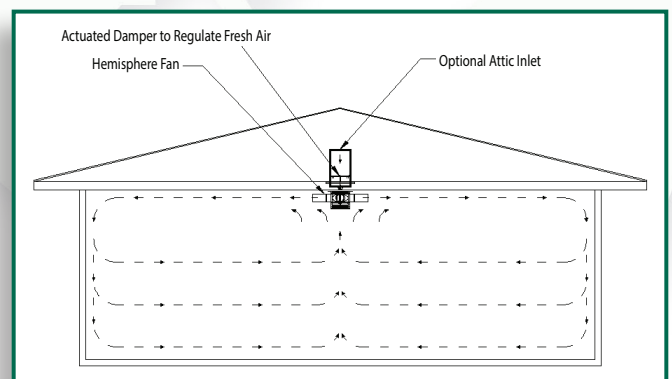


Improve Your Winter Ventilation!

Control the Wind™ with the
VAL-CO® Hemisphere® Mixing Fan

- VAL-CO proprietary technology developed for whole house air mixing.
- Two sizes, 48" and 72" diameters, cover a wide range of applications.
- Ideal for **layer pullet, layer, and floor bird** applications.
- VAL-CO's innovative design dramatically reduces temperature variations in the facility by moving a large volume of air with minimal drafts.
 - Growers report **down to 2** degrees of temperature difference throughout layer and pullet houses.
 - Growers report **more than 10%** improvement in manure belt moisture removal.
 - Growers report **more than 1/2 LB/100** improved feed conversion.
- Large diameter rotors (48" & 72") and slower rotation promotes quiet operation that does not disturb birds.
- **Controls circulation** through the entire building volume with minimal dead spots, improving heat distribution considerably.
- Optional **dampened** air inlet introduces air from attic or outside.
 - Controls fresh air inlet volume.
 - Provides a method to mix the warmest air in the house with fresh outside air before contacting the birds; significantly reducing drafts and cold zones during minimum ventilation.
 - Can eliminate the need for other inlets during initial stages of minimum ventilation.
 - **House winter air exchange required determined by moisture and CO2 requirements.**
- Exhaust fan efficiency improves and electrical load reduced due to very low static pressure operation.
- Robust design and materials ensure years of trouble free operation.
- Precision machined hub keeps rotor turning true.
- Optional VFD controls for variable speed operation available. (Ideal for pullets.)
- System can be interfaced with existing whole house controls.

*This diagram shows the
airflow pattern of this
proprietary technology.*



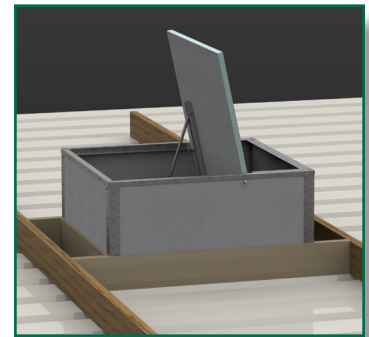
Performance You Can Count On



VFD Controls for variable speed operation

Chimney Kits and Accessories

Item No.	Description
Attic Inlet & Chimney Kits	
812340	30" Attic Inlet
812245	24" Chimney Kit, for Attic
812265	24" Chimney Kit, w/ Dome, Bird Netting & Flashing
812365	36" Chimney Kit, for Attic
812385	36" Chimney Kit, w/ Dome, Bird Netting & Flashing
Accessories	
921893	VFD; 200-240 V, 1PH input, 7.0 Amp Out Max.
922139	VFD; 200-240 V, 3PH input, 7.0 Amp Out Max
921885	Manual Fan Speed Reference Control Station



Attic Inlet

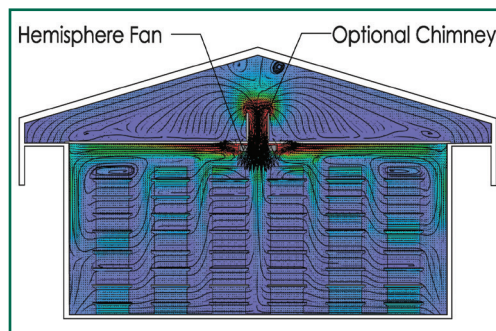
Hemisphere Fan Models

Item Number / Description	CFM (est.)	HP	Frequency (Hz)	Phase	Voltage	Weight (lbs.)	VFD Controllable
972420 48" High Capacity, w/ Wire Guard	32,000	1.5	60	1	115/ 208-230	300	N
972180 48" High Capacity, w/ Wire Guard	32,000	1.5	60	3	208- 230/460	300	Y
972280 72" Std. Capacity, w/ Wire Guard	45,500	1.5	60	1	115/- 208-230	450	N
972120 72" Std. Capacity, w/ Wire Guard	45,500	1.5	60	3	208- 230/460	420	Y
972160* 72" High Capacity, w/ Wire Guard	59,500	3	60	3	208- 230/460	550	Y

* FL Amps 15-14.4/7.2

** FL Amps 14/7

Protected under
U.S. Patent No. 9,163,639 B2
& U.S. Patent No. 9,829,003 B2
European Patent
No. EP 2 817 570 B1



Note: Protective cage removed to show product.

Call your local **VAL-CO** representative or distributor for more information on these and our other fine products.



North America:
Phone: 800-99VALCO (800-998-2526)
Fax: (+1) 419-678-2200
E-mail: sales@val-co.com

International:
Phone: (+1) 419-678-8731
Fax: (+1) 419-678-2200
E-mail: intl.sales@val-co.com