



# The New Standard in High Performance Chick Feeding!

The UltraStart Chick Feeder from VAL-CO®

*The UltraStart Chick Feeder  
provides your birds  
with plenty of clean feed.*

The UltraStart Chick Feeder from VAL-CO features a unique kidney shape that allows the feeder to be situated on the feed line between pan feeders. It's designed for use by chicks 1 to 12 days old and can be filled manually or automatically. The UltraStart Chick Feeder supplies your broilers with uncontaminated feed and allows them to grow faster in a cleaner environment. Additional accessory options mean that you can fit the feeder to your specific needs.

*The UltraStart Chick Feeder and  
its accessories are covered under one  
or more of the following patents:  
US 9,392,772 B2; D710,059.*

- *43 inches (110cm) of trough means more feeding space for chicks than competitors*
- *Each pan can accommodate 30 chicks*
- *Each feeder can hold 12.28 lbs of feed without the extension and 29.40 lbs with the extension (based on standard 40 lbs/cubic ft feed)*
- *Keeps feed clean to reduce contamination and likelihood of disease*

Additional options:

- *Hopper extension to hold additional feed for remote placement*
- *No-stoop handles to easily pick up the feeders*
- *Kit to allow feeder to be stored on the feed line (shown here)*
- *Kit to allow feeder to be stored below the feed line between flocks*
- *Feed line shut off*

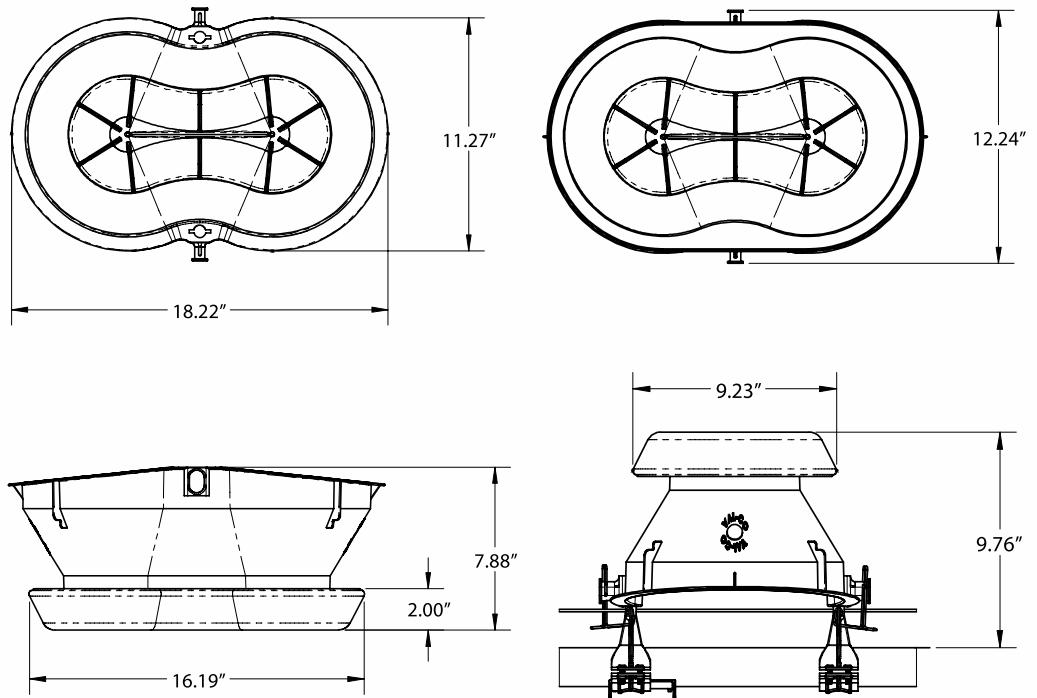


**Performance You Can Count On**

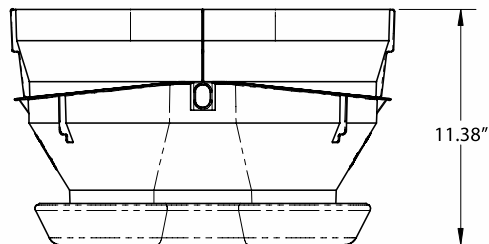


## Dimensions

The UltraStart Chick Feeder:



The UltraStart Chick Feeder height with Extension Hopper:



Call your local **VAL-CO** representative or distributor for more information on this and other fine quality products.

### North America:

Phone: 800-99VALCO (800-998-2526)

Fax: (+1) 419-678-2200

E-mail: sales@val-co.com

### International:

Phone: (+1) 419-678-8731

Fax: (+1) 419-678-2200

E-mail: intl.sales@val-co.com



The UltraStart Feeder with the optional hopper extension.



Performance You Can Count On

www.val-co.com