



## SECTION 33 POLAIR HIGH PRESSURE FOG SYSTEM

### IN THIS CATALOG SECTION

PAGE NUMBER	CONTENTS
33-02	Pumps
33-03	Filters
33-04	Controls, Sensors, Valves, Hoses, Main Line
33-05	Maintenance - Pump Oil, Regulators, Nozzles
33-06	Atomization Lines
33-07 thru 33-08	Fittings
33-09	Tools
33-10	Suspension Hardware
33-11	Low Pressure Sentry Disinfectant Delivery System

**Please call customer service or your local representative for assistance  
 in quoting & ordering PolAir High Pressure Fog Systems.**

VAL-CO HIGH PRESSURE FOG					
Pump Pressure		Nozzle Design Flow			
PSI	BAR	GPM	GPH	LPM	LPH
1000	70	0.0233	1.40	0.0830	5.3
1500	105	0.0323	1.94	0.1217	7.3

Assumptions:

---> Nozzle design estimated at 200psi system pressure drop

---> Nozzle flow at Pump Pressure minus 100 psi



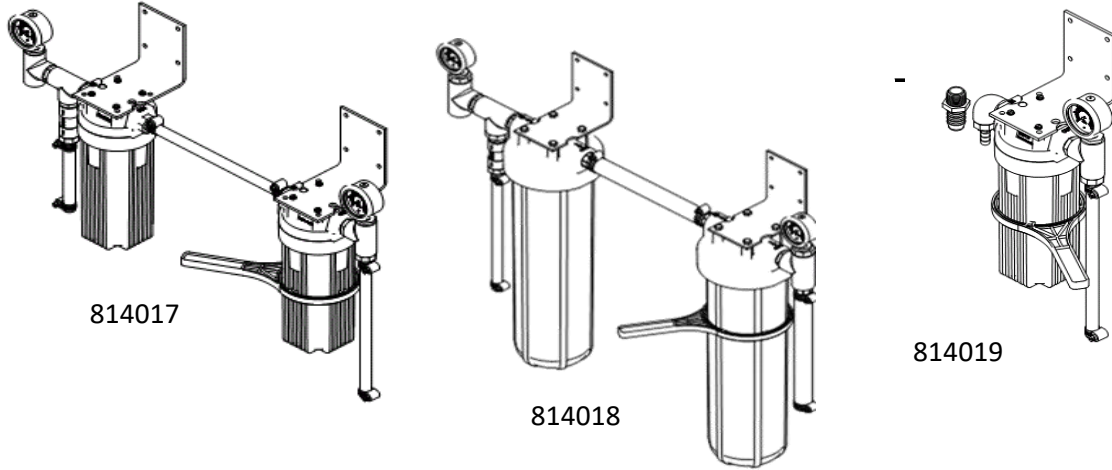
## POLAIR HIGH PRESSURE FOG SYSTEM SYSTEM COMPONENTS

### PUMP KITS

*Unless otherwise stated, pumps do NOT include filter kits or controls*

CATALOG #	Pressure (PSI)	Horsepower	Phase	Full Load Amps (A)	Input Hose Barb (in.)	SHIP WEIGHT		LIST PRICE
	Flow Rate (GPM)	Voltage (V)	Frequency (Hz)	400HC Req'd.	Output Fitting (MNPT in.)	LBS.	KG.	
<b>1P / 50Hz</b>								
814045	1000	0.75	1	10/5	0.5	130.0	58.9	
	0.35	110/220	50	None Includes: VE-010-001 23A	0.5			
<b>1P / 60Hz</b>								
814050	1000	0.75	1	8.4 / 4.2	0.50	126.1	57.2	
	0.45	115/208-230	60	None Includes: VE-010-001 23A	0.50			
814065	1000	3.0	1	28/15.5-14	0.50	157.0	71.2	
	2.1 - 3.7	115/208/230	60	43A / 23A	0.50			
814080	1000	5	1	25-23	0.50	206.0	93.4	
	3.3 - 6.0	208-230	60	43A	0.50			
814085	1000	7.5	1	31-29	0.75	345.0	156.5	
	4.9 - 8.9	208-230	60	43A	0.50			
814105	1000	10	1	38	1.00	441.3	200.2	
	7.2 - 12.9	230	60	43A	0.75			
<b>3P / 50Hz</b>								
814057	1000	2.0	3	6-5.8/2.9	0.50	76.0	34.5	
	0.9-1.6	190/380	50	23A	0.50			
814055	1000	3.0	3	8.5 - 4.9	0.50	152.0	68.9	
	1.8 - 3.1	230/400	50	23A	0.50			
814070	1000	5.0	3	13.8 / 8	0.50	208.0	94.3	
	2.8 - 5.0	230/400	50	23A	0.50			
814090	1000	7.5	3	11.2	0.75	354.7	160.9	
	4.3 - 7.8	400	50	23A	0.50			
<b>3P / 60Hz</b>								
814060	1000	3.0	3	9-8.4 / 4.2	0.50	147.7	67.0	
	2.1 - 3.8	208-230/460	60	23A	0.50			
814075	1000	5	3	13.9-13.4/6.7	0.50	200.0	90.7	
	3.4 - 6.1	208-230/460	60	23A	0.50			
814095	1000	7.5	3	19.8-19/9.8	0.75	398.5	180.8	
	5.0 - 9.0	208-230/460	60	23A	0.50			
814120	1000	15	3	38-36/18	1.00	502.3	227.9	
	15	208-230/460	60	43A / 23A	0.75			
814130	1000	15	3	38-36/18	1.00	530.6	240.7	
	11 - 19.8	208-230/460	60	43A / 23A	0.75			
814200	1500	15	3	38-36/19	1.00	563.8	255.7	
	7.3 - 13.1	208-230/460	60	43A	0.75			

## POLAIR HIGH PRESSURE FOG SYSTEM SYSTEM COMPONENTS



### FILTER KITS

*Filter kits include filters and wrench for filter housing(s)*

CATALOG #	ITEM DESCRIPTION	SHIP WEIGHT		LIST PRICE
		LBS.	KG.	
814017	Filter kit, 8 GPM Max, 5 & 1 micron .75" FNPT in, 0.5" hose out	15.1	6.8	
814018	Filter Kit, 30 GPM Max, 5 & 1 micron 1" FNPT in, 1" hose out	45.0	20.4	
814019	Filter Kit, 8GPM, Scale Inhibit, 1/2" or 1" HB in, 1/2" hose out, incl. 1 PM3P775 filter	11.0	5.0	

### WATER TREATMENT - SCALE REMOVAL

*For systems under 8GPM use PM3P775 filter cartridge for scale control. Larger systems use PM10TS Dispensing system and treatment solution*

CATALOG #	ITEM DESCRIPTION	SHIP WEIGHT		LIST PRICE
		LBS.	KG.	
814019	Filter Kit, 8GPM, Scale Inhibit, 1/2" or 1" HB in, 1/2" hose out, incl. 1 PM3P775 filter	11.0	5.0	
PM10TS	Water Treatment System - incl. 230VAC pump, PMCPABU1	25.0	11.3	
PMCPABU1	Water Treatment Solution - 5 Gallon (PF) Treats up to 80,000 gallons at 3 ppm concentration	50.0	22.7	
PMOTKU62	Parafos Test Kit - Use with water treatment solution to determine residual levels - 40 tests/kit	0.0	0.0	

### MAINTENANCE - FILTERS

CATALOG #	ITEM DESCRIPTION	SHIP WEIGHT		LIST PRICE
		LBS.	KG.	
PM3P775	Scale Inhibitor Filter 10"	1.1	0.5	
PMCLR1-10	1 Micron Water Filter 10"	0.4	0.2	
PMCLR-1-20	1 Micron Water Filter 20"	0.8	0.4	
PMFILT1MBIGBLUE	1 Micron Water Filter 20" wide (4.5")	2.2	1.0	
PMCLR-5-10	5 Micron Water Filter 10"	0.4	0.2	
PMCLR-5-20	5 Micron Water Filter 20" standard	0.8	0.4	
PMFILT5MBIGBLUE	5 Micron Water Filter 20" wide (4.5")	2.2	1.0	
PMCLR10-10	10 Micron Water Filter 10"	0.4	0.2	
PMCLR10-20	10 Micron Water Filer 20"	0.7	0.3	
PMFILTERWRENCH	Wrench for Standard Blue Housing	0.2	0.1	
PMBIGBLUEWRENCH	Wrench for Big Blue & Yellow Housings	0.2	0.1	

## POLAIR HIGH PRESSURE FOG SYSTEM SYSTEM COMPONENTS

### CONTROLS

400HC has inputs for up to 2 temp sensors and 1 Rh sensor or 2 external on/off signals  
 400HC can control up to (2) Zone Valves

CATALOG #	ITEM DESCRIPTION	SHIP WEIGHT		LIST PRICE
		LBS.	KG.	
VE-010-000	POLAIR 400HC - No Contactor - 2 Stages Cooling	8.5	3.9	
VE-010-001	POLAIR 400HC - 23 Amp - 2 Stages Cooling	9.0	4.1	
VE-010-101	POLAIR 400HC - 43 Amp - 2 Stages Cooling	9.0	4.1	
VE-010-201	POLAIR 400HC - 60 Amp - 2 Stages Cooling	9.0	4.1	

### SENSORS

CATALOG #	ITEM DESCRIPTION	SHIP WEIGHT		LIST PRICE
		LBS.	KG.	
SR-017-100	Temp Sensor	0.2	0.1	
921799	Relative Humidity Sensor - Water Resistant	1.0	0.5	
PA-56	Relative Humidity Sensor - Dust Tight	0.5	0.2	
ZC1150R	Sensor Wire - Per Foot	0.0	0.0	
ZC1150RL	Sensor Wire - 1,000 Foot Roll	20.0	9.1	
WS-27	Scotchlok - Wire Connector	0.0	0.0	

### ZONE VALVES

Note that improper use of zone valves may result in significantly reduced pump life if zone valves cause pump to recirculate more than 50% of total pump output

CATALOG #	ITEM DESCRIPTION	SHIP WEIGHT		LIST PRICE
		LBS.	KG.	
PM1SC	1SC 24 Volt Zone Valve Snap Action	7.6	3.5	
PM1SCMTR24V1500CD	1SC 24 Volt Motorized Zone Valve - slow opening	8.4	3.8	
814005	Repair Kit, SS Zone Valve, For PM1SCMTR24V1500CD	1.0	0.5	

### DRAIN VALVES

No more than (1) automatic drain valve for every GPM of pump flow

CATALOG #	ITEM DESCRIPTION	SHIP WEIGHT		LIST PRICE
		LBS.	KG.	
PMDV15-1	Automatic Drain Valve for 1/2" Atomization Line	2.3	1.1	
PMDVREPAIRKIT	Drain Valve Repair Kit for PMDV15-1	0.0	0.0	
PMDVWS	Drain Valve Washer - Split for PMDV15-1	0.0	0.0	
PMRBFLUSHKIT	Manual Drain Valve	2.3	1.1	

### FLEXIBLE HIGH PRESSURE HOSES & BALL VALVES

CATALOG #	ITEM DESCRIPTION	SHIP WEIGHT		LIST PRICE
		LBS.	KG.	
PMHPHOSE40	High press. Flex hose - 1/2" MNPT swivel ends - 40" L	1.2	0.6	
PMHPHOSE3/4	High press. Flex hose - 3/4" MNPT swivel ends - 36" L	1.3	0.6	
PMBVL	High press. Locking Ball Valve, Brass - 1/2" FNPT ports	0.6	0.3	
PMBVSS1/2	High press. Ball Valve, SS - 1/2" FNPT ports	0.6	0.3	
PMBVL3-8	High press. Ball Valve, Brass - 3/8" FNPT ports	0.6	0.3	

### MAIN LINE

CATALOG #	ITEM DESCRIPTION	SHIP WEIGHT		LIST PRICE
		LBS.	KG.	
814192	Tube, 20' x 1/2" O.D. x .028" Wall 304 Stainless Steel	2.9	1.3	
814194	Tube, 20' x 1/2" O.D. x .035" Wall 316 Stainless Steel	3.6	1.6	
814011	Tube, 3/4" OD 0.035W 18'L 316SS	4.9	2.2	

## POLAIR HIGH PRESSURE FOG SYSTEM SYSTEM COMPONENTS

### MAINTENANCE - PUMP OIL

*Pump oil should be changed after the first 50 hrs. and regularly every 300 hrs. or 3 months, whichever comes first*

CATALOG #	ITEM DESCRIPTION	SHIP WEIGHT		LIST PRICE
		LBS.	KG.	
PMCAT6107	Cat Pump oil - ISO 68 - 21 oz (625cc) bottle	1.3	0.6	
814173	30W Oil, Non-detergent - 16 oz (475cc) bottle	1.0	0.6	
814177	50w Oil, GP SERIES 220, 2.5 Gallon	25.0	0.6	
814178	50w Oil, GP SERIES 220, 16OZ	1.2	0.6	
PMGPOIL100734	80/90W Oil, Non-detergent - 1 X 2.5 gal (9.45l) bottles	1.1	0.5	
PMGPOIL100735	80/90W Oil, Non-detergent - 2 X 2.5 gal (9.45l) bottles	41.8	19.0	
PMCAT34334	Drain Kit, Oil, CAT Pumps - No oil included	0.8	0.4	

PUMP #	ITEM DESCRIPTION	OIL REQUIRED	VOLUME
814045	PUMP HPF, Demo 1000PSI,0.35GPM .75HP, 110/220V, 1PH, 50HZ	814173	11.8 fl. Oz.
814050	PUMP HPF, Demo,1000PSI 0.45GPM .75HP, 115/208-230V, 1PH, 60HZ	814173	11.8 fl. Oz.
814055	PUMP, HPF, 1000PSI, 1.8-3.1GPM 3HP, 230/400V, 3PH, 50HZ	814173	14 fl. Oz.
814060	PUMP, HPF, 1000PSI, 2.1-3.8GPM 3HP, 208-230/460V, 3PH, 60HZ	814173	14 fl. Oz.
814065	PUMP HPF, 1000PSI, 2.1-3.7GPM 3HP, 115/208-230V, 1PH, 60HZ	814173	14 fl. Oz.
814070	PUMP, HPF, 1000PSI, 2.8-5.0GPM 5HP, 230/400V, 3PH, 50HZ	814173	37.2 fl. Oz.
814075	PUMP, HPF, 1000PSI, 3.4-6.1GPM 5HP, 208-230/460V, 3PH, 60HZ	814173	37.2 fl. Oz.
814080	PUMP HPF, 1000PSI, 3.3-6.0GPM 5HP, 208-230V, 1PH, 60HZ	814173	37.2 fl. Oz.
814085	PUMP HPF, 1000PSI, 4.9-8.9GPM 7.5HP, 208-230V, 1PH, 60HZ	814173	37.2 fl. Oz.
814090	PUMP, HPF, 1000PSI, 4.3-7.8GPM 7.5HP, 400V, 3PH, 50HZ	814173	37.2 fl. Oz.
814095	PUMP, HPF, 1000PSI, 5-9GPM 7.5HP, 208-230/460V, 3PH, 60HZ	814173	37.2 fl. Oz.
814105	PUMP HPF, 1000PSI, 7.2-12.9GPM 10HP, 230V, 1PH, 60HZ	814177 / 814178	64.2 fl. Oz.
814120	PUMP HPF, 1000PSI, 15GPM, 15HP 208-230/460V 3PH 60HZ	814177 / 814178	64.2 fl. Oz.
814200	PUMP HPF 1500PSI 7.3 - 13.1GPM 15HP 208-230/460V 3PH 60HZ	814177 / 814178	64.2 fl. Oz.

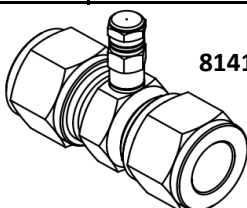
### MAINTENANCE - REGULATORS

*Regulators should be oiled every month with 4 drops of light household oil*

CATALOG #	ITEM DESCRIPTION	SHIP WEIGHT		LIST PRICE
		LBS.	KG.	
PMBR5-2	Pressure Regulator, 5GPM (19 lpm), 750-2000psi (51 - 138 bar)	1.4	0.6	
PMBR5-2REB	Rebuild Kit, Pressure Regulator, 5GPM, 750-2000psi	1.4	0.6	
PMBR10-2	Pressure Regulator, 10GPM (38lpm), 750-2000psi (51 - 138 bar)	2.5	1.1	
PMBR10-2REB	Rebuild Kit, Pressure Regulator, 10GPM, 750-2000psi	0.0	1.1	
PMCAT7022	Pressure Regulator, 2.5 - 25 GPM (9 - 95 lpm), 500-2000psi (35 - 138 bar)	5.0	2.3	
PMCAT7595	Relief Valve, 53GPM max, 100-2600psi, 3/4" inlet, 1/2" outlet	1.8	0.8	

### MAINTENANCE - NOZZLE LINES

CATALOG #	ITEM DESCRIPTION	SHIP WEIGHT		LIST PRICE
		LBS.	KG.	
814012R	Nozzle Assembly, 303 SS body and seals w/ check valve	0.0	0.1	
814184	1/2" Compression Brass Union with a Nozzle Assembly	0.3	0.1	
PMNS-F303	Seal, Flanged, 303SS for 814012 nozzle	0.0	0.1	
PMPLUG	Nozzle Plug, 303SS body and seal	0.0	0.1	
PMVC-312-8	Cap, Plastic, Re-useable for Nozzle protection	0.0	0.1	
PMNOZ8BRUSH	Wire Brush, SS, Special Nozzle Cleaning, Plastic Handle	0.0	0.1	



**814184**

**814012R**



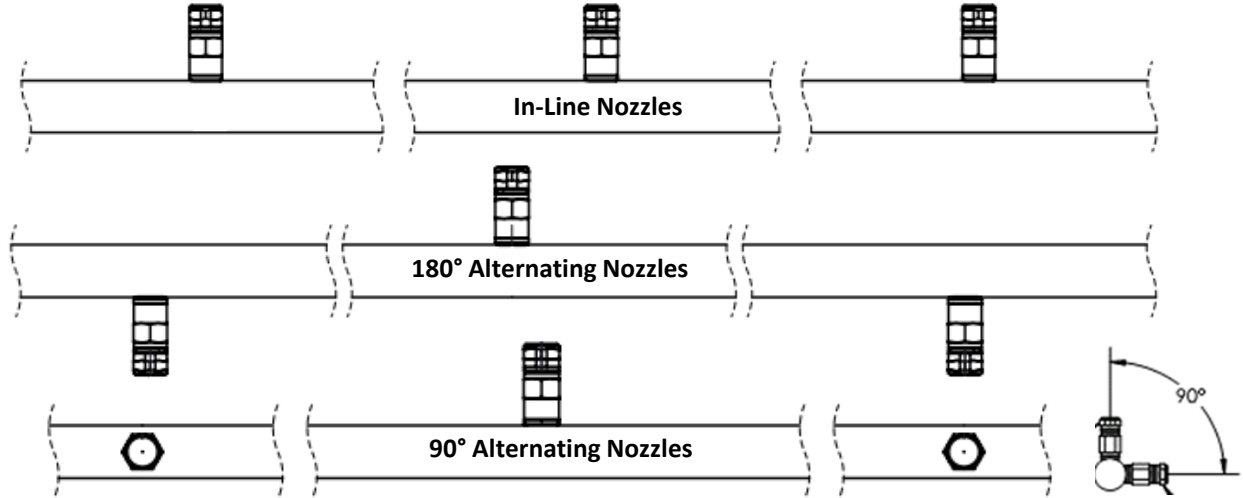
**PMNS-F303**



**PMPLUG**

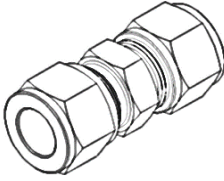
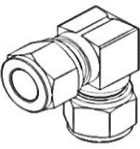
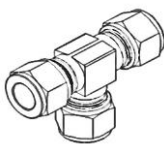


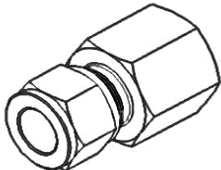
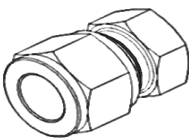
## POLAIR HIGH PRESSURE FOG SYSTEM ATOMIZATION LINES

**20' x 1/2" O.D. x .035" Wall 316 Stainless Steel Tube**

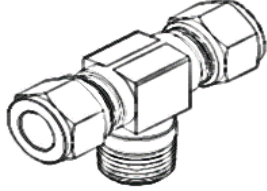
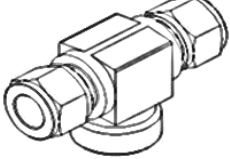
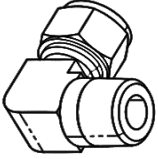
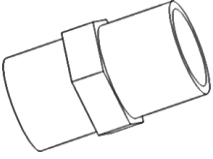
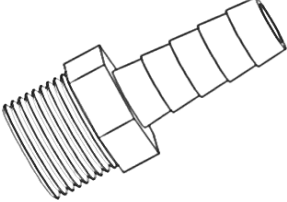
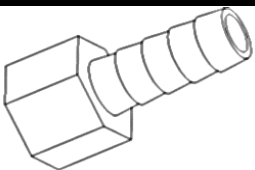
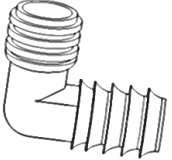


Description	Ship Weight		In-Line Nozzle		180° Alternating Nozzles		90° Alternating Nozzles	
	Lbs	Kgs	Part Number	List Price	Part Number	List Price	Part Number	List Price
1 Nozzle 240.0" SPACING	3.82	1.73	814211-001					
2 Nozzle 120.0" SPACING	3.84	1.74	814211-002		814212-002		814213-002	
3 Nozzle 80.0" SPACING	3.86	1.75	814211-003		814212-003		814213-003	
4 Nozzle 60.0" SPACING	3.87	1.76	814211-004		814212-004		814213-004	
5 Nozzle 48.0" SPACING	3.89	1.76	814211-005		814212-005		814213-005	
6 Nozzle 40.0" SPACING	3.90	1.77	814211-006		814212-006		814213-006	
7 Nozzle 34.3" SPACING	3.92	1.78	814211-007		814212-007		814213-007	
8 Nozzle 30.0" SPACING	3.94	1.79	814211-008		814212-008		814213-008	
9 Nozzle 26.7" SPACING	3.95	1.79	814211-009		814212-009		814213-009	
10 Nozzle 24.0" SPACING	3.97	1.80	814211-010		814212-010		814213-010	
11 Nozzle 21.8" SPACING	3.98	1.81	814211-011		814212-011		814213-011	
12 Nozzle 20.0" SPACING	4.00	1.81	814211-012		814212-012		814213-012	
13 Nozzle 18.5" SPACING	4.02	1.82	814211-013		814212-013		814213-013	
14 Nozzle 17.1" SPACING	4.03	1.83	814211-014		814212-014		814213-014	
15 Nozzle 16.0" SPACING	4.05	1.84	814211-015		814212-015		814213-015	
16 Nozzle 15.0" SPACING	4.06	1.84	814211-016		814212-016		814213-016	
17 Nozzle 14.1" SPACING	4.08	1.85	814211-017		814212-017		814213-017	
18 Nozzle 13.3" SPACING	4.10	1.86	814211-018		814212-018		814213-018	
19 Nozzle 12.6" SPACING	4.11	1.86	814211-019		814212-019		814213-019	
20 Nozzle 12.0" SPACING	4.13	1.87	814211-020		814212-020		814213-020	
21 Nozzle 11.4" SPACING	4.14	1.88	814211-021		814212-021		814213-021	
22 Nozzle 10.9" SPACING	4.16	1.89	814211-022		814212-022		814213-022	
23 Nozzle 10.4" SPACING	4.18	1.90	814211-023		814212-023		814213-023	
24 Nozzle 10.0" SPACING	4.19	1.90	814211-024		814212-024		814213-024	

## POLAIR HIGH PRESSURE FOG SYSTEM SYSTEM COMPONENTS FITTINGS



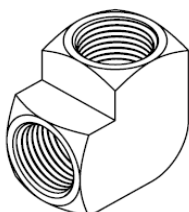
ITEM DESCRIPTION		MATERIAL	CATALOG NUMBER	LIST PRICE	
Tube Straight		1/2" Tube - 1/2" Tube	St. Steel	PMSS8U316	
			Brass	PMCF20	
		3/4" Tube - 1/2" Tube	St. Steel	PMSS12RU8316	
			Brass	PM12RU8	
		3/4" Tube - 3/4" Tube	St. Steel	PMSS12U316	
			Brass	PM12UBR	
Tube Elbow		1/2" Tube	St. Steel	PMSS8LU316	
			Brass	PMCF21	
		3/4" Tube	St. Steel	PMSS12LU316	
			Brass	PM12LUBR	
Tube Tee		1/2" Tube	St. Steel	PMSS8TTT316	
			Brass	PMCF22	
		3/4" Tube	St. Steel	PMSS12TTT316	
			Brass	PM12TTTBR	
Tube Cross		1/2" Tube	St. Steel	PMSS8C316	
			Brass		
		3/4" Tube	St. Steel	PMSS12C316	
			Brass		
Tube to MNPT		1/2" Tube - 3/8" MNPT	St. Steel	PMSS8CM6316	
			Brass	PMCF10	
		1/2" Tube - 1/2" MNPT	St. Steel	PMSS8CM8316	
			Brass	PMCF24	
		3/4" Tube - 1/2" MNPT	St. Steel		
			Brass	PM12CM8BR	
		3/4" Tube - 3/4" MNPT	St. Steel	PMSS12CM12316	
			Brass		
		1" Tube - 1" MNPT	St. Steel	PMSS16CM16316	
			Brass		
Tube to FNPT		1/2" Tube - 1/2" FNPT	St. Steel	PMSS8CF8316	
			Brass	PMCF23	
		1/2" Tube - 3/4" FNPT	St. Steel		
			Brass	PMCF8CF12BR	
		3/4" Tube - 3/4" FNPT	St. Steel		
			Brass	PM12CF12BR	
Tube Cap		1/2" Tube	St. Steel	PMSS8CP316	
			Brass	PMCF8CPBR	
		3/4" Tube	St. Steel	PM12CP	
			Brass		

## POLAIR HIGH PRESSURE FOG SYSTEM SYSTEM COMPONENTS FITTINGS

ITEM DESCRIPTION		MATERIAL	CATALOG NUMBER	LIST PRICE
<b>Tube T X MNPT</b>		1/2" Tube x 3/8" MNPT	St. Steel	
			Brass	PMCF28
		1/2" Tube x 1/2" MNPT	St. Steel	PMSS8ST8316
			Brass	PMCF25
		3/4" Tube x 1/2" MNPT	St. Steel	
			Brass	PM12TTM8BR
<b>Tube T X FNPT</b>		1/2" Tube x 3/8" MNPT	St. Steel	
			Brass	
		1/2" Tube x 1/2" MNPT	St. Steel	PMSS8TTF8316
			Brass	
<b>Elbow to MNPT</b>		1/2" Tube x 1/2" MNPT	St. Steel	PMSS8LM8316
			Brass	PMCF26
			St. Steel	
			Brass	
<b>FNPT X FNPT</b>		1/2" FNPT - 1/2" FNPT	St. Steel	PMSC36906113
			Brass	PMBFCOUPPING1/2
		3/4" FNPT - 3/4" FNPT	St. Steel	
			Brass	PMBFCOUPPING3/4
		1" FNPT - 1" FNPT	St. Steel	
			Brass	
<b>MNPT X HB</b>		1/2" MNPT - 1/2" Hose	St. Steel	
			Brass	PMHB1/2
		3/4" MNPT - 3/4" Hose	St. Steel	
			Brass	PMHB3/4
		1" MNPT - 1" Hose	St. Steel	
			Brass	PMHB1
<b>FNPT X HB</b>		1/2" FNPT - 1/2" Hose	St. Steel	
			Brass	PMHB1/2F
		3/8" FNPT - 1/2" Hose	St. Steel	
			Brass	
<b>MNPT X HB 90°</b>		1/2" MNPT - 3/8" Hose	St. Steel	
			Brass	PMHB1/2X3/890
		1/2" MNPT - 1/2" Hose	St. Steel	
			Brass	PMHB1/290



## POLAIR HIGH PRESSURE FOG SYSTEM SYSTEM COMPONENTS FITTINGS

ITEM DESCRIPTION		Material	CATALOG NUMBER	LIST PRICE
Tube Ferrules		1/2" SS		
		Front	PM8FF316	
Tube Ferrules		3/4" SS		
		Front	PM12FF316	
Brass Elbow FNPT		3/4" SS		
		Rear	PM12FR316	
		1/2" FNPT x 1/2" FNPT		
		St. Steel	PMELBOW1/2SS	
		Brass	PMBF90X1/2	
		St. Steel		
		3/4" FNPT x 3/4" FNPT		
		Brass	PMBF90X3/4	

### TOOLS

CATALOG #	ITEM DESCRIPTION	SHIP WEIGHT		LIST PRICE
		LBS.	KG.	
PMPIPECUTTER	SS Pipe Cutter	1.0	0.45	
PMFLEXTUBECUTTER	Nylon Tubing Cutter	0.1	0.05	
VC300	Cable Cutter, Manual, 3/16" - Model RC-8	0.0	0.00	
PM8-2829S-1	Tube Bender 1/2"	0.0	0.00	
PMTEF30	Teflon Tape, Roll, 1/2" x 520"	0.0	0.01	

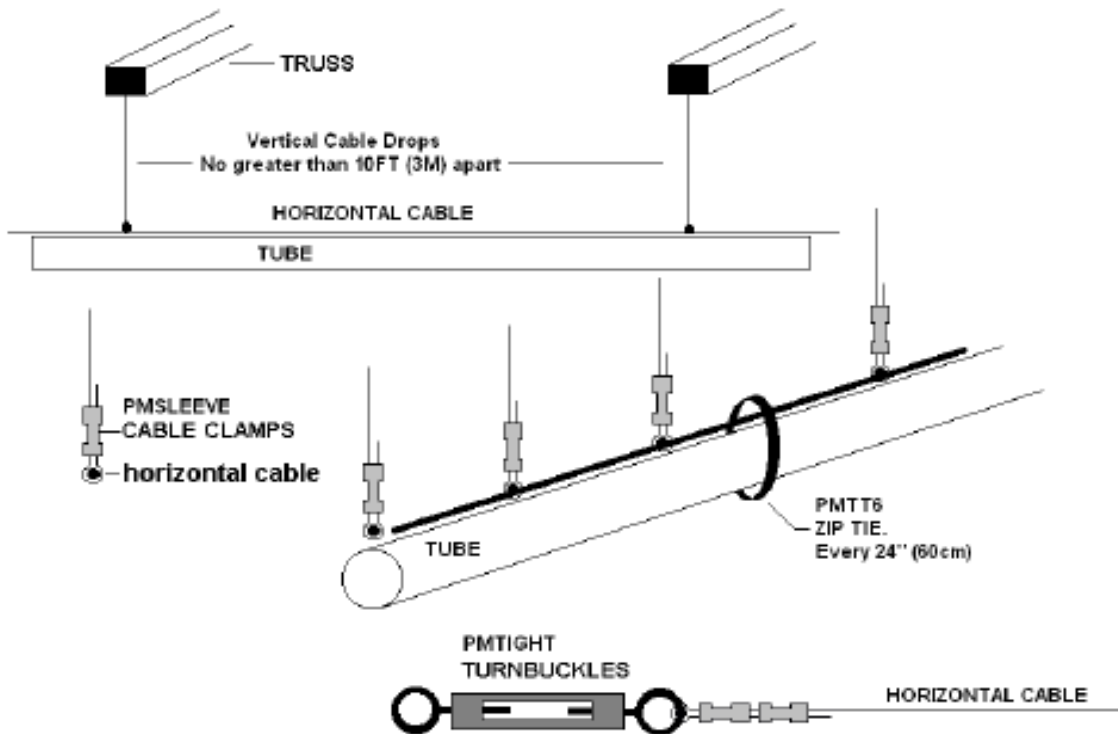
## POLAIR HIGH PRESSURE FOG SYSTEM SYSTEM COMPONENTS

### SUSPENSION HARDWARE

Support HPF tubing every 6' if directly attached to a solid structure;

Support every 2' if attached to a horizontal cable, cable attached every 8' to a solid structure

CATALOG #	ITEM DESCRIPTION	SHIP WEIGHT		LIST PRICE
		LBS.	KG.	
PMKGHK4	Tube Clamp, Rubber-lined, Single, 1/2" with Mounting Baseplate	0.2	0.11	
PMKGHK5	Tube Clamp, Rubber-lined, Double, 1/2" with Mounting Baseplate	0.3	0.13	
PMKGHK6	Tube Clamp, Rubber-lined, Single, 3/4" with Mounting Baseplate	0.0	0.00	
PMKGHK7	Tube Clamp, Rubber-lined, Double, 3/4" with Mounting Baseplate	0.0	0.00	
PMSTRAP375	Tube Strap, 3/8"	0.0	0.01	
PMSTRAP50	Tube Strap, Rubber-lined, 1/2" - Box of 100	1.8	0.80	
PMSTRAP75	Tube Strap, 3/4" - Box of 100	2.2	1.00	
690175	Screw, #12 X 1-1/2, TEK, Plate Hex Washer Head	0.0	0.01	
PM2H4CADDY	Hanger Clip, Hammer-On, 3/32" - 9/64" Thickness Flange	0.0	0.00	
PM4H24CLIP	Hanger Clip, Hammer-On, 1/4" Thickness Flange	0.0	0.01	
PMCABL1000SS	Cable, SS, 7 X 7, 1/16" - 1000' Roll	7.7	3.48	
PMTIGHT	Cable Tightener, 9" - for SS Cable (1 for every 100' of cable)	0.8	0.36	
PMSLEEVE	Cable Sleeve, Aluminum - for SS Cable (requires swage tool)	0.0	0.00	
PMTT6	Wire Tie, UV-Resistant, Black, 7.5"	0.0	0.00	

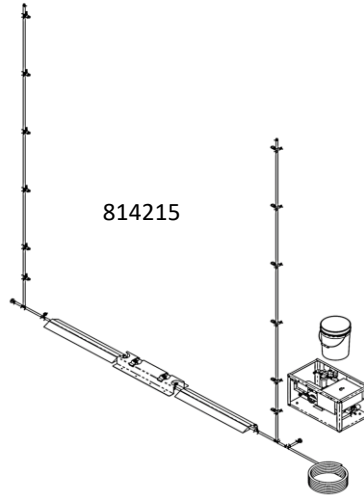


**VERTICAL CABLE DROPS AND HORIZONTAL CABLE RUNS**

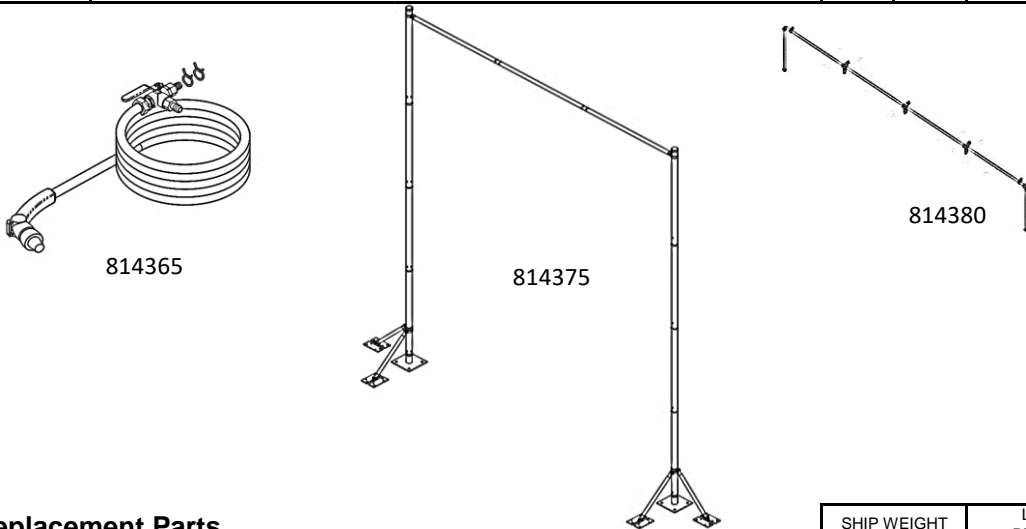
## SENTRY PLUS

### Automatic Disinfectant Delivery System & Components

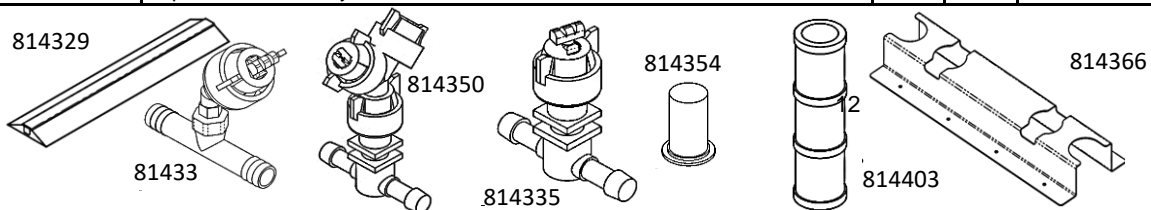
Base Package		SHIP WEIGHT		LIST PRICE
		LBS.	KG.	
814215	Sentry Plus System - 230V 60Hz Single Phase with Electric Eye Sensor <i>Includes: Pump, Controller, Filtration System, Nozzles, Hose, 2 Automatic Sensors, Chemical Injectors and Ramps</i>	14.6	6.64	



Accessories		SHIP WEIGHT		LIST PRICE
		LBS.	KG.	
814375	Sentry Plus Galvanized Frame Assembly 12' wide x 15' tall opening	142.0	64.41	
814365	8	16.8	7.60	
814380	Sentry Plus Top Nozzle Line Kit	4.0	1.81	



Replacement Parts		SHIP WEIGHT		LIST PRICE
		LBS.	KG.	
814366	Sentry Nozzle Guard	14.6	6.64	
814329	Sentry Ramp 38.5" long x 8.125" wide x 1.75" tall (2 per system)	11.2	5.08	
814350	Top Nozzle - Split Y 80 Degree	0.2	0.07	
814335	Side Nozzle - 110 Degree Dual Angle	0.1	0.04	
814330	Bottom Nozzle - 45 Degree Angle	0.1	0.03	
814354	50 Mesh replacement Nozzle Filter	0.0	0.00	
814403	50 Mesh replacement Strainer Filter	1.0	0.47	
814352	Replacement Hose by the Foot - 200 PSI EPDM	0.2	0.10	





---

**This Page Intentionally Left Blank**