
SECTION 29 INLETS

IN THIS CATALOG SECTION

PAGE NUMBER	CONTENTS
29-02	Sidewall Inlets - 9" Accuflow Curved, Galvanized, and TPI Inlets
29-03	12" Vinyl Inlets & Molded Wall Inlet & Accessories
29-04	12" Vinyl Continuous Inlets
29-05	Air Inlet Kits
29-06	Insulated Tunnel Inlet Doors
29-07	Ceiling Inlets
29-08	Chimneys
29-09 & 10	Curtains - Generating a Curtain Part Number
29-11	Curtain Components
29-12	Ceiling Material & Accessories
See Fan Section - 28	Hemisphere Fan Attic Inlets

9" CURVED INSULATED SIDEWALL INLETS



9" SIDEWALL INLET, INSULATED DOOR WITH FRAME

CATALOG #	ITEM DESCRIPTION	Qty	CFM @ 0.1 SP	Max Airflow Effective H	Max Airflow Effective W	ROUGH OPENING DIMENSIONS		SHIP WEIGHT		LIST PRICE
						Height	Width	LBS.	KG.	
810022-Q4	CURVED INLET, 9" X 20"	4	921	8.85"	20"	11.25"	22.5"	25.0	11.3	
810009-Q4	CURVED INLET, 9" X 42"	4	1938	8.85"	42"	11.25"	44.5"	41.0	18.6	
810023-Q4	CURVED INLET, 9" X 54"	4	2489	8.85"	54"	11.25"	56.5"	58.4	26.5	
810022-Q120	CURVED INLET, 9" X 20" - 30 box of 4	120	921	8.85"	20"	11.25"	22.5"	777.3	352.6	
810009-Q92	CURVED INLET, 9" X 42" - 23 box of 4	92	1938	8.85"	42"	11.25"	44.5"	809.2	367.1	
810023-Q80	CURVED INLET, 9" X 54" - 20 box of 4	80	2489	8.85"	54"	11.25"	56.5"	1,198.1	543.4	

Note: Inlets sold in boxes of four inlets only. Color is Black.

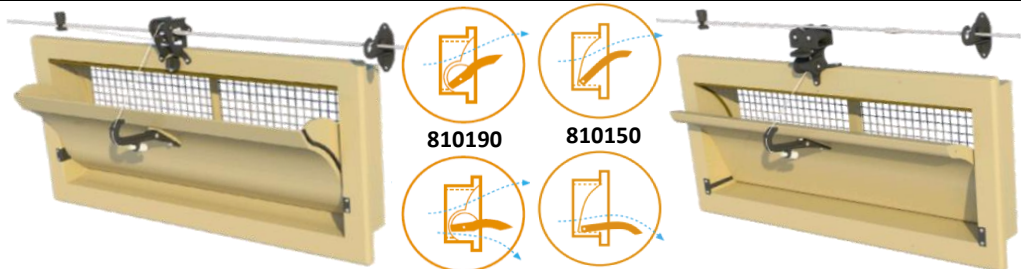
Note: Mounting Hardware not included. Actuation cord is provided up to attachment to homerun line.

SEPARATE FRAMED BIRD SCREEN ONLY FOR INLET

CATALOG #	ITEM DESCRIPTION	Qty	Max Airflow Effective H	Max Airflow Effective W	ROUGH OPENING DIMENSIONS	SHIP WEIGHT	LIST PRICE
					E F	LBS. KG.	
810046-Q4	BIRD SCREEN, CURVED INLET	4	9.36"	18"	11.25" 22.5"	5.7 2.6	
810042-Q4	BIRD SCREEN, CURVED INLET	4	9.36"	36.5"	11.25" 44.5"	10.0 4.5	
810047-Q4	BIRD SCREEN, CURVED INLET	4	9.36"	46.6"	11.25" 56.5"	12.4 5.6	

Note: Color is black

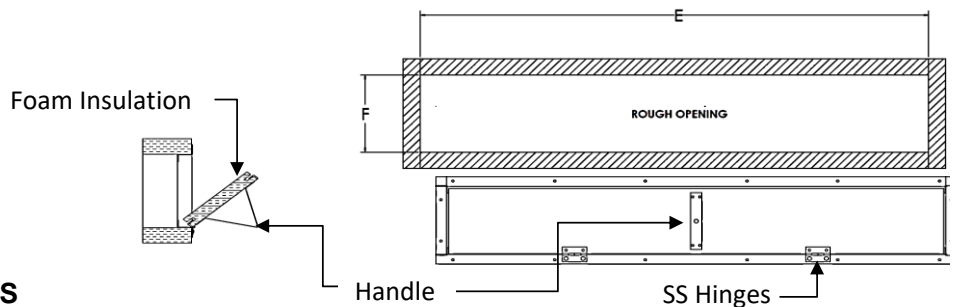
Note: Mounting Hardware not included.



TPI SIDEWALL INLETS

CATALOG #	ITEM DESCRIPTION	CFM @ 0.1 SP	Max Airflow Effective H	Max Airflow Effective W	ROUGH OPENING DIMENSIONS		SHIP WEIGHT		LIST PRICE
					E	F	LBS.	KG.	
810150	Curve Inlet with Bottom Hinge - Tan (Includes: Connection Kit, Pulley, Closing Catch & Wire Mesh)	2693	12.2"	31.3"	34.2	15.2	9.2	4.2	
810190	Curve Inlet with Mid Hinge - Tan (Includes: Control Arm, Nylon Cord, Clamp, Pulley, Closing Catch with Spring & Wire Mesh)	2693	12.2"	31.3"	34.2	15.2	10.8	4.9	
810240	Main Cable Support						0.1	0.0	

GALVANIZED INLETS

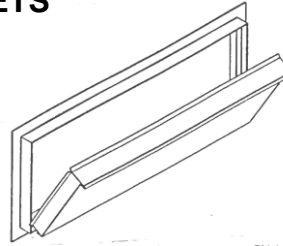


GALVANIZED SIDEWALL INLETS

CATALOG #	ITEM DESCRIPTION	CFM @ 0.1 SP	Max Airflow Effective H	Max Airflow Effective W	ROUGH OPENING DIMENSIONS		SHIP WEIGHT		LIST PRICE
					E	F	LBS.	KG.	
450657	45.75" x 4.75" Door Size	845	44.75"	3.625"	46-1/2"	5-1/4"	0.0	0.0	
450686	41.75" x 6.75" Door Size	1194	40.75"	5.625"	42-1/2"	7-1/4"	15.8	7.1	
450631	43.75" x 6.75" Door Size	1252	42.75"	5.625"	44-1/2"	7-1/4"	16.9	7.6	
450648	45.75" x 6.75" Door Size	1311	44.75"	5.625"	46-1/2"	7-1/4"	16.9	7.6	
450656	53.75" x 6.75" Door Size	1545	52.75"	5.625"	54-1/2"	7-1/4"	17.9	8.1	
450709	57.75" x 6.75" Door Size	1663	56.75"	5.625"	58-1/2"	7-1/4"	14.0	6.3	

Note: Mounting Hardware not included.

12" VINYL INLETS



12" DOOR & FRAME ALL VINYL INSULATED INLET (SEE INFO BELOW TO ORDER WITH SCREENED FRAME)

CATALOG #	ITEM DESCRIPTION	CFM @ 0.1 SP	Max Airflow Effective W	Max Airflow Effective H	Rough Opening		LIST PRICE WITHOUT SCREEN	LIST PRICE WITH SCREEN*
					Width	Height		
VAI12INLET21	12" X 21" Door (14" x 24" Frame Size), Black	1275	21.1"	11.6"	21"	12"		
VAI12INLET33	12" X 33" Door (14 x 36" Frame Size), Black	2000	33.1"	11.6"	33"	12"		
VAI12INLET45	12" X 45" Door (14 x 48" Frame Size), Black	2725	45.1"	11.6"	45"	12"		

* To include screened frame, add "S" to the end of the catalog number; example, VAI12INLET21S

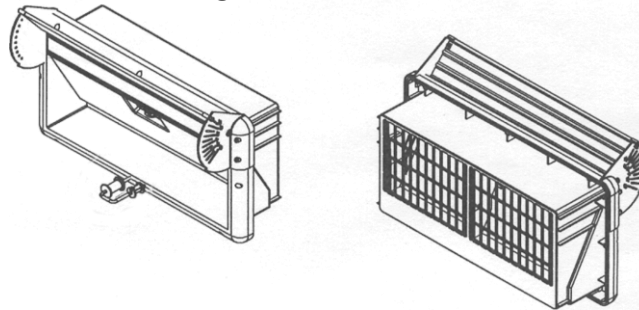
Note: Mounting Hardware not included.

12" INLET DOOR - ALL VINYL INSULATED INLET WITH HINGE - FRAMELESS

CATALOG #	ITEM DESCRIPTION	CFM @ 0.1 SP	Max Airflow Effective H	Max Airflow Effective W	Rough Opening		SHIP WEIGHT		LIST PRICE
					Height	Width	LBS.	KGS.	
810170	Inlet Door Assembly, 12" x 48" Black Door with Black Hinge and End Caps	2845	11.5"	47.5"	11.5"	47.5"	4.72	2.14	
810183	Inlet Door Assembly, 12" x 94" Black Door with Black Hinge and End Caps	5600	11.5"	93.5"	11.5"	93.5"	8.80	3.99	
810185	Inlet Door Assembly, 12" x 94" White Door with Black Hinge and End Caps	5600	11.5"	93.5"	11.5"	93.5"	8.80	3.99	

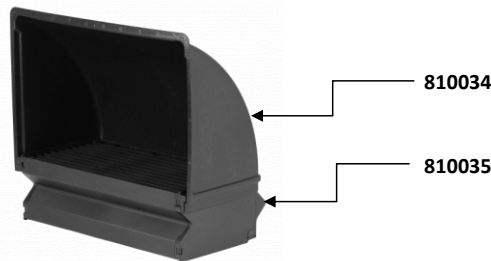
Note: Mounting Hardware not included.

MOLDED WALL INLET



Molded Wall Inlet

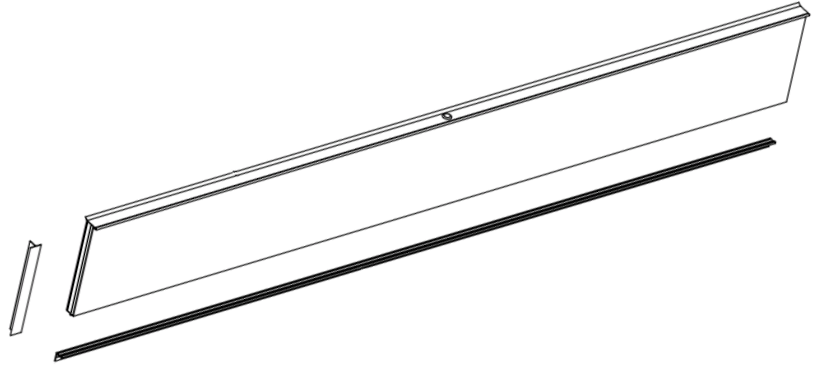
CATALOG #	ITEM DESCRIPTION	CFM @ 0.1 SP	Max Airflow Effective W	Max Airflow Effective H	Rough Opening		SHIP WEIGHT		LIST PRICE
					Width	Height	LBS.	KGS.	
VW1190-Q5	Molded Wall Inlet Assembly Quantity of 5	446	15.09"	5.67"	21-3/4"	10-3/8"	44.0	20.0	



Weatherhood and Light Trap Accessories

CATALOG #	ITEM DESCRIPTION	SHIP WEIGHT		LIST PRICE
		LBS.	KGS.	
810034	Weatherhood, 24.5" wide X 16.5" tall (Fits over VW1190, 810022, VAI12INLET21)	2.9	1.3	
810035	Light Trap, 24.5" X 13.5" x 1" Spacing (use with 810034)	5.7	2.6	
810214	Weatherhood, 43.3" wide x 28.9" tall x 14.5" Deep (Fits over 810150 and 810190)	8.0	3.6	
810215	Suspension Brackets (2) to Support (1) 810214	3.0	1.4	
810216	Light Trap for 810214	18.1	8.2	
810217	Side Wall Inlet OmniFlux, Actuated Close, 3767 CFM @ .16SP Horizontal	11.4	5.2	
810218	Suspension Brackets (2) to Support (1) 810217	2.0	0.9	
810219	Light Trap for 810220	10.0	4.5	
810220	Weatherhood, 38.4" x 37.0" x 24.3" Deep	10.0	4.5	
VAIPLATCH	Plastic Vent Latch (works with Curved Inlets & 12" Vinyl)	0.0	0.0	

12" CONTINUOUS VINYL INLET KITS



12" CONTINUOUS INLET DOOR ALL VINYL INSULATED INLET WITH HINGE

CATALOG #	ITEM DESCRIPTION	Rough Opening Height	SHIP WEIGHT		LIST PRICE
			LBS.	KGS.	
VAI12SWSI96K	Continuous Inlet End Kit, 12" x 96" Black Door, with black Hinge & End Caps	11.5"	9.7	4.4	
VAI12SWCI96K	Continuous Inlet Kit, 12" x 96" Black Door and Hinge	11.5"	8.7	3.9	
810178	Continuous Inlet Kit, 12" x 96" White Door with Black Hinge	11.5"	8.8	4.0	
810180	Continuous Inlet End Kit, 12" x 96" White Door with Black Hinge & End Caps	11.5"	9.9	4.5	

Note: Mounting Hardware not included.

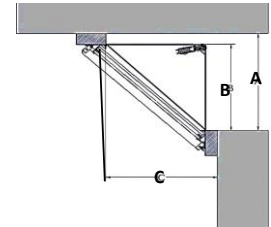
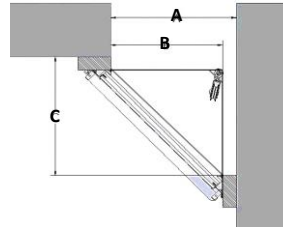
AIR INLET KITS

CATALOG #	ITEM DESCRIPTION	CFM @ 0.1 SP	Max Airflow Effective H	Max Airflow Effective W	ROUGH OPENINGS			SHIP WEIGHT		LIST PRICE
					A	B	C	LBS.	KG.	
680129	9" Air Inlet Kit x 4' Long	1982	8.9"	42.75"	9.6"	8.1"	9.6"	0.0	0.0	
680127	12" Air Inlet Kit x 4' Long	2650	11.9"	42.75"	13.4"	11.9"	13.4"	12.0	5.4	

Mounting Hardware not included



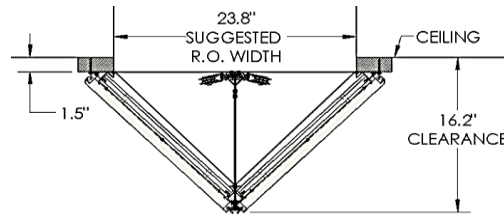
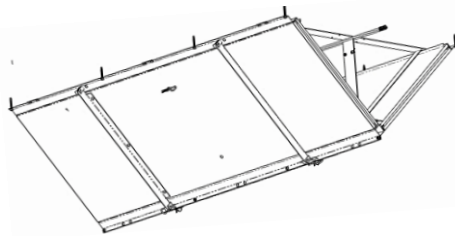
680127



Dual Air Inlet Kits

CATALOG #	ITEM DESCRIPTION	CFM @ 0.1 SP	Max Airflow Effective H	Max Airflow Effective W	SHIP WEIGHT		LIST PRICE
					LBS.	KG.	
680382	12" Back-to-Back Air Inlet Kit x 4"	5300	23.8"	42.75"	37.0	16.8	

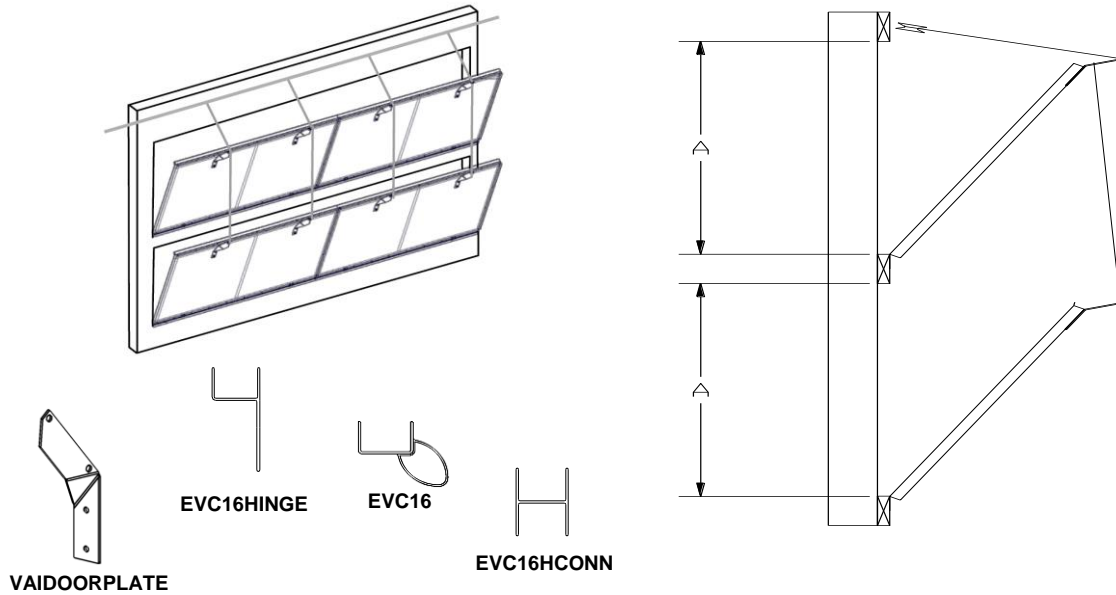
Mounting Hardware not included



Inlet Accessories

CATALOG #	ITEM DESCRIPTION	SHIP WEIGHT		LIST PRICE
		LBS.	KG.	
810165	12" Air Inlet Bi-Directional Seal Kit	1.1	0.5	
680130	9" Air Inlet End Cap Kit (1 Kit per Row Required)	1.1	0.5	
680128	12" Air Inlet End Cap Kit (1 Kit per Row Required)	2.0	0.9	

INSULATED TUNNEL INLET DOORS



ALL VINYL INSULATED INLET KITS (SHIPPED UNASSEMBLED)

CATALOG #	ITEM DESCRIPTION	Max Airflow Height @ 45° Open	Rough Opening (A)	SHIP WEIGHT		LIST PRICE
				LBS.	KGS.	
VAI24INLET96K	24" Tall x 96" Long (4' of EVC16 needed per group of Doors to cover the ends)	16.26"	23"	45.7	20.7	
VAI36INLET96K	36" Tall x 96" Long (6' of EVC16 needed per group of Doors to cover the ends)	24.75"	35"	34.1	15.5	
VAI48INLET96K	48" Tall x 96" Long (8' of EVC16 needed per group to cover the ends)	33.23"	47"	43.2	19.6	
VAI60INLET96K	60" Tall x 96" Long (10' of EVC16 needed per group to cover the ends)	41.72"	59"	52.3	23.7	

Mounting Hardware not included

For every group of Doors ordered, (2) x the height of the door in feet of EVC16 is needed to cover the ends.

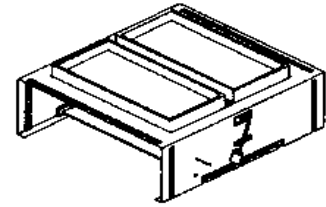
INSULATED DOOR PARTS

CATALOG NUMBER	ITEM DESCRIPTION	Quantity Per Door	SHIP WEIGHT		LIST PRICE
			LBS.	KGS.	
EVC16	Door Top & End Edge Cover With Flexible Seal (Per Foot)	8	0.1	0.1	
EVC16HINGE	Door Continuous Hinge (Per Foot)	8	0.2	0.1	
EVC16HCONN	Door H Connector (Per Foot)	3	0.1	0.1	
VAIDOORPLATE	Cable Bracket	2	0.9	0.4	
VAIVEB10	Stiffening Strip	1	1.0	0.5	
VAHXHDSR10X12P	#10 x 1" Hex Head Self Drilling Screw	12	0.0	0.0	
VAIHBLT3/8X1-3/4	3/8"-16 x 1-3/4" Hex Bolt (for Cable Bracket)	4	0.1	0.0	
VAILKNUT3/8	3/8"-16 Nylon Lock Nut (for Cable Bracket)	4	0.0	0.0	
VAIBACKPLATE	Back-up Plate for VAIDOORPLATE	2	0.3	0.1	
VAIDOORSCREW	#8 x 1/2" Pan Head Phillips Screw	63	0.0	0.0	
450621	Stainless Steel Hinge	2	0.0	0.0	
VB125	Clamp Nut, 7/16" Small	2	0.0	0.0	
VB126	Clamp Bolt, 7/16" Small, Long Slot	2	0.0	0.0	

See catalog section 19 for additional winching parts that may be needed for your installation.

CEILING INLETS

Bi-Flo Ceiling Inlet



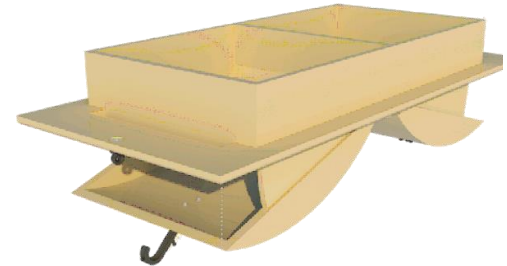
CEILING COUNTER WEIGHTED CEILING INLETS CLAD VALVE

Obsolete Inlet - limited quantities

CATALOG #	ITEM DESCRIPTION	CFM @ 0.1 SP	Max Airflow W	Max Airflow L	Rough Opening		SHIP WEIGHT		LIST PRICE
							LBS.	KGS.	
I306C	Bi-Flo Ceiling Inlet	1200	10.5"	21.68"	12-7/8"	22-5/8"	11.0	5.0	\$ 409.73

Sold individually. Price includes insulation collar.

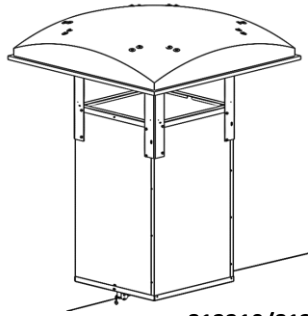
Mounting Hardware not included



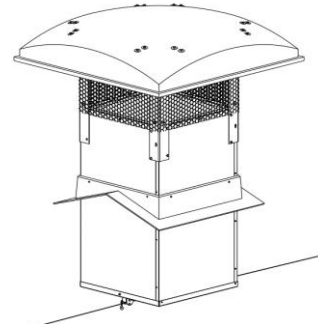
TPI CEILING INLETS

CATALOG #	ITEM DESCRIPTION	CFM @ 0.05 SP	CFM @ 0.10 SP	CFM @ 0.15 SP	Rough Opening		SHIP WEIGHT		LIST PRICE
							LBS.	KGS.	
810210	Bi-Flo Ceiling Inlet	2104	2976	3646	20.28"	39.69"	12.6	5.7	
810204	Ceiling Inlet Connection Kit (need (2) for each 810210)						0.0	5.7	

CHIMNEYS



812210/812310



812240/812360

NaturalFlo 24" CHIMNEYS

CATALOG #	ITEM DESCRIPTION	Rough Opening		SHIP WEIGHT		LIST PRICE
				LBS.	KGS.	
812210	24" Chimney, Shaft, Damper and Dome	27-1/2"	27-1/2"	72.5	32.9	
812240	24" Chimney Kit - Includes roof flashing and Stainless Steel bird netting	27-1/2"	27-1/2"	85.3	38.7	

24" Chimney Options

812220	24" Chimney Bird Netting Kit - PVC Coated 20GA Galv Wire			15.4	7.0	
812222	24" Chimney Bird Netting Kit - 20G 304 Stainless Steel			2.4	7.0	
812225	24"/36" Chimney Bird Spike 304SS			1.5	0.7	
812230	24" Chimney Roof Peak Flashing			15.4	7.0	
R702	24" Chimney Winter Door			3.0	1.4	
812250	4' Tall 24" Chimney Extension			35.8	1.4	
812121	24" Bird Netting Corner Bracket			0.6	1.4	

Repair Items

812051	Chimney Repair Parts Kit (Includes hardware, pulleys, springs, hinge, cables, etc.)			1.4	0.6	
ZR1710	24" Chimney Dome			20.3	9.2	
ZR1768	24" Chimney Dome Mounting Bracket			2.8	1.3	
812054-Q2	24" Aluminum Skin Chimney Wrap Kit, 24" Tall - Quantity 2			34.4	1.3	
812059-Q2	24" Aluminum Skin Chimney Wrap Kit, 30" Tall - Quantity 2			42.9	1.3	

NaturalFlo 36" CHIMNEYS

CATALOG #	ITEM DESCRIPTION	Rough Opening		SHIP WEIGHT		LIST PRICE
				LBS.	KGS.	
812310	36" Chimney, Shaft, Damper and Dome	36-1/2"	36-1/2"	119.8	54.4	
812360	36" Chimney Kit - Includes roof flashing and Stainless Steel bird netting	36-1/2"	36-1/2"	141.6	63.0	

36" Chimney Options

812320	36" Chimney Bird Netting Kit - PVC Coated 20GA Galv Wire			3.2	2.3	
812322	36" Chimney Bird Netting Kit - 20G 304 Stainless Steel			6.9	2.3	
812225	24"/36" Chimney Bird Spike 304SS			1.5	0.7	
812330	36" Chimney Roof Peak Flashing			21.4	9.7	
R712	36" Chimney Winter Door			3.0	1.4	

Repair Items

812051	Chimney Repair Parts Kit (Includes hardware, pulleys, springs, hinge, cables, etc.)			1.4	2.3	
ZR1710A	36" Chimney Dome			51.8	0.6	
812026	36" Chimney Dome Mounting Bracket			3.6	1.6	
812114-Q6	36" Aluminum Skin Chimney Wrap Kit, 24" Tall - Quantity 6			156.0	1.3	

Complete chimneys 812240 and 812360 include:
 4' shaft, damper, dome, dome mounting brackets, perimeter bird netting, roof flashing,
 actuation cords and pulleys up to homerun line & assembly hardware.

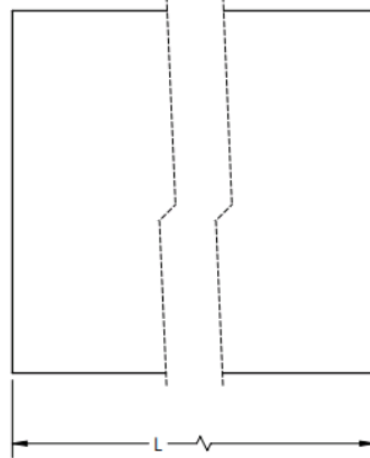
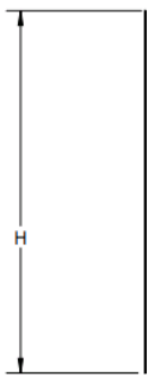
Hardware for mounting to the rough opening is not included.

CURTAINS

How to Generate a Curtain Part Number

Part Number:	
1. All part numbers start with "816-10"	816-10
2. Choose a nominal height	
Rule: Must be 2 ft to 9 ft tall in foot increments.	
"02" for 2 feet tall	816-1002
"03" for 3 feet tall	816-1003
"04" for 4 feet tall	816-1004
"05" for 5 feet tall	816-1005
"06" for 6 feet tall	816-1006
"07" for 7 feet tall	816-1007
"08" for 8 feet tall	816-1008
"09" for 9 feet tall	816-1009
3. Choose a Material/Color	
"2" for Black Poly-plus .009" thick curtain (5.6 OZ/SQ-YD)	816-10022
"3" for Blue Poly-plus .010" thick curtain (5.3 OZ/SQ-YD)	816-10023
"4" for Black/White Poly-plus .009" thick curtain (5.8 OZ/SQ-YD)	816-10024
"81" for Clear Medium-Duty .010" thick curtain (5.3 OZ/SQ-YD)	816-100281
4. Choose a Length	
Rule: Lengths are 40 ft to 200 ft in increments of 20', then 200 ft to 700 ft in increments of 50'	
"-040" would mean 40'	816-10022-040
"-150" would mean 150'	816-10022-150
Examples: If you want a 65 ft long curtain, you would order 80'. If you want a 465 ft long curtain, you would order 500'.	
5. Choose the number of Hems	
Rule 1: No "-3-1836" hem curtains under 6 feet nominal height Rule 2: No "-3-1836" hem curtains over 300 feet long	
"-0" means no hems (nominal height = final height)	816-10022-040-0
"-1" means 1 hem at the top. (this will subtracts 3" from the nominal height to get the final height) Example: 816-10023-080-1 has a final height of 1'9".	816-10023-080-1
"-3-1836" means 3 hems with 1 being at the top, one being 18" down from the top and 1 being 36" down from the top. This will subtract 15" from the nominal height to get the final height. Example: 816-100681-250-3-1836 has a final height of 4'9".	816-100681-250-3-1836
Final Examples:	
816-10022-040-0	CURTAIN,BLACK(5.6OZ),40'X 2'0",W/NO HEM
816-10023-080-1	CURTAIN,BLUE(5.3OZ),80'X 1'9",W/SGL HEM
816-100681-250-3-1836	CURTAIN,CLEAR(5.3OZ),250'X 4'9",W/SGL+2MID-HEMS 18&36"
Additional Information:	
Aprons have 1 hem so please use parts ending in "-1" as equivalent End Pockets do not have hems so use parts ending in "-0" as equivalent	
For inquiries of taller, longer, or different materials than what is listed above, please contact Product Management.	
For any questions on quoting, please contact Application Engineering.	

CURTAINS



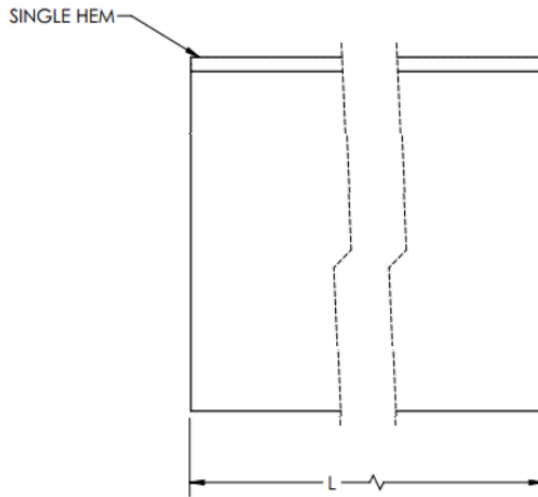
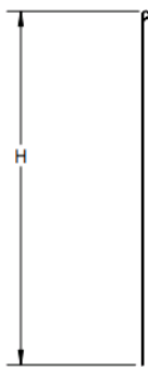
816-100Z2-YYY-0

100Z2: Black Poly-Plus 0.009" Thick (5.6oz/SQ-YD)

- 10022: H = 2'
- 10032: H = 3'
- 10042: H = 4'
- 10052: H = 5'
- 10062: H = 6'
- 10072: H = 7'
- 10082: H = 8'
- 10092: H = 9'

YYY: L =Length in Feet]
 (if "YYY" is 160 then L-160'

Example: 816-10092-160-0
 9' Tall Black Curtain 160' Long No Hem



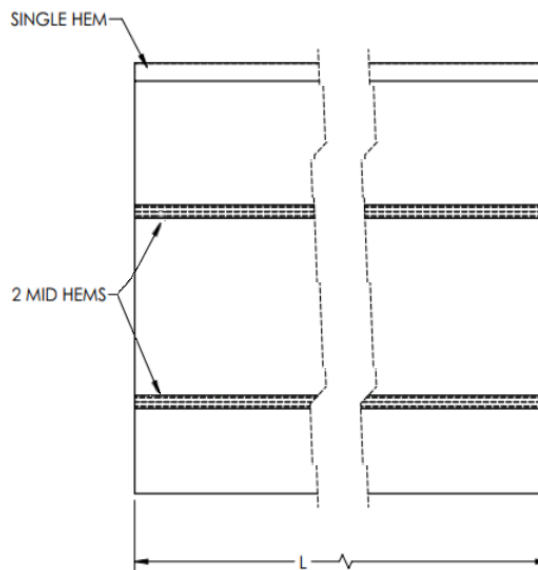
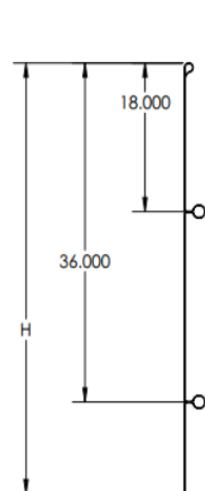
816-100Z3-YYY-1

100Z3: Blue Poly-Plus 0.010" Thick (5.3oz/SQ-YD)

- 10023: H = 1' 9"
- 10033: H = 2' 9"
- 10043: H = 3' 9"
- 10053: H = 4' 9"
- 10063: H = 5' 9"
- 10073: H = 6' 9"
- 10083: H = 7' 9"
- 10093: H = 8' 9"

YYY: L =Length in Feet
 (if "YYY" is 200 then L-200'

Example: 816-10063-200-1
 5' 9" Tall Blue Curtain 200' Long Single Hem



816-100Z3-YYY-3-1836

100Z4: Black/White Poly-Plus 0.009" Thick
 (5.8oz/SQ-YD)

- 10064: H = 4' 9"
- 10074: H = 5' 9"
- 10084: H = 6' 9"
- 10094: H = 7' 9"

YYY: L =Length in Feet
 (if "YYY" is 250 then L-250'

Example: 816-10074-250-3-1836
 5' 9" Tall Black/White Curtain 250' Long
 Single Hem & 2 Mid Hems @ 18" & 36"

Curtain Components

CATALOG NUMBER	ITEM DESCRIPTION	SHIP WEIGHT		LIST PRICE
		LBS.	KGS.	
816001-1000	Cord, 1/8" x 1000', Polyester Needle Braid, White	3.9	1.8	
816002-0500	Cord, 1/8" x 500', Polyester Diamond Braid, White	2.8	1.3	
816003-1000	Cord, 3/16" x 1000', Polyester Diamond Braid, White	12.5	5.7	
816004-0500	Cord, 3/16" x 500', Polyester Diamond Braid, White	7.0	3.2	
816005	Screw Hook, .225" x 3-1/2" 1/2" Eye, Zinc Plated	0.1	0.0	
816006	Hook, Rope & Pulley	0.1	0.1	
816007	Tool, Sta-Kon Crimping 1/8" & 3/16"	1.3	0.6	
816008	Sta-Kon, 1/8", Regular	0.0	0.0	
816009	Sta-Kon, 1/8", Open, ZP (Best for Repairs)	0.0	0.0	
816010	Sta-Kon, 3/16", Regular	0.0	0.0	
816011	Bracket, Winch Mounting	2.6	1.2	
816012	Pulley, 7/8", Nylon, Swivel Galv Housing	0.0	0.0	
816013	Pulley, 2-1/2", Steel Sheave Galv Straps	0.5	0.2	
816014	Pulley, 3-1/2", Cast Iron Sheave Galv Straps W/Bolt	1.3	0.6	
816015	Nut, Hex, 3/8", ZP	0.0	0.0	
816016	Screw, Self-Drill, #10 x 1" W/ Neoprene Washer	0.0	0.0	
816017	Bolt, Lag, 3/8x3", ZP	0.1	0.0	
816018	Washer, Flat, 3/8"	0.0	0.0	
816019	Bolt, Hex Head, 5/16-18 x 1", ZP Full Thread	0.0	0.0	
816020	Bolt, Hex Head, 3/8-16x1-1/2", ZP	0.1	0.0	
816021	Clamp, For 1/8" Cable, Galv	0.0	0.0	
816022	Clamp, For 1/8" Cable, SS	0.0	0.0	
816023	Clamp, For 3/16" Cable, Galv	0.1	0.0	
816024	Clamp, For 3/16" Cable, SS	0.1	0.0	
816025	Conduit, .706" (1/2") x 10', Swaged, Galv	3.0	1.4	
816026-0250	Cable, 1/8" x 250', 7x7, Galv	10.0	4.5	
816026-0500	Cable, 1/8" x 500', 7x7, Galv	18.0	8.2	
816026-1000	Cable, 1/8" x 1000', 7x7, Galv	35.0	15.9	
816026-2500	Cable, 1/8" x 2500', 7x7, Galv	82.0	37.3	
816026-5000	Cable, 1/8" x 5000', 7x7, Galv	150.0	68.2	
816027-0500	Cable, 1/8" x 500', 7x7, SS	19.0	8.6	
816027-1000	Cable, 1/8" x 1000', 7x7, SS	32.0	14.5	
816027-2500	Cable, 1/8" x 2500', 7x7, SS	70.0	31.8	
816028-0500	Cable, 3/16" x 500', 7x7, Galv	37.0	16.8	
816028-1000	Cable, 3/16" x 1000', 7x7, Galv	68.0	30.9	
816028-2500	Cable, 3/16" x 2500', 7x7, Galv	163.0	74.1	
816029-0500	Cable, 3/16" x 500', 7x19, SS	33.0	15.0	
816029-1000	Cable, 3/16" x 1000', 7x19, SS	64.0	29.1	
816029-2500	Cable, 3/16" x 2500', 7x19, SS	166.0	75.5	
816030	Winch, 1200Lb, 4.1:1, 9.5" Handle Windlift	6.7	3.1	
816031	Winch, 1400Lb, 4.1:1, 9.5" Handle Windlift	6.7	3.1	
816032	Nail, Curtain, 1-1/4" Long Plastic Cap, Box Of 2000	10.0	4.5	
816033	Staple, Fence, 1-1/2", Per Lb	1.0	0.5	
816034	Turnbuckle, 5/16" x 6-1/4", Hook and Eye	0.2	0.1	



CEILING MATERIAL

Ordering Instructions

Step 1: Determine width of ceiling in feet. Divide by 12 and round up. That is how many rolls of Tri-Ply are needed.

Step 2: Determine length of building. Order the next longest Tri-Ply length. (Thicker Tri-Ply can hold more insulation without sagging.)

Step 3: Take your length (in feet) X width (in feet) to get your square footage divide by 13,000 ft² and round up to get number of boxes of staples needed.

Step 4: Take the number of rolls of tri-ply minus 1 to get the number of seams that will be on the ceiling. Multiply that by the length of the house to get total number of feet of seams. Divide that by 165 to get number of rolls of tape. It is good to get 1 to 2 extra rolls of tape.

Step 5: Strapping is recommended to be spaced 6" apart if holding R18 insulation or more, 8" apart if holding less. Take the width of the house in feet and multiply by 2 to get number of rows of strapping if spacing 6" apart and multiply by 1.5 to get number of rows if spacing 8" apart. Take number of rows X length of building in feet and divide by 12,000 to get number of rolls of strapping needed (round up).

Step 6: Multiply the number of rolls of strapping needed by 12, then add the number of rows of strapping which was calculated in step 5 to that number, then add 50 as spares to determine how many strapping seals are needed.

Ceiling Material - Woven Polyethylene

CATALOG #	ITEM DESCRIPTION	SHIP WEIGHT		LIST PRICE
		LBS.	KG.	
818000-405	TRI-PLY, 12' 6" X 405' X .006" - Black/White Woven	142.00	64.41	
818000-505	TRI-PLY, 12' 6" X 505' X .006" - Black/White Woven	177.00	80.29	
818000-605	TRI-PLY, 12' 6" X 605' X .006" - Black/White Woven	212.00	96.16	

Accessories

818006	Tape, White, 4" X 165', Woven	1.60	0.73	
818007	Tape, Black, 4" X 165', Woven	1.60	0.73	
818008	Strapping, Polyester, Green, 1/2" x 12,000' x .015"	55.00	24.95	
818009	Staple, Galv., 1" Crown, 1" Leg - (Box of 10,000)	23.00	10.43	
818010	Stapler, For 1" Wide Crown x 1-1/4" Leg Staples	5.00	2.27	
818011	Heavy Duty Strapping Tensioner	6.00	2.72	
818012	Strapping Seal, for 1/2" Strap (Individual)	0.01	0.00	
818013	Strapping Sealer for 1/2" Strap Seals, Heavy Duty	3.00	1.36	

