



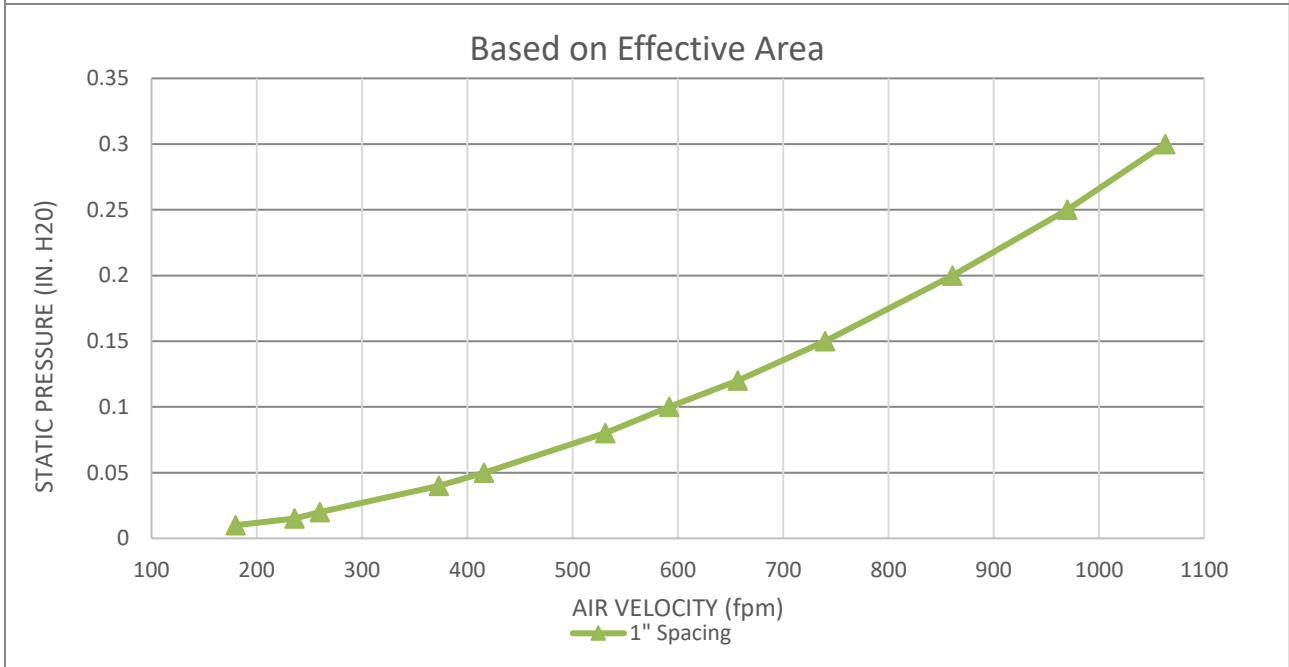
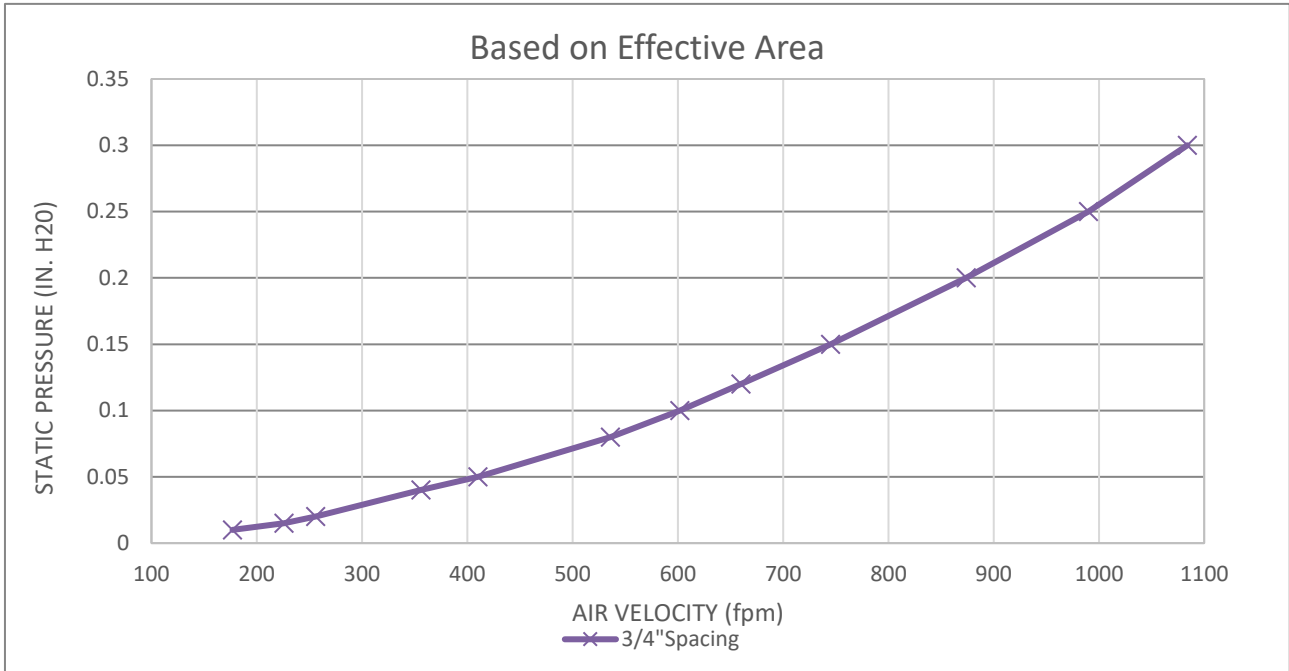
---

## SECTION 31 LIGHT TRAP

### IN THIS CATALOG SECTION

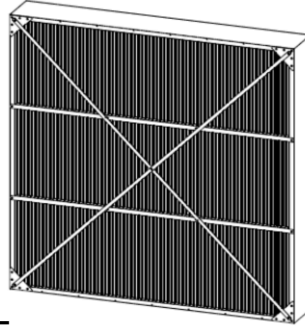
PAGE NUMBER	CONTENTS
31-02	Nightair S-Trap 3/4" & 1" Air Flow Data
31-03	Nightair S-Trap 3/4" & 1" - Framed Cartridge Pricing (18", 24" & 36" Width)
31-04	Nightair S-Trap 3/4" & 1" - Framed Cartridge Pricing (48", 52" & 54" Width)
31-05	Nightair S-Trap 3/4" & 1" - Framed Cartridge Pricing (60", 72", & 84" Width)
31-06	Nightair S-Trap 3/4" & 1" - Rod Cartridge Pricing (18", 24" & 36" Width)
31-07	Nightair S-Trap 3/4" & 1" - Rod Cartridge Pricing (48", 52" & 54" Width)
31-08	Nightair S-Trap 3/4" & 1" - Rod Cartridge Pricing (60", 72", & 84" Width)
31-09	Components for Nightair S-Trap
31-10	9" Deep Mounting Bracket Kits

# NIGHTAIR S-TRAP Airflow Data



LIGHT REDUCTION FACTOR		
Outside/Inside		
3/4" Spacing	7,000,000:1	BESS # 04074
1" Spacing	3,100,000:1	BESS # 04073

## NIGHTAIR S-TRAP - 3/4" & 1" FRAMED CARTRIDGE



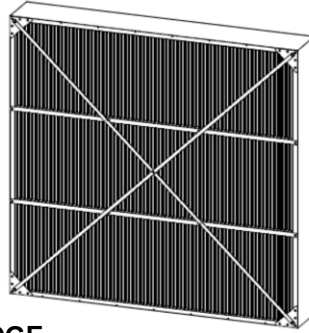
### NIGHTAIR S-TRAP - FRAMED CARTRIDGE

ALL DIMENSIONS ARE +/- 1/8"

WIDTH IN	HEIGHT IN	AREA FT <sup>2</sup>	SHIP WEIGHT		ASSEMBLED FRAMED				UNASSEMBLED FRAMED			
					3/4" SPACING		1" SPACING		3/4" SPACING		1" SPACING	
					Lbs.	Kgs	PART NO.	LIST PRICE	PART NO.	LIST PRICE	PART NO.	LIST PRICE
18	18	2.25	8.4	3.8	NAK18A18F		NAK18B18F		NAK18A18FU		NAK18B18FU	
18	24	3.00	8.4	3.8	NAK18A24F		NAK18B24F		NAK18A24FU		NAK18B24FU	
18	36	4.50	32.3	14.7	NAK18A36F		NAK18B36F		NAK18A36FU		NAK18B36FU	
18	48	6.00	41.0	18.6	NAK18A48F		NAK18B48F		NAK18A48FU		NAK18B48FU	
18	52	6.50	43.2	19.6	NAK18A52F		NAK18B52F		NAK18A52FU		NAK18B52FU	
18	54	6.75	43.6	19.8	NAK18A54F		NAK18B54F		NAK18A54FU		NAK18B54FU	
18	60	7.50	52.2	23.7	NAK18A60F		NAK18B60F		NAK18A60FU		NAK18B60FU	
18	72	9.00	62.9	28.5	NAK18A72F		NAK18B72F		NAK18A72FU		NAK18B72FU	
18	84	10.50	71.3	32.3	NAK18A84F		NAK18B84F		NAK18A84FU		NAK18B84FU	
24	18	3.00	9.3	4.2	NAK24A18F		NAK24B18F		NAK24A18FU		NAK24B18FU	
24	24	4.00	29.1	13.2	NAK24A24F		NAK24B24F		NAK24A24FU		NAK24B24FU	
24	36	6.00	40.6	18.4	NAK24A36F		NAK24B36F		NAK24A36FU		NAK24B36FU	
24	48	8.00	51.8	23.5	NAK24A48F		NAK24B48F		NAK24A48FU		NAK24B48FU	
24	52	8.67	54.0	24.5	NAK24A52F		NAK24B52F		NAK24A52FU		NAK24B52FU	
24	54	9.00	54.4	24.7	NAK24A54F		NAK24B54F		NAK24A54FU		NAK24B54FU	
24	60	10.00	65.7	29.8	NAK24A60F		NAK24B60F		NAK24A60FU		NAK24B60FU	
24	72	12.00	77.2	35.0	NAK24A72F		NAK24B72F		NAK24A72FU		NAK24B72FU	
24	84	14.00	89.0	40.4	NAK24A84F		NAK24B84F		NAK24A84FU		NAK24B84FU	
36	18	4.50	11.5	5.2	NAK36A18F		NAK36B18F		NAK36A18FU		NAK36B18FU	
36	24	6.00	40.4	18.3	NAK36A24F		NAK36B24F		NAK36A24FU		NAK36B24FU	
36	36	9.00	57.0	25.9	NAK36A36F		NAK36B36F		NAK36A36FU		NAK36B36FU	
36	48	12.00	75.8	34.4	NAK36A48F		NAK36B48F		NAK36A48FU		NAK36B48FU	
36	52	13.00	76.6	34.7	NAK36A52F		NAK36B52F		NAK36A52FU		NAK36B52FU	
36	54	13.50	77.1	35.0	NAK36A54F		NAK36B54F		NAK36A54FU		NAK36B54FU	
36	60	15.00	93.7	42.5	NAK36A60F		NAK36B60F		NAK36A60FU		NAK36B60FU	
36	72	18.00	109.9	49.8	NAK36A72F		NAK36B72F		NAK36A72FU		NAK36B72FU	
36	84	21.00	128.0	58.1	NAK36A84F		NAK36B84F		NAK36A84FU		NAK36B84FU	

SEE COMPONENTS ON PAGE 31-09

## NIGHTAIR S-TRAP - 3/4" & 1" FRAMED CARTRIDGE



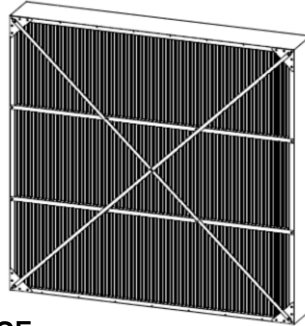
### NIGHTAIR S-TRAP - FRAMED CARTRIDGE

ALL DIMENSIONS ARE +/- 1/8"

WIDTH IN	HEIGHT IN	AREA FT <sup>2</sup>	SHIP WEIGHT		ASSEMBLED FRAMED				UNASSEMBLED FRAMED			
					3/4" SPACING		1" SPACING		3/4" SPACING		1" SPACING	
					Lbs.	Kgs	PART NO.	LIST PRICE	PART NO.	LIST PRICE	PART NO.	LIST PRICE
48	18	7.50	13.8	6.3	NAK48A18F		NAK48B18F		NAK48A18FU		NAK48B18FU	
48	24	10.00	43.2	19.6	NAK48A24F		NAK48B24F		NAK48A24FU		NAK48B24FU	
48	36	15.00	62.3	28.3	NAK48A36F		NAK48B36F		NAK48A36FU		NAK48B36FU	
48	48	20.00	78.6	35.7	NAK48A48F		NAK48B48F		NAK48A48FU		NAK48B48FU	
48	52	21.67	79.5	36.1	NAK48A52F		NAK48B52F		NAK48A52FU		NAK48B52FU	
48	54	22.50	79.9	36.2	NAK48A54F		NAK48B54F		NAK48A54FU		NAK48B54FU	
48	60	25.00	95.8	43.5	NAK48A60F		NAK48B60F		NAK48A60FU		NAK48B60FU	
48	72	30.00	112.3	50.9	NAK48A72F		NAK48B72F		NAK48A72FU		NAK48B72FU	
48	84	35.00	129.7	58.8	NAK48A84F		NAK48B84F		NAK48A84FU		NAK48B84FU	
52	18	9.00	16.8	7.6	NAK52A18F		NAK52B18F		NAK52A18FU		NAK52B18FU	
52	24	12.00	48.7	22.1	NAK52A24F		NAK52B24F		NAK52A24FU		NAK52B24FU	
52	36	18.00	69.6	31.6	NAK52A36F		NAK52B36F		NAK52A36FU		NAK52B36FU	
52	48	24.00	87.1	39.5	NAK52A48F		NAK52B48F		NAK52A48FU		NAK52B48FU	
52	52	26.00	88.0	39.9	NAK52A52F		NAK52B52F		NAK52A52FU		NAK52B52FU	
52	54	27.00	88.4	40.1	NAK52A54F		NAK52B54F		NAK52A54FU		NAK52B54FU	
52	60	30.00	107.5	48.8	NAK52A60F		NAK52B60F		NAK52A60FU		NAK52B60FU	
52	72	36.00	125.1	56.7	NAK52A72F		NAK52B72F		NAK52A72FU		NAK52B72FU	
52	84	10.50	145.6	66.0	NAK52A84F		NAK52B84F		NAK52A84FU		NAK52B84FU	
54	18	14.00	17.3	7.8	NAK54A18F		NAK54B18F		NAK54A18FU		NAK54B18FU	
54	24	21.00	50.4	22.9	NAK54A24F		NAK54B24F		NAK54A24FU		NAK54B24FU	
54	36	28.00	72.0	32.7	NAK54A36F		NAK54B36F		NAK54A36FU		NAK54B36FU	
54	48	30.33	90.1	40.9	NAK54A48F		NAK54B48F		NAK54A48FU		NAK54B48FU	
54	52	31.50	90.9	41.2	NAK54A52F		NAK54B52F		NAK54A52FU		NAK54B52FU	
54	54	35.00	91.3	41.4	NAK54A54F		NAK54B54F		NAK54A54FU		NAK54B54FU	
54	60	0.00	111.0	50.3	NAK54A60F		NAK54B60F		NAK54A60FU		NAK54B60FU	
54	72	0.00	129.3	58.6	NAK54A72F		NAK54B72F		NAK54A72FU		NAK54B72FU	
54	84	0.00	150.4	68.2	NAK54A84F		NAK54B84F		NAK54A84FU		NAK54B84FU	

SEE COMPONENTS ON PAGE 31-09

## NIGHTAIR S-TRAP - 3/4" & 1" FRAMED CARTRIDGE



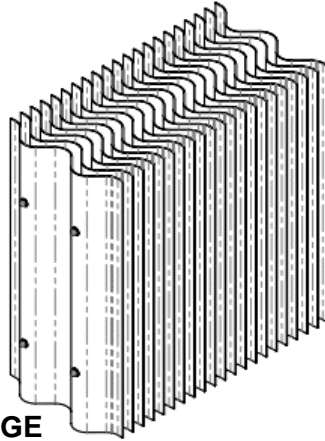
### NIGHTAIR S-TRAP - FRAMED CARTRIDGE

ALL DIMENSIONS ARE +/- 1/8"

WIDTH IN	HEIGHT IN	AREA FT <sup>2</sup>	SHIP WEIGHT		ASSEMBLED FRAMED				UNASSEMBLED FRAMED			
					3/4" SPACING		1" SPACING		3/4" SPACING		1" SPACING	
					Lbs.	Kgs	PART NO.	LIST PRICE	PART NO.	LIST PRICE	PART NO.	LIST PRICE
60	18	7.50	18.6	8.4	NAK60A18F		NAK60B18F		NAK60A18FU		NAK60B18FU	
60	24	10.00	55.3	25.1	NAK60A24F		NAK60B24F		NAK60A24FU		NAK60B24FU	
60	36	15.00	79.2	35.9	NAK60A36F		NAK60B36F		NAK60A36FU		NAK60B36FU	
60	48	20.00	99.1	45.0	NAK60A48F		NAK60B48F		NAK60A48FU		NAK60B48FU	
60	52	21.67	100.0	45.4	NAK60A52F		NAK60B52F		NAK60A52FU		NAK60B52FU	
60	54	22.50	100.4	45.5	NAK60A54F		NAK60B54F		NAK60A54FU		NAK60B54FU	
60	60	25.00	122.2	55.4	NAK60A60F		NAK60B60F		NAK60A60FU		NAK60B60FU	
60	72	30.00	142.3	64.5	NAK60A72F		NAK60B72F		NAK60A72FU		NAK60B72FU	
60	84	35.00	165.7	75.2	NAK60A84F		NAK60B84F		NAK60A84FU		NAK60B84FU	
72	18	9.00	20.2	9.2	NAK72A18F		NAK72B18F		NAK72A18FU		NAK72B18FU	
72	24	12.00	64.1	29.1	NAK72A24F		NAK72B24F		NAK72A24FU		NAK72B24FU	
72	36	18.00	92.3	41.9	NAK72A36F		NAK72B36F		NAK72A36FU		NAK72B36FU	
72	48	24.00	115.8	52.5	NAK72A48F		NAK72B48F		NAK72A48FU		NAK72B48FU	
72	52	26.00	116.6	52.9	NAK72A52F		NAK72B52F		NAK72A52FU		NAK72B52FU	
72	54	27.00	117.0	53.1	NAK72A54F		NAK72B54F		NAK72A54FU		NAK72B54FU	
72	60	30.00	142.9	64.8	NAK72A60F		NAK72B60F		NAK72A60FU		NAK72B60FU	
72	72	36.00	166.7	75.6	NAK72A72F		NAK72B72F		NAK72A72FU		NAK72B72FU	
84	18	10.50	24.2	11.0	NAK84A18F		NAK84B18F		NAK84A18FU		NAK84B18FU	
84	24	14.00	73.3	33.2	NAK84A24F		NAK84B24F		NAK84A24FU		NAK84B24FU	
84	36	21.00	106.2	48.2	NAK84A36F		NAK84B36F		NAK84A36FU		NAK84B36FU	
84	48	28.00	132.7	60.2	NAK84A48F		NAK84B48F		NAK84A48FU		NAK84B48FU	
84	52	30.33	133.4	60.5	NAK84A52F		NAK84B52F		NAK84A52FU		NAK84B52FU	
84	54	31.50	133.9	60.7	NAK84A54F		NAK84B54F		NAK84A54FU		NAK84B54FU	
84	60	35.00	163.5	74.2	NAK84A60F		NAK84B60F		NAK84A60FU		NAK84B60FU	

SEE COMPONENTS ON PAGE 31-09

## NIGHTAIR S-TRAP - 3/4" & 1" ROD CARTRIDGE



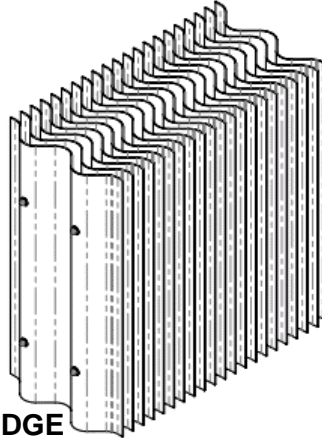
**NIGHTAIR S-TRAP - ROD CARTRIDGE**

ALL DIMENSIONS ARE +/- 1/8"

					<b>UNASSEMBLED ROD</b>			
WIDTH IN	HEIGHT IN	AREA FT <sup>2</sup>	SHIP WEIGHT		3/4" SPACING		1" SPACING	
			Lbs.	Kgs	PART NO.	LIST PRICE	PART NO.	LIST PRICE
18	18	2.25	10.6	4.8	81918A18RU		81918B18RU	
18	24	3.00	13.7	6.2	81918A24RU		81918B24RU	
18	36	4.50	20.0	9.1	81918A36RU		81918B36RU	
18	48	6.00	27.0	12.2	81918A48RU		81918B48RU	
18	52	6.50	29.1	13.2	81918A52RU		81918B52RU	
18	54	6.75	30.2	13.7	81918A54RU		81918B54RU	
18	60	7.50	33.3	15.1	81918A60RU		81918B60RU	
18	72	9.00	39.6	18.0	81918A72RU		81918B72RU	
18	84	10.50	46.4	21.0	81918A84RU		81918B84RU	
24	18	3.00	14.6	6.6	81924A18RU		81924B18RU	
24	24	4.00	18.9	8.6	81924A24RU		81924B24RU	
24	36	6.00	27.6	12.5	81924A36RU		81924B36RU	
24	48	8.00	37.2	16.9	81924A48RU		81924B48RU	
24	52	8.67	40.1	18.2	81924A52RU		81924B52RU	
24	54	9.00	41.6	18.9	81924A54RU		81924B54RU	
24	60	10.00	45.9	20.8	81924A60RU		81924B60RU	
24	72	12.00	54.6	24.8	81924A72RU		81924B72RU	
24	84	14.00	64.0	29.0	81924A84RU		81924B84RU	
36	18	4.50	22.1	10.0	81936A18RU		81936B18RU	
36	24	6.00	28.7	13.0	81936A24RU		81936B24RU	
36	36	9.00	41.9	19.0	81936A36RU		81936B36RU	
36	48	12.00	46.5	21.1	81936A48RU		81936B48RU	
36	52	13.00	60.9	27.6	81936A52RU		81936B52RU	
36	54	13.50	63.1	28.6	81936A54RU		81936B54RU	
36	60	15.00	69.7	31.6	81936A60RU		81936B60RU	
36	72	18.00	82.9	37.6	81936A72RU		81936B72RU	
36	84	21.00	97.1	44.0	81936A84RU		81936B84RU	

SEE COMPONENTS ON PAGE 31-09

## NIGHTAIR S-TRAP - 3/4" & 1" ROD CARTRIDGE



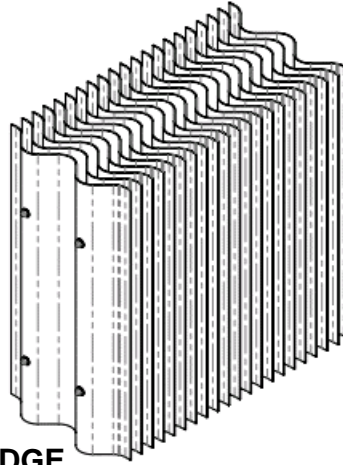
**NIGHTAIR S-TRAP - ROD CARTRIDGE**

ALL DIMENSIONS ARE +/- 1/8"

					<b>UNASSEMBLED ROD</b>			
WIDTH IN	HEIGHT IN	AREA FT <sup>2</sup>	SHIP WEIGHT		3/4" SPACING		1" SPACING	
			Lbs.	Kgs	PART NO.	LIST PRICE	PART NO.	LIST PRICE
48	18	6.0	23.6	10.7	81948A18RU		81948B18RU	
48	24	8.0	30.3	13.7	81948A24RU		81948B24RU	
48	36	12.0	43.8	19.9	81948A36RU		81948B36RU	
48	48	16.0	59.2	26.9	81948A48RU		81948B48RU	
48	52	17.3	63.7	28.9	81948A52RU		81948B52RU	
48	54	18.0	65.9	29.9	81948A54RU		81948B54RU	
48	60	20.0	72.7	33.0	81948A60RU		81948B60RU	
48	72	24.0	86.2	39.1	81948A72RU		81948B72RU	
48	84	28.0	101.1	45.9	81948A84RU		81948B84RU	
52	18	6.5	25.7	11.7	81952A18RU		81952B18RU	
52	24	8.7	33.0	15.0	81952A24RU		81952B24RU	
52	36	13.0	47.7	21.6	81952A36RU		81952B36RU	
52	48	17.3	64.5	29.3	81952A48RU		81952B48RU	
52	52	18.8	69.4	31.5	81952A52RU		81952B52RU	
52	54	19.5	71.8	32.6	81952A54RU		81952B54RU	
52	60	21.7	79.2	35.9	81952A60RU		81952B60RU	
52	72	26.0	93.9	42.6	81952A72RU		81952B72RU	
52	84	30.3	110.1	49.9	81952A84RU		81952B84RU	
54	18	6.8	26.7	12.1	81954A18RU		81954B18RU	
54	24	9.0	34.3	15.6	81954A24RU		81954B24RU	
54	36	13.5	49.6	22.5	81954A36RU		81954B36RU	
54	48	18.0	67.0	30.4	81954A48RU		81954B48RU	
54	52	19.5	72.1	32.7	81954A52RU		81954B52RU	
54	54	20.3	74.7	33.9	81954A54RU		81954B54RU	
54	60	22.5	82.3	37.3	81954A60RU		81954B60RU	
54	72	27.0	97.6	44.3	81954A72RU		81954B72RU	
54	84	31.5	114.6	52.0	81954A84RU		81954B84RU	

SEE COMPONENTS ON PAGE 31-09

## NIGHTAIR S-TRAP - 3/4" & 1" ROD CARTRIDGE



**NIGHTAIR S-TRAP - ROD CARTRIDGE**

ALL DIMENSIONS ARE +/- 1/8"

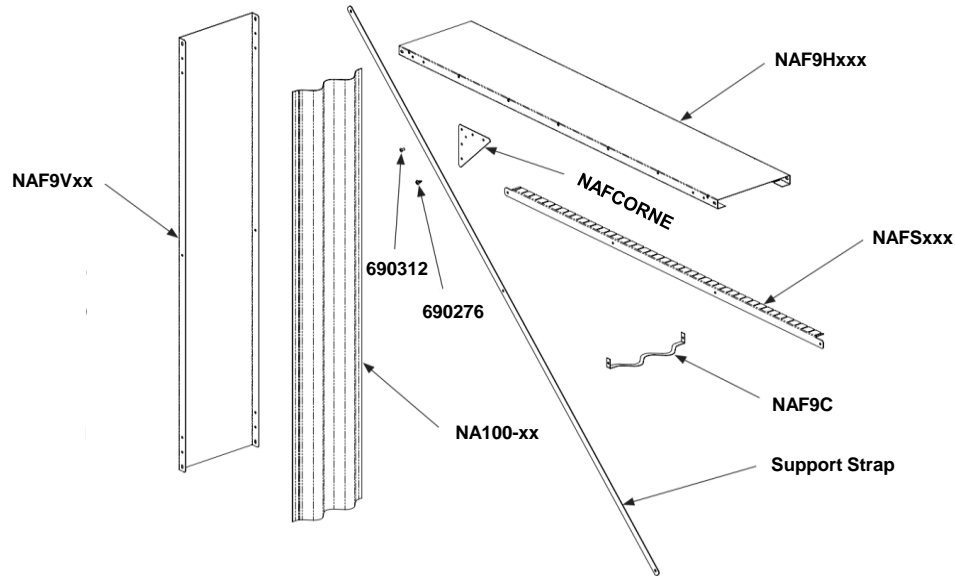
					<b>UNASSEMBLED ROD</b>			
WIDTH IN	HEIGHT IN	AREA FT <sup>2</sup>	SHIP WEIGHT		3/4" SPACING		1" SPACING	
			Lbs.	Kgs	PART NO.	LIST PRICE	PART NO.	LIST PRICE
60	18	7.5	29.4	13.3	81960A18RU		81960B18RU	
60	24	10.0	37.8	17.1	81960A24RU		81960B24RU	
60	36	15.0	54.6	24.8	81960A36RU		81960B36RU	
60	48	20.0	73.7	33.4	81960A48RU		81960B48RU	
60	52	21.7	79.3	36.0	81960A52RU		81960B52RU	
60	54	22.5	82.1	37.2	81960A54RU		81960B54RU	
60	60	25.0	90.5	41.1	81960A60RU		81960B60RU	
60	72	30.0	107.3	48.7	81960A72RU		81960B72RU	
60	84	35.0	125.9	57.1	81960A84RU		81960B84RU	
72	18	9.0	35.6	16.1	81972A18RU		81972B18RU	
72	24	12.0	45.8	20.8	81972A24RU		81972B24RU	
72	36	18.0	66.2	30.0	81972A36RU		81972B36RU	
72	48	24.0	89.4	40.6	81972A48RU		81972B48RU	
72	52	26.0	96.2	43.6	81972A52RU		81972B52RU	
72	54	27.0	99.6	45.2	81972A54RU		81972B54RU	
72	60	30.0	109.8	49.8	81972A60RU		81972B60RU	
72	72	36.0	130.2	59.1	81972A72RU		81972B72RU	
84	18	10.5	41.4	18.8	81984A18RU		81984B18RU	
84	24	14.0	53.2	24.1	81984A24RU		81984B24RU	
84	36	21.0	76.9	34.9	81984A36RU		81984B36RU	
84	48	28.0	104.0	47.2	81984A48RU		81984B48RU	
84	52	30.3	111.9	50.8	81984A52RU		81984B52RU	
84	54	31.5	115.8	52.5	81984A54RU		81984B54RU	
84	60	35.0	127.7	57.9	81984A60RU		81984B60RU	

SEE COMPONENTS ON PAGE 31-09



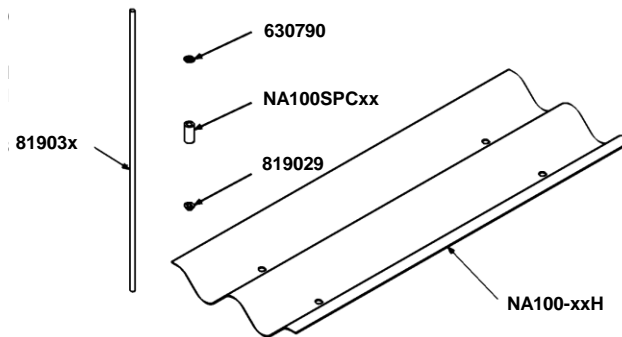
## NIGHTAIR S-TRAP

### 3/4" & 1" FRAMED COMPONENTS

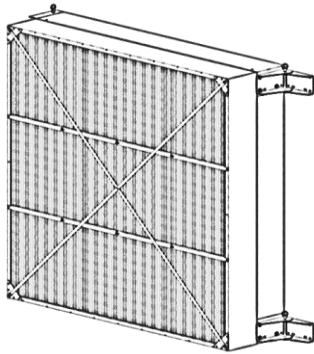


Decription	Part Number										List Price
#12 X 1/2" Screw	690276										
3/16" Rivet	690312										
Wavy Spacer	NAF9C										
Corner Brace	NAFCORNER										
<b>Height</b>	<b>18"</b>	<b>24"</b>	<b>36"</b>	<b>48"</b>	<b>52"</b>	<b>54"</b>	<b>60"</b>	<b>72"</b>	<b>84"</b>		
Black PVC Panel	NA100-18	NA100-24	NA100-36	NA100-48	NA100-52	NA100-54	NA100-60	NA100-72F	NA100-84F		
Vertical Frame	NAF9V18	NAF9V24	NAF9V36	NAF9V48	NAF9V52	NAF9V54	NAF9V60	NAF9V72	NAF9V84		
<b>Width</b>	<b>18"</b>	<b>24"</b>	<b>36"</b>	<b>48"</b>	<b>52"</b>	<b>54"</b>	<b>60"</b>	<b>72"</b>	<b>84"</b>		
Horizontal Frame, 1"	NAF9H18A	NAF9H24A	NAF9H36A	NAF9H48A	NAF9H52A	NAF9H54A	NAF9H60A	NAF9H72A	NAF9H84A		
Horizontal Frame, 3/4"	NAF9H18B	NAF9H24B	NAF9H36B	NAF9H48B	NAF9H52B	NAF9H54B	NAF9H60B	NAF9H72B	NAF9H84B		
Spacer Strip, 3/4"	NAFS18A	NAFS24A	NAFS36A	NAFS48A	NAFS52A	NAFS54A	NAFS60A	NAFS72A	NAFS84A		
Spacer Strip, 1"	NAFS18B	NAFS24B	NAFS36B	NAFS48B	NAFS52B	NAFS54B	NAFS60B	NAFS72B	NAFS84B		

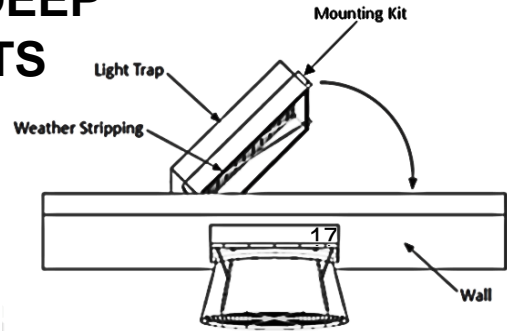
### 3/4" & 1" ROD COMPONENTS



Decription	Part Number										List Price
Push on Retainer	630790										
1/4" Retainer Push Cap	819029										
3/4" Tall Spacer	NA100SPC75										
1" Tall Spacer	NA100SPC1										
<b>Width</b>	<b>18"</b>	<b>24"</b>	<b>36"</b>	<b>48"</b>	<b>52"</b>	<b>54"</b>	<b>60"</b>	<b>72"</b>	<b>84"</b>		
1/4" Galvanized Rod	819030	819031	819032	819033	819034	819035	819036	819037	819038		
<b>Height</b>	<b>18"</b>	<b>24"</b>	<b>36"</b>	<b>48"</b>	<b>52"</b>	<b>54"</b>	<b>60"</b>	<b>72"</b>	<b>84"</b>		
Black PVC Panel	NA100-18H	NA100-24H	NA100-36H	NA100-48H	NA100-52H	NA100-54H	NA100-60H	NA100-72H	NA100-84H		



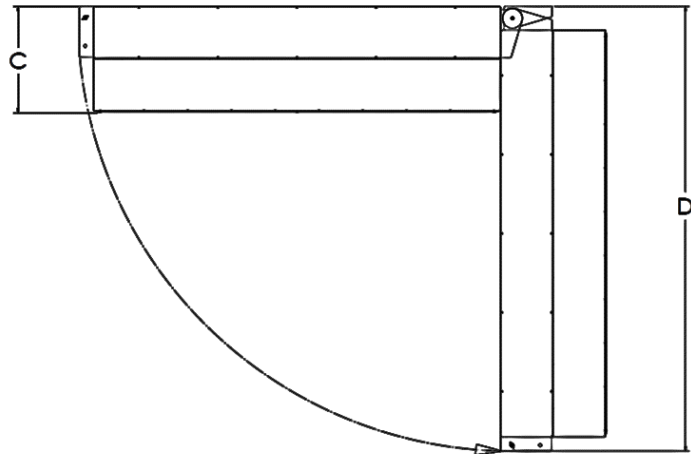
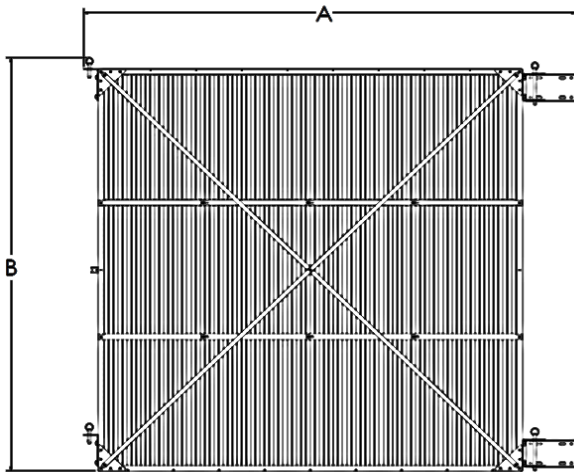
## LIGHT TRAP 9" DEEP MOUNTING KITS



### MOUNTING KITS - Ships Unassembled - ONLY USED WITH FRAMED LIGHT TRAPS

CATALOG NUMBER	ITEM DESCRIPTION	Typical used with Size Exhaust Fan	LIST PRICE
819020	9" Deep Mounting Kit for 48" x 48" Framed Light Trap	12" - 24"	
819010	9" Deep Mounting Kit for 60" x 60" Framed Light Trap	36" - 48"	
819000	9" Deep Mounting Kit for 72" x 72" Framed Light Trap	50" - 54"	

Light Traps in front of Exhaust Fans will increase the static pressure, see page 31-02 for air flow data or contact VAL-CO Application Engineering .



	A (Width Clearance)		B (Height Clearance)		C (Clearance in Closed Position)		D (Clearance in Open Position)	
	in	cm	in	cm	in	cm	in	cm
819000 72" X 72"	84	213.4	74.5	189.2	19	48.3	79	200.7
819010 60" X 60"	72	182.9	62.5	158.8	19	48.3	67	170.2
819020 48" X 48"	60	152.4	50.5	128.3	19	48.3	55	139.7