

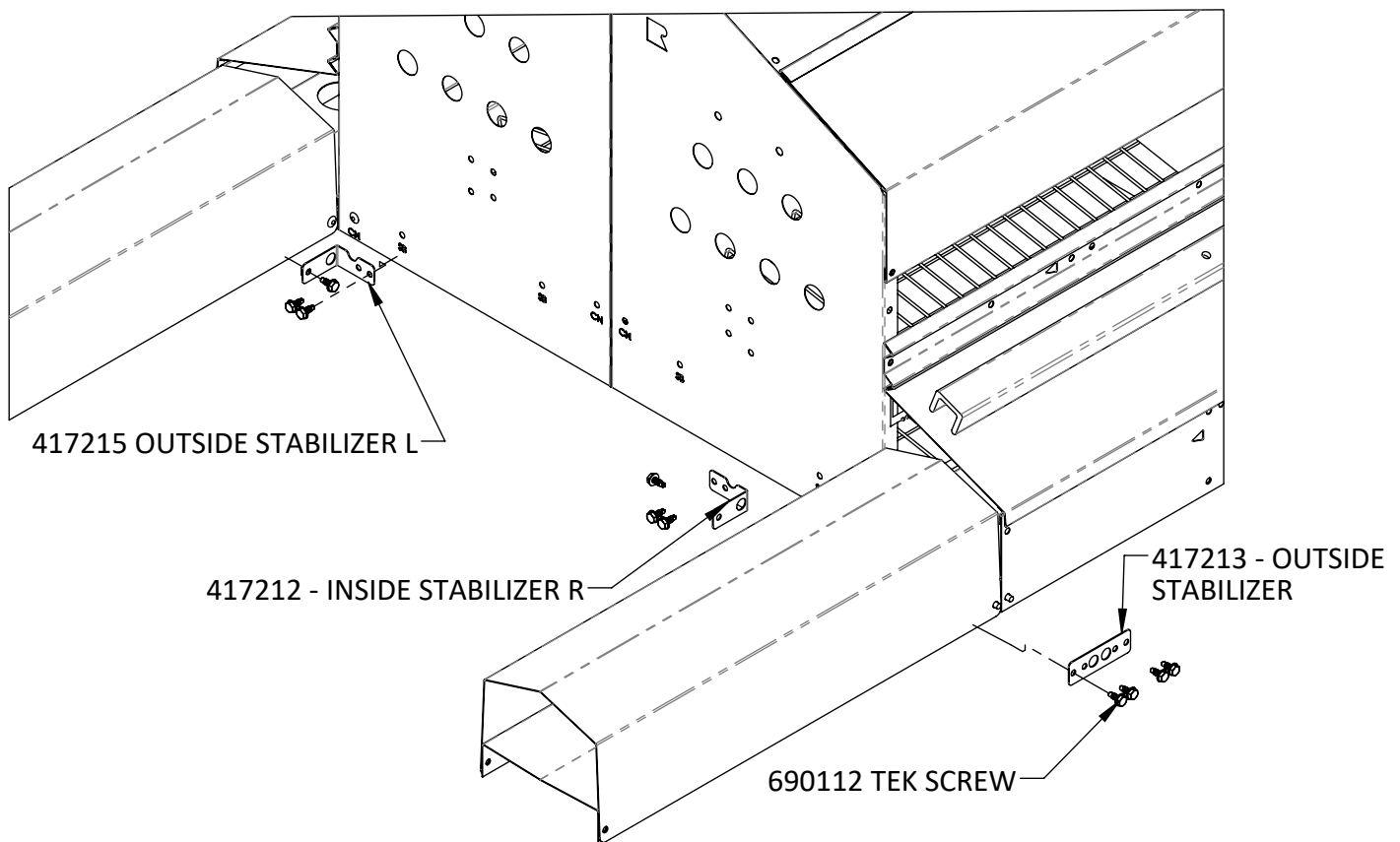
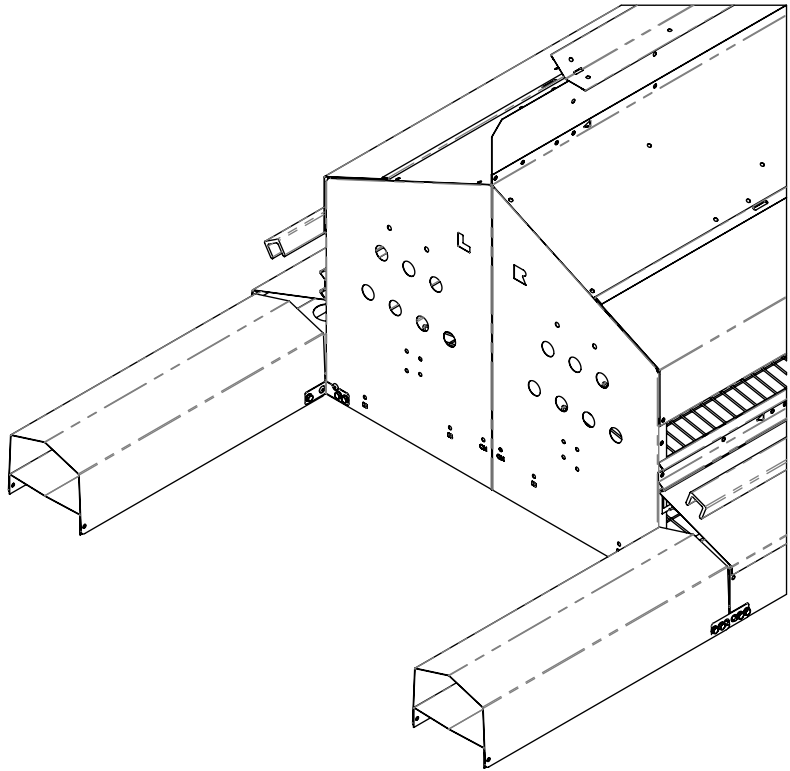


990398

QUICKSHEET, TROUGH STABILIZER KIT

Installation Instructions:

1. Make sure connecting trough and nest trough are aligned at the bottom edges.
2. Place 417213 Outside Stabilizer against connecting trough and nest front panel. Locate the stabilizer over the existing rivets joining the connecting trough to the nest.
3. Fasten stabilizer using (4) 690112 TEK Screw.
4. Place 417212 Inside Stabilizer R and 417215 Inside Stabilizer L against connecting trough and nest end panels. Locate the stabilizers over existing rivets on connecting trough and end panels.
5. Fasten stabilizers using (3) 690112 TEK Screw per stabilizer.



North America:

Phone: 800.99VALCO (800.998.2526)
Fax: 419.678.2200
Email: sales@val-co.com

990398 [-] 5/13/2026
Page 1

International:

Phone: (+1) 419.678.8731
Fax: (+1) 419.678.2200
Email: intl.sales@val-co.com