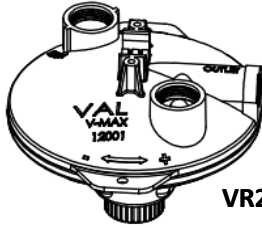


---

## SECTION 25 START-GROW WATERING PRICING

### IN THIS CATALOG SECTION

PAGE NUMBER	CONTENTS
25-02	Regulators
25-03	Intakes / Hose / End Assemblies / Flush Kits
25-04	Standpipes
25-05	Header Kits / Lead In Kits / Air Releases
25-06	Filter Kits / Water Meters / Medicators / Cleaner & Solutions
25-07	Start Grow Pipe Kits
25-08	Winching
24-09 thru 24-10	Drinker Flow Charts
25-11	Drinkers / Standpipe replacement Parts
25-12	Pipe & Connectors / PVC Fittings
25-13	VR201 Regulator
25-14	VR204 Regulator
25-15	VR205 Regulator / VR209 Regulator
24-16thru 24-17	Regulator Repair Parts Pricing
25-18	Filter Kit Repair Parts



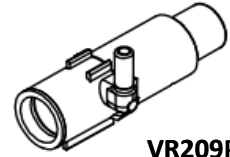
**VR201**

## REGULATORS

### V-MAX Regulator Ordering Instructions

1. Order the regulator.
2. Order desired bracket
3. Order the desired intake.
4. Order the desired standpipe.
5. Order the intake hose.

(3/4" for flush intake, 3/8" for old style intake.)



**VR209P**

### V-MAX VR201 FLOOR REGULATOR KIT (requires 1 standpipe)

CATALOG #	ITEM DESCRIPTION	SHIP WEIGHT		LIST PRICE
		LBS.	KG.	
VR201K	Cage Regulator Kit	1.85	0.84	

### V-MAX VR201 FLOOR REGULATOR KIT

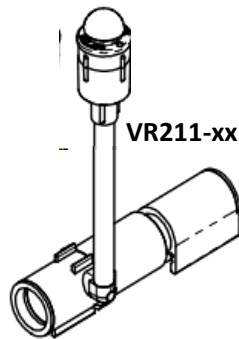
VRP29	Cage Regulator Support Bracket	0.39	0.18	
610067	Cage Regulator Support Bracket	1.25	0.57	

### V-MAX VR204 SLOPE REGULATOR (req. 2 standpipe - 1 must be 'K' designation)

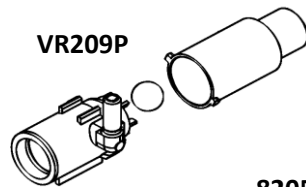
CATALOG #	ITEM DESCRIPTION	SHIP WEIGHT		LIST PRICE
		LBS.	KG.	
VR204KA	Cage Slope Regulator Kit - Aluminum	1.90	0.00	
VR204KC	Cage Slope Regulator Kit - Conduit	1.90	0.00	

### VR209 SLOPE REGULATOR

CATALOG #	ITEM DESCRIPTION	SHIP WEIGHT		LIST PRICE
		LBS.	KG.	
VR211-18	Slope Regulator Kit With 18" Standpipe & Coupler (Conduit)	0.35	0.16	
VR211-24	Slope Regulator Kit With 24" Standpipe & Coupler (Conduit)	0.36	0.16	
VR211-30	Slope Regulator Kit With 30" Standpipe & Coupler (Conduit)	0.38	0.17	
VR209P	Slope Regulator Only - Automatic Flush Thru	0.18	0.08	
VR209S	Air Release with "L" Stem	0.11	0.05	
820513	Air Release with Side Exit Stem	0.10	0.05	
820515	Slope Regulator Only - with Side Exit Stem	0.17	0.08	
820516	Slope Regulator Only - with Side Stem Plug	0.17	0.08	
VRP90	Slope Regulator - Left Kit for VR209	0.11	0.05	

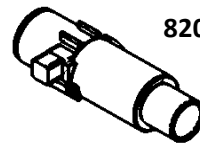
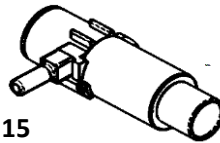


**VR211-xx**

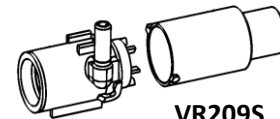


**VR209P**

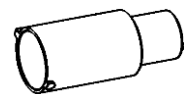
**820515**  
**820513 (no SS Ball)**



**820516**



**VR209S**



**VRP90**

### VR205 HIGH PRESSURE REGULATOR

CATALOG #	ITEM DESCRIPTION	SHIP WEIGHT		LIST PRICE
		LBS.	KG.	
VR205	High Pressure Regulator Kit - No Gauges	2.16	0.98	
VR205-1	High Pressure Regulator Kit - 1 Oil Filled Pressure Gauge	2.65	1.20	
VR205-2	High Pressure Regulator Kit - 2 Oil Filled Pressure Gauges	3.14	1.42	

Maximum Incoming Pressure: 100 PSI

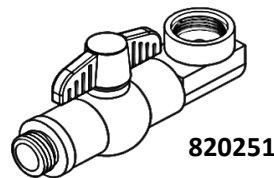
Pressure Range: 25 PSI Minimum

<p align="center"><b>STANDARD</b></p> <p>Maximum Incoming Pressure 15-75 PSI</p> <p>Pressure Range 0-1 PSI or 0-28" Water Column</p>	<p><b>INTAKE KITS</b></p>  <p><b>RFV160</b>                      <b>VRP30F</b>                      <b>VRP09</b></p>	<p align="center"><b>LOW PRESSURE</b></p> <p>Maximum Incoming Pressure 3-15 PSI</p> <p>Pressure Range 0-1 PSI or 0-28" Water</p>
--	--	--

CATALOG #	ITEM DESCRIPTION	SHIP WEIGHT		LIST PRICE
		LBS.	KG.	
RFV160K	Inlet Kit, Flushing, Shut Off (incl. (2) PMTT6, VRP66, VRP67S, (2) PMHC3-4)	0.66	0.30	
RFV160LK	Inlet Kit, Flushing, Shut off, Low pressure (incl. same parts as RFV160K)	0.66	0.30	
VRP09K	Inlet Kit, Shut off (incl. (2) VRP45 & (2) VRP375)	0.16	0.07	
VRP09LK	Inlet Kit, Shut off, low pressure (incl. (2) VRP45 & (2) VRP375)	0.16	0.07	

<b>INDIVIDUAL INTAKE</b>				
RFV160	Regulator Flushing Intake only	0.41	0.18	
RFV160L	Regulator Flushing Intake only - Low Pressure	0.41	0.18	
VRP09	Shutoff Intake only	0.13	0.06	
VRP09L	Shutoff Intake only - Low Pressure	0.09	0.04	
VRP30F	Shutoff Intake with Flex Standpipe Connection	0.12	0.05	

<b>HOSE</b>				
VRP79-Q300	PVC Yellow Regulator drop HOSE, 3/8" ID (Unit of measure: 300 Foot Roll) For use with new style flush intake. (RFV160)	66.20	30.03	
VRP79	PVC Yellow Regulator drop HOSE, 3/8" ID (Unit of measure: Per foot) For use with new style flush intake. (RFV160)	0.22	0.10	
VRP48-Q500	PVC Yellow Regulator Drop Hose, 3/8" (Unit of measure: 500 Foot Roll) For use with old style intake. (VRP09)	39.60	17.96	
VRP48	PVC Yellow Regulator Drop Hose, 3/8" (Unit of measure: per foot) For use with old style intake. (VRP09)	0.08	0.04	



<b>END ASSEMBLIES (requires 1 standpipe)</b>				
CATALOG #	ITEM DESCRIPTION	SHIP WEIGHT		LIST PRICE
		LBS.	KG.	
820251	End Assembly Kit, US standard thread, Garden Hose Adapter	0.39	0.18	
820252	End Assembly Kit, Metric thread, Garden Hose Adapter	0.39	0.18	

<b>FLUSH KITS FOR CAGES</b>				
VF100B	With 12" Standpipe - Lower Tiers	10.28	4.66	
VF100T	With 12" Standpipe - Top Tier Only	2.36	1.1	
VF100TM	With 12" Standpipe - Top Tier Only (Metric)	2.34	1.06	
VF100-18B	With 18" Standpipe - Lower Tiers	10.40	4.72	
VF100-18T	With 18" Standpipe - Top Tier Only	2.48	1.1	
VF100-18TM	With 18" Standpipe - Top Tier Only (Metric)	2.45	1.11	
VF100-24B	With 24" Standpipe - Lower Tiers	3.60	1.63	
VF100-24T	With 24" Standpipe - Top Tier Only	2.15	1.0	
VF100-24TM	With 24" Standpipe - Top Tier Only (Metric)	2.57	1.17	
VF100SB	For Stacked Cages - With 24" Standpipe - Lower Tiers	8.00	3.63	
VF100SBM	For Stacked Cages - With 24" Standpipe - Lower Tiers (Metric)	2.35	1.07	

## FLEX STANDPIPE

### Foldover Standpipes

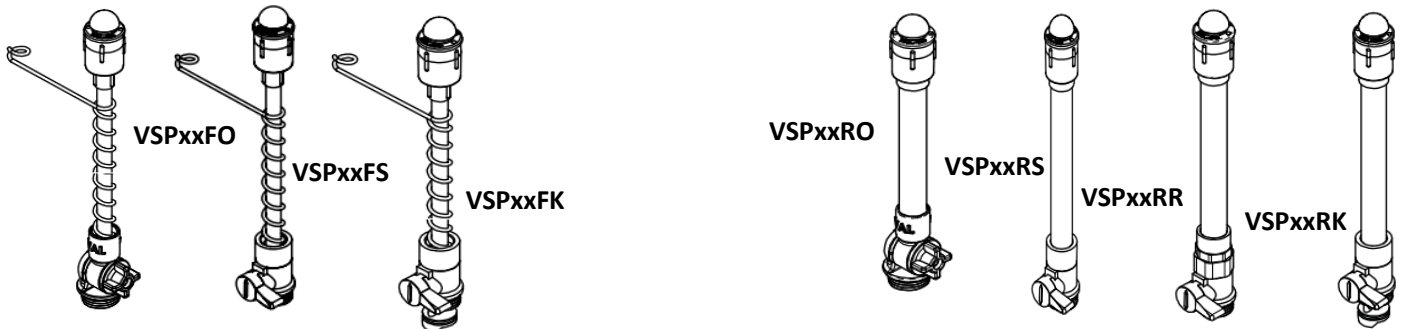
CATALOG #	ITEM DESCRIPTION	SHIP WEIGHT		LIST PRICE
		LBS.	KG.	
VSP18FO	FLEX SP ASSY, 18", FOLD OVER	0.36	0.16	
VSP24FO	FLEX SP ASSY, 24", FOLD OVER	0.45	0.20	
VSP30FO	FLEX SP ASSY, 30", FOLD OVER	0.47	0.21	

### Shutoff Standpipes

VSP18FS	FLEX SP ASSY, 18", SHUTOFF	0.36	0.16	
VSP24FS	FLEX SP ASSY, 24", SHUTOFF	0.50	0.22	
VSP30FS	FLEX SP ASSY, 30", SHUTOFF	0.47	0.21	

### 1/2" NPT Standpipes

VSP18FK	FLEX SP ASSY, 18", INTAKE	0.35	0.16	
VSP24FK	FLEX SP ASSY, 24", INTAKE	0.44	0.20	
VSP30FK	FLEX SP ASSY, 30", INTAKE	0.46	0.21	



## RIGID STANDPIPE

### Foldover Standpipes

CATALOG #	ITEM DESCRIPTION	SHIP WEIGHT		LIST PRICE
		LBS.	KG.	
VSP12RO	RIGID SP ASSY, 12", FOLD OVER	0.22	0.10	
VSP18RO	RIGID SP ASSY, 18", FOLD OVER	0.26	0.12	
VSP24RO	RIGID SP ASSY, 24", FOLD OVER	0.30	0.14	
VSP30RO	RIGID SP ASSY, 30", FOLD OVER	0.42	0.19	
VSP36RO	RIGID SP ASSY, 36", FOLD OVER	0.38	0.17	

### Shutoff Standpipes

VSP12RS	RIGID SP ASSY, 12", SHUTOFF	0.20	0.09	
VSP18RS	RIGID SP ASSY, 18", SHUTOFF	0.24	0.11	
VSP24RS	RIGID SP ASSY, 24", SHUTOFF	0.28	0.13	
VSP30RS	RIGID SP ASSY, 30", SHUTOFF	0.32	0.14	
VSP36RS	RIGID SP ASSY, 36", SHUTOFF	0.36	0.16	

### 1/2" NPT Standpipes

VSP12RR	RIGID SP ASSY, 12", 1/2" NPT	0.24	0.11	
VSP18RR	RIGID SP ASSY, 18", 1/2" NPT	0.29	0.13	
VSP24RR	RIGID SP ASSY, 24", 1/2" NPT	0.34	0.15	
VSP30RR	RIGID SP ASSY, 30", 1/2" NPT	0.39	0.18	
VSP36RR	RIGID SP ASSY, 36", 1/2" NPT	0.44	0.20	

### Intake Standpipes

VSP12RK	RIGID SP ASSY, 12", INTAKE	0.21	0.10	
VSP18RK	RIGID SP ASSY, 18", INTAKE	0.25	0.11	
VSP24RK	RIGID SP ASSY, 24", INTAKE	0.29	0.13	
VSP30RK	RIGID SP ASSY, 30", INTAKE	0.33	0.15	
VSP36RK	RIGID SP ASSY, 36", INTAKE	0.37	0.17	

### BRUSHES FOR STANDPIPES

VB151	Bottle Brush for Rigid Standpipe	0.11	0.05	
VB151F	Bottle Brush for Flex Standpipe	0.11	0.05	

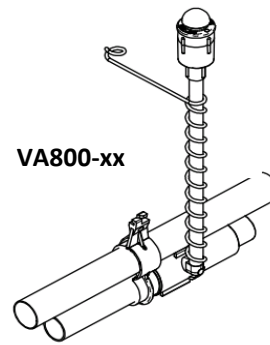
## START-GROW WATERING OPTIONS

### HEADER KITS

CATALOG #	ITEM DESCRIPTION	SHIP WEIGHT		LIST PRICE
		LBS.	KG.	
VH100B	Cage Header Kit - Lower Tiers	1.88	0.85	
VH100T	Cage Header Kit - Top Tier Only	1.79	0.81	
VH100SB	Cage Header Kit - for Stacked Cage Lower Tiers	1.40	0.64	
VH100ST	Cage Header Kit - for Stacked Cage Top Tier Only	1.55	0.70	

### LEAD-IN KITS

CATALOG #	ITEM DESCRIPTION	SHIP WEIGHT		LIST PRICE
		LBS.	KG.	
VL100	Lead-In Kit From Filter to First Row	8.46	3.84	
VL200	Lead-In Kit From One Row to Next Row	4.03	1.83	



### AIR RELEASES

CATALOG #	ITEM DESCRIPTION	SHIP WEIGHT		LIST PRICE
		LBS.	KG.	
VA800-24	Air Release With Auto Shutoff & 24" Flex Standpipe - Conduit	0.71	0.32	
VA800-30	Air Release With Auto Shutoff & 30" Flex Standpipe - Conduit	0.74	0.33	
VR209S	Left Body Only - for Air Release & Slope Regulator	0.11	0.05	

## START-GROW WATERING OPTIONS

### FILTER KIT/BACKFLUSH

CATALOG #	ITEM DESCRIPTION	SHIP WEIGHT		LIST PRICE
		LBS.	KG.	
VF122	Filter Kit/Backflush Hookup	9.25	4.20	
VF122L	Filter Kit/Backflush Hookup - Low Pressure	9.03	4.10	
VF122-H	Filter Kit - Without Hookup or Gauges(30 Micron Filter)	6.95	3.15	
VF122L-H	Filter Kit - W/O Hookup or Gauges - Low Pressure (50 Micron Filter)	6.74	3.06	

### WATER METERS *(kits includes [2] VT132 -3/4" PVC female adapter S X thread)*

CATALOG #	ITEM DESCRIPTION	SHIP WEIGHT		LIST PRICE
		LBS.	KG.	
820370	<b>WATER METER KIT</b> , GAL, LOCAL, 5/8"X3/4", Brass Body, Line Size 3/4"	8.00	3.6	
820371	<b>WATER METER KIT</b> , GAL, DIGITAL, 5/8"X3/4", Brass Body, Line Size 3/4"	8.00	3.6	
820372	<b>WATER METER KIT</b> , MET, LOCAL, 5/8"X3/4", Brass Body, Line Size 3/4"	8.00	3.6	
820373	<b>WATER METER KIT</b> , MET, DIGITAL, 5/8"X3/4", Brass Body, Line Size 3/4"	8.00	3.6	
820374	<b>WATER METER KIT</b> , GAL, LOCAL, 5/8" X 3/4", Plastic Body, Line Size 3/4"	8.00	2.7	
820375	<b>WATER METER KIT</b> , GAL, DIGITAL, 5/8" X 3/4", Plastic Body, Line Size 3/4"	8.00	2.7	
820376	<b>WATER METER KIT</b> , MET, LOCAL, 5/8" X 3/4", Plastic Body, Line Size 3/4"	8.00	2.7	
820377	<b>WATER METER KIT</b> , MET, DIGITAL, 5/8" X 3/4", Plastic Body, Line Size 3/4"	8.00	2.7	
820284	PVC Adapter, 1" X 3/4", slip x slip, schedule 40	0.10	0.05	
VT100	3/4" PVC Tee S X S X S	0.01	0.00	
VT102	3/4" PVC 90 ELL S X S	0.08	0.04	
VT132	3/4" PVC Female Adapter S X Thread	0.05	0.02	
VV801	3/4" Ball Valve	0.24	0.11	
VX127	3/4" Union S X S	0.16	0.07	

### MEDICATOR

CATALOG #	ITEM DESCRIPTION	SHIP WEIGHT		LIST PRICE
		LBS.	KG.	
VM501	Dosatron Medicator Kit (D25RE2) - Dilution Range 1:500 to 1:50 (.2% to 2%)	3.41	1.55	
820341	Dosatron Medicator Kit (D25RE5) - Dilution Range 1:100 to 1:20 (1% to 5%)	4.00	1.81	
VM507	Hook-Up Kit for Medicator	1.75	0.79	
VM504	Repair Kit for VM500 Dosatron Medicator (D25RE2)	44.00	19.96	
VM508	Repair Kit for VM500 Dosatron Medicator (DI16)	0.12	0.06	

*Medicators can be used in high or low pressure systems from 4.3-85 PSI (.3-5.86 Bar).*

### CLEANERS / SOLUTIONS

CATALOG #	ITEM DESCRIPTION	SHIP WEIGHT		LIST PRICE
		LBS.	KG.	
VC200	Pro Clean (1 Gal)	4.75	2.15	
PM10TS	10TS Water Treatment System	25.00	11.34	
PMCPABU1	Water Treatment Solution - 5 Gallon (PARAFOS)	50.00	22.68	

## START-GROW PIPE KITS

(Not Including Cord or PVC Edging - See Below)

### ALL DRINKERS

CATALOG NUMBER	DRINKER SPACING	PIPE LENGTH	NO. OF DRINKERS	LIST PRICE
BG199	24"	8 FT	8	
BG200	24"	10 FT	10	
BG201	30"	10 FT	8	
BG202	32"	8 FT	6	
BG203	40"	10 FT	6	
BG204	48"	8 FT	4	
BG205	60"	10 FT	4	

CATALOG NUMBER*	*EXT. LIST PRICE
BG199E	
BG200E	
BG201E	
BG202E	
BG203E	
BG204E	
BG205E	

\* This price includes one extended start-grow per kit.

To order, add "E" to the catalog number to identify.

### CUPS & DRINKERS (ALTERNATING EACH PARTITION; CUPS & NIPPLE DRINKERS)

CATALOG NUMBER	DRINKER SPACING	PIPE LENGTH	NO. OF DRINKERS	LIST PRICE
BG209	24"	8 FT	8	
BG210	24"	10 FT	10	
BG211	30"	10 FT	8	
BG212	32"	8 FT	6	
BG213	40"	10 FT	6	
BG214	48"	8 FT	4	
BG215	60"	10 FT	4	

#### LIST PRICE INCLUDES:

- Plastic Pipe in 8'/10' Lengths
- Stabilizer Coupler (VC145)
- Barbed Saddle (VS147)
- Cage Clips (VC147)
- Val Drinkers (VBL150)
- Tubing (BG222)
- Start-Grow Assembly (BG220)

#### AND/OR:

- Extended Start-Grow Assembly (BG219)

### ALL CUP DRINKERS

CATALOG NUMBER	DRINKER SPACING	PIPE LENGTH	NO. OF DRINKERS	LIST PRICE
BG199AC	24"	8 FT	8	
BG200AC	24"	10 FT	10	
BG201AC	30"	10 FT	8	
BG202AC	32"	8 FT	6	
BG203AC	40"	10 FT	6	
BG204AC	48"	8 FT	4	
BG205AC	60"	10 FT	4	
BG777	Cup Cover (for start-grow unit)			

### ALSO NEEDED

**DIVIDE NUMBER OF DRINKERS BY TWO TO CALCULATE NUMBER OF STARTGROW ASSEMBLIES PER KIT**

ONE 20" PER STARTGROW ASSY OR PARTITION FOR SINGLE PULL OR ONE 40" PER TWO ASSYS FOR DOUBLE PULL			TWO PER STARTGROW ASSEMBLY OR PARTITION		
CATALOG NUMBER	ITEM DESCRIPTION	LIST PRICE	CATALOG NUMBER	ITEM DESCRIPTION	LIST PRICE
BG221	20" DROP CORD		VN100	10.75" PVC EDGING	
BG223	20" CORD W/ HOOK		VN101	11.75" PVC EDGING	
BG225	40" DROP CORD		VN102	12.75" PVC EDGING	
BG227	40" CORD W/ HOOK				

### CUSTOM & NON-STOCKED PIPE KITS

Custom pipe kits are available - call for availability. Note that orders for custom pipe kits (and some non-stocked kits shown above) may not be cancelled after production commences. No returns are permitted on custom or non-stocked pipe kits.

## PULLET CAGE WINCHING SYSTEM

<b>WINCHING SYSTEM</b>		SHIP WEIGHT		LIST PRICE
		LBS.	KG.	
CATALOG #	ITEM DESCRIPTION			
VW024	Winching System for 24" Cage Spacing - Per Cage	0.11	0.05	
VW030	Winching System for 30" Cage Spacing - Per Cage	0.12	0.06	

<b>ABOVE WINCHING SYSTEMS INCLUDE:</b>		SHIP WEIGHT		LIST PRICE
		LBS.	KG.	
CATALOG #	ITEM DESCRIPTION			
VW1	Winching Clamp (1 per cage)	0.01	0.00	
VW2	Winching Clamp Screw (1 per cage)	0.00	0.00	
VWB101	Winching Bracket for Startgrow Systems	0.04	0.02	
VW4	Winching Rod	0.03	0.01	

## WINCHING KITS

**CAN BE USED FOR HART, MONOFLOW, & ZIGGITY PULLET GROW SYSTEM**

<b>WINCHING KITS</b>		SHIP WEIGHT		LIST PRICE
		LBS.	KG.	
CATALOG #	ITEM DESCRIPTION			
VW101	Winching Kit for Startgrow Cage Watering	22.20	10.07	

<b>VW101 WINCHING SYSTEM INCLUDES:</b>			SHIP WEIGHT		EXTENDED LIST PRICE
			LBS.	KG.	
Part Number	Qty	ITEM DESCRIPTION			
VB312	2	2000 lb. overhead manual winch	10.50	4.76	
VC343	16	Cable, 1/8", 7x7 galvanized	0.02	0.01	
VC354	10	Cable clamp	0.02	0.01	
780017	2	Return Spring	1.70	0.77	
615321	2	PVC Spring Cover - 2' PVC Pipe (1 per winch)	0.65	0.29	
VT194	0.4	1 1/2" Plain PVC Pipe (10 FT.)	3.25	1.47	

<b>WINCHING KITS</b>		SHIP WEIGHT		LIST PRICE
		LBS.	KG.	
CATALOG #	ITEM DESCRIPTION			
VW101-B	Winching Kit for Startgrow Cage Watering	11.69	5.30	

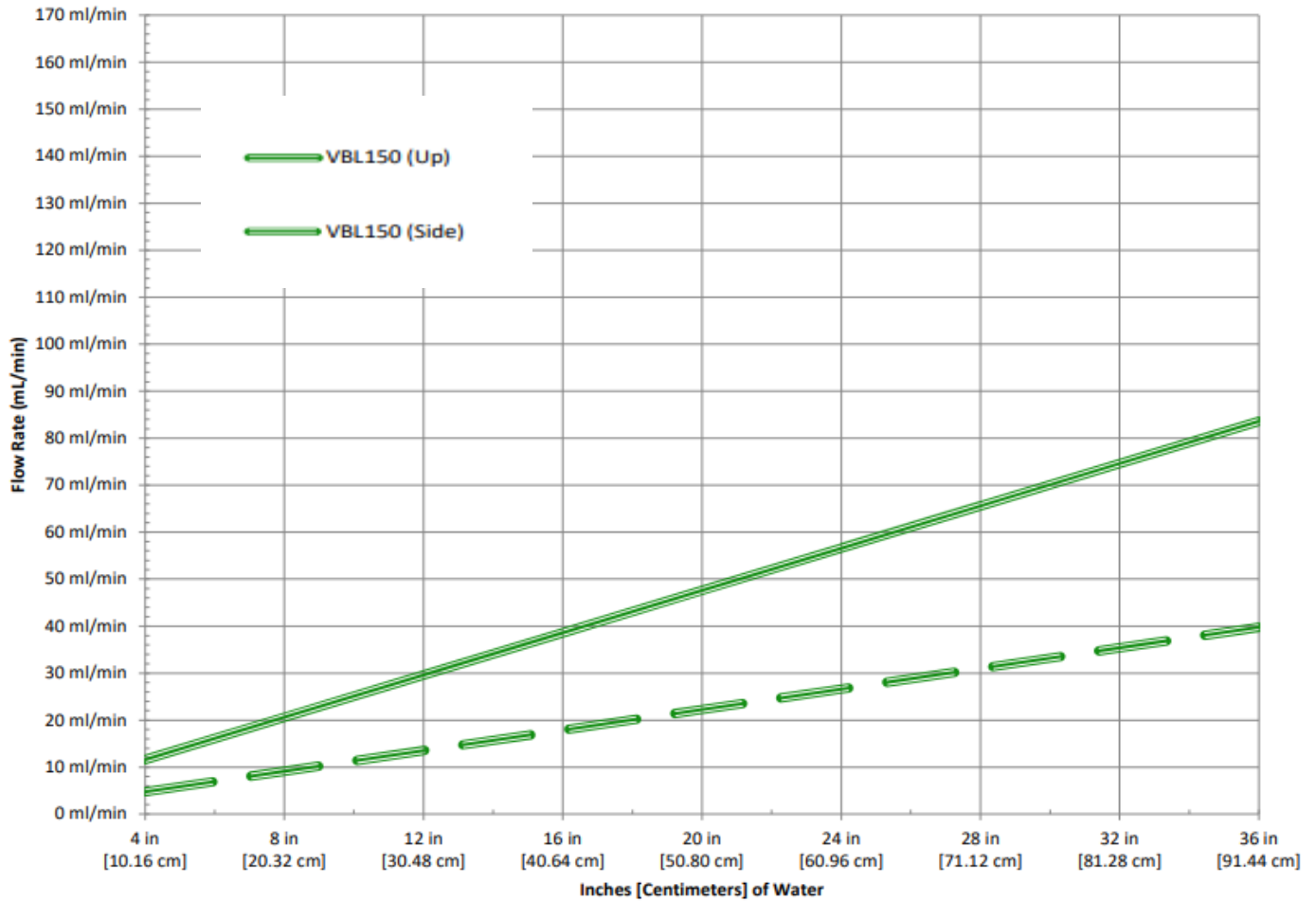
<b>VW101-B WINCHING SYSTEM INCLUDES:</b>			SHIP WEIGHT		EXTENDED LIST PRICE
			LBS.	KG.	
Part Number	Qty	ITEM DESCRIPTION			
VB312	1	2000 lb. overhead manual winch	10.50	4.76	
VC343	16	Cable, 1/8", 7x7 galvanized	0.02	0.01	
VC354	12	Cable clamp	0.02	0.01	
780017	2	Return Spring	1.70	0.77	
615321	2	PVC Spring Cover - 2' PVC Pipe (1 per winch)	0.65	0.29	
VT194	0.4	1 1/2" Plain PVC Pipe (10 FT.)	3.25	1.47	

Note: Winches to be mounted to rigid surface. (Not supplied with kits.)



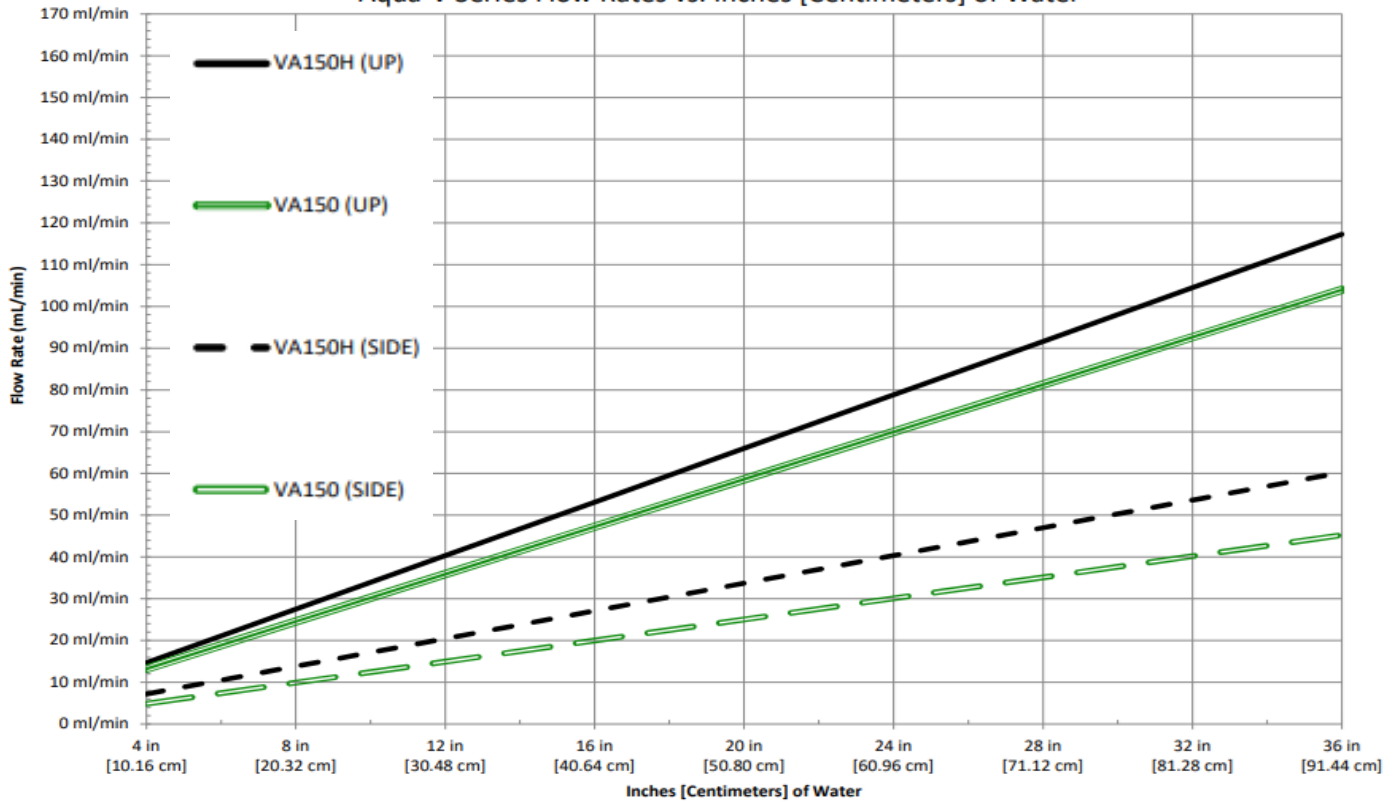
## Drinker Options - Flow Rates

Broiler / Layer Drinker Flow Rates vs. Inches [Centimeters] of Water

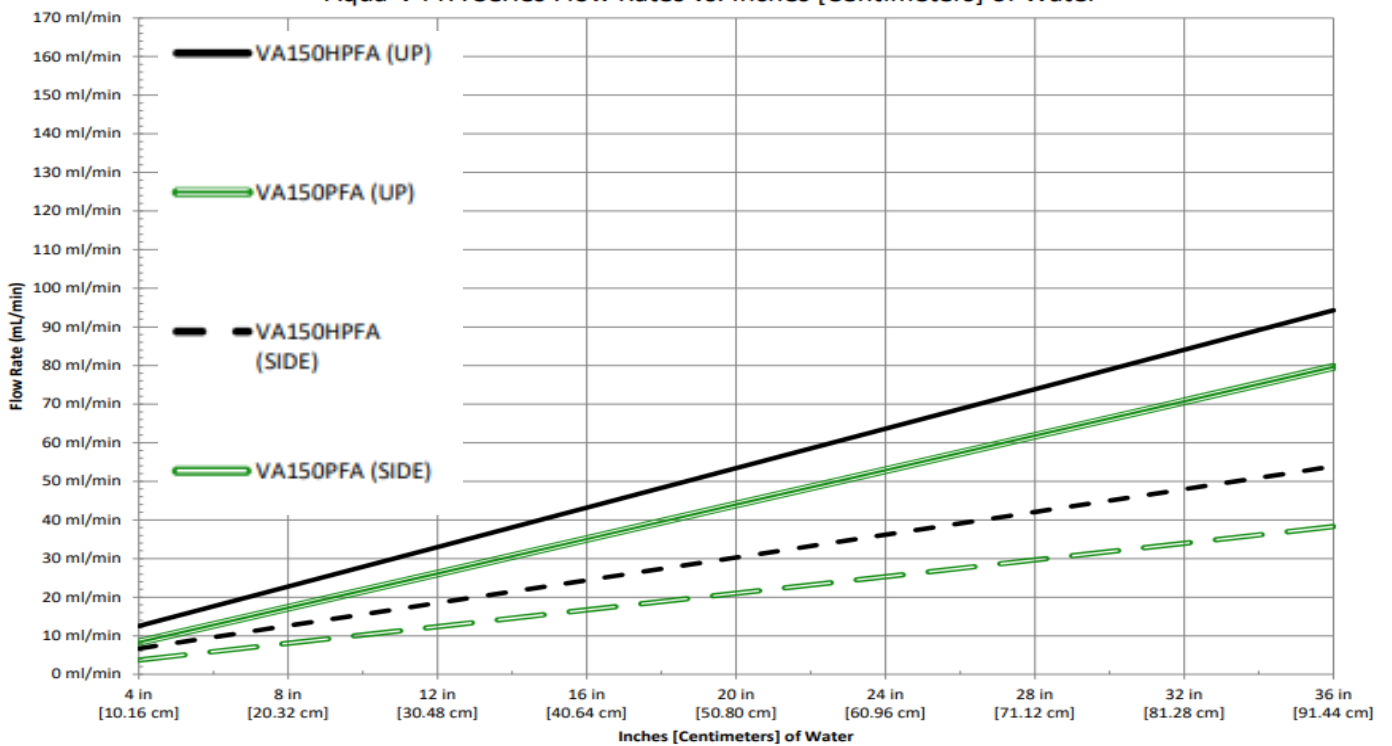


## Drinker Options - Flow Rates

Aqua-V Series Flow Rates vs. Inches [Centimeters] of Water



Aqua-V PFA Series Flow Rates vs. Inches [Centimeters] of Water



## START-GROW WATERING OPTIONS

CATALOG #	ITEM DESCRIPTION	SHIP WEIGHT		LIST PRICE
		Lbs	KG.	
VD150	Dummy Drinker	0.01	0.00	
VBL150	Layer Drinker	0.02	0.01	
VBL150-QE100	Layer Drinker - Quantity 100	2.45	1.11	
VBL150-QE500	Layer Drinker - Quantity 500	12.25	5.56	
VA150	Aqua-V Drinker	0.02	0.01	
VA150-QE100	Aqua-V Drinker - Quantity 100	2.45	1.11	
VA150-QE500	Aqua-V Drinker - Quantity 500	12.25	5.56	
VA150H	Aqua-V Drinker High Flow	0.02	0.01	
VA150H-QE100	Aqua-V Drinker High Flow - Quantity 100	2.45	1.11	
VA150H-QE500	Aqua-V Drinker High Flow - Quantity 500	12.25	5.56	
VA150PFA	Aqua-V Drinker High Flow PFA	0.02	0.01	
VA150PFA-QE100	Aqua-V Drinker High Flow PFA - Quantity 100	2.45	1.11	
VA150PFA-QE500	Aqua-V Drinker High Flow PFA - Quantity 500	12.25	5.56	
VA150HPFA	Aqua-V Drinker High Flow PFA	0.02	0.01	
VA150HPFA-QE100	Aqua-V Drinker High Flow PFA - Quantity 100	2.45	1.11	
VA150HPFA-QE500	Aqua-V Drinker High Flow PFA - Quantity 500	12.25	5.56	
VL150THD	Layer Drinker Threaded	0.02	0.01	
VL150THD-QE100	Layer Drinker Threaded - Quantity 100	2.45	1.11	
VL150THD-QE500	Layer Drinker Threaded - Quantity 500	12.25	5.56	
VR150ZS	Roaster Drinker with Ziggity Short Plug	0.02	0.01	

**Minimum order of 2000 Drinkers. Use -QE numbers for quantities less than 2000 Drinkers.**

### Drinker Repair Parts

VAL-TOOL	Drinker Tool - New Style Universal	0.03	0.01	
VO140	O-Ring For Val Drinker Drinkers	0.00	0.00	
VS146	Saddle Standard (Replaces VS146C)	0.01	0.00	
VS146-Q500	Saddle Standard (Replaces VS146C) - Box of 500	5.60	2.54	

### Replacement Standpipe Parts

820294	Direct replacement standpipe TruSeal cap for flexible standpipes	0.05	0.02	
820295	Direct replacement standpipe TruSeal cap for rigid standpipes	0.05	0.02	
820348	TruSeal rigid standpipe kit. Includes cap and float ball	0.06	0.03	
820349	TruSeal flex standpipe kit. Includes cap and float ball	0.06	0.03	
VC025TS	TruSeal flex cap kit includes cap and glue on adapter	0.06	0.03	
VC075TS	TruSeal rigid cap kit includes cap and glue on adapter	0.06	0.03	
VS130	Spring for 18" flex standpipe when using TruSeal Cap	0.17	0.07	
VS132	Spring for 24" flex standpipe when using TruSeal Cap	0.23	0.10	
VS133	Spring for 30" flex standpipe when using TruSeal Cap	0.24	0.11	
VS134	Spring for 36" flex standpipe when using TruSeal Cap	0.34	0.15	
VSP12RA	RIGID SP ASSY, 12", 1/2" NPT	0.15	0.07	
VSP18RA	RIGID SP ASSY, 18", 1/2" NPT	0.19	0.09	
VSP24RA	RIGID SP ASSY, 24", 1/2" NPT	0.23	0.11	
VSP30RA	RIGID SP ASSY, 30", 1/2" NPT	0.27	0.12	
VSP36RA	RIGID SP ASSY, 36", 1/2" NPT	0.32	0.14	
VSP24FY	FLEX SP ASSY, 24", Replacement [Flex Tube & Truseal]	0.11	0.05	

## START-GROW WATERING OPTIONS

### PVC PIPE & CONNECTORS

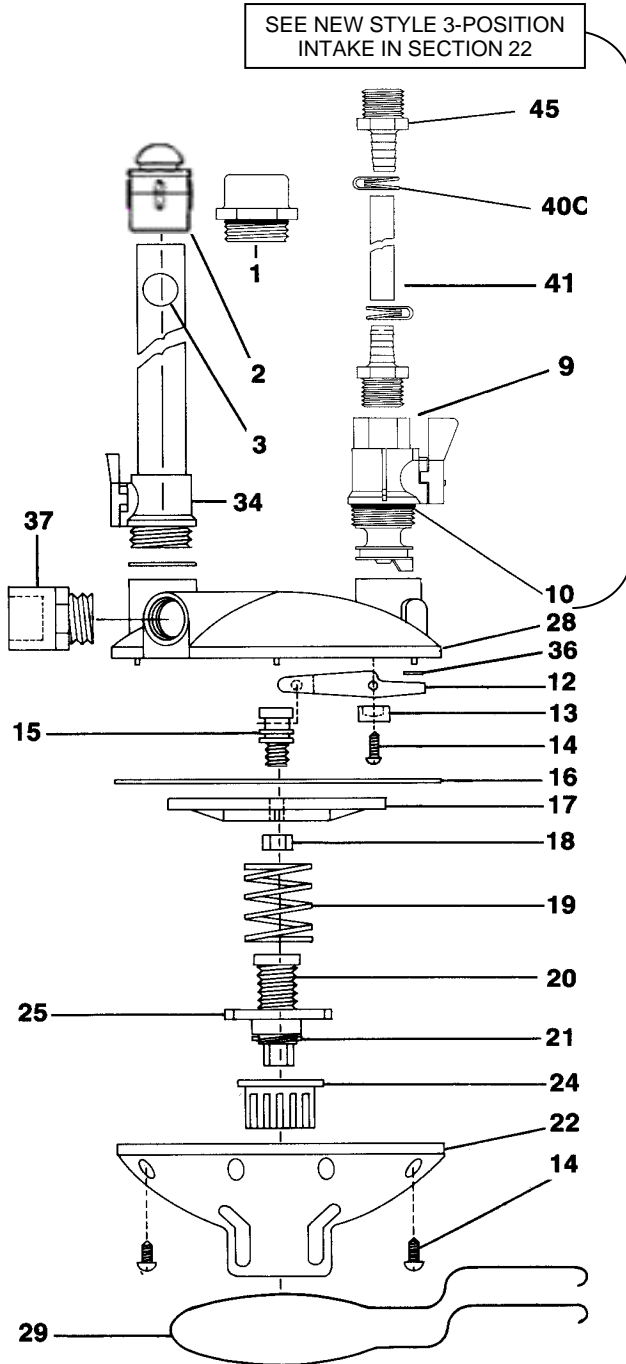
NOTE: Call for order info, pricing and availability of pipe only (PVC pipe with glued saddles)

CATALOG #	ITEM DESCRIPTION	SHIP WEIGHT		LIST PRICE
		LBS.	KG.	
VC100	PVC Pipe Cutter (1 1/4" Max Diameter)	1.05	0.48	
730415	PVC Cement Glue (1/2 Pint)	1.00	0.45	
VG124	PVC Cement Glue (Pint)	1.14	0.52	
VG125	PVC Cement Glue (Quart)	2.14	0.97	
VC210	PVC Cleaner (1/2 Pint)	0.59	0.27	
VP001	10' x 3/4" Plain PVC Pipe	1.24	0.56	
VP008	8' X 3/4" Plain PVC Pipe	0.93	0.42	
VC145	3/4" Coupler W/ O-Ring	0.06	0.03	
BG220	10' .875" Small Square PVC Pipe	0.09	0.04	
VC243	Square-to-Round Connector (Large square pipe)	0.02	0.01	
VC143	Square-to-Round Connector (small square pipe)	0.02	0.01	
820270	Square-to-Square Flex Connector Assembly (small square pipe)	0.07	0.03	
820271	Square-to-Square Flex Connector Assembly (large square pipe)	0.06	0.03	

### PVC FITTINGS

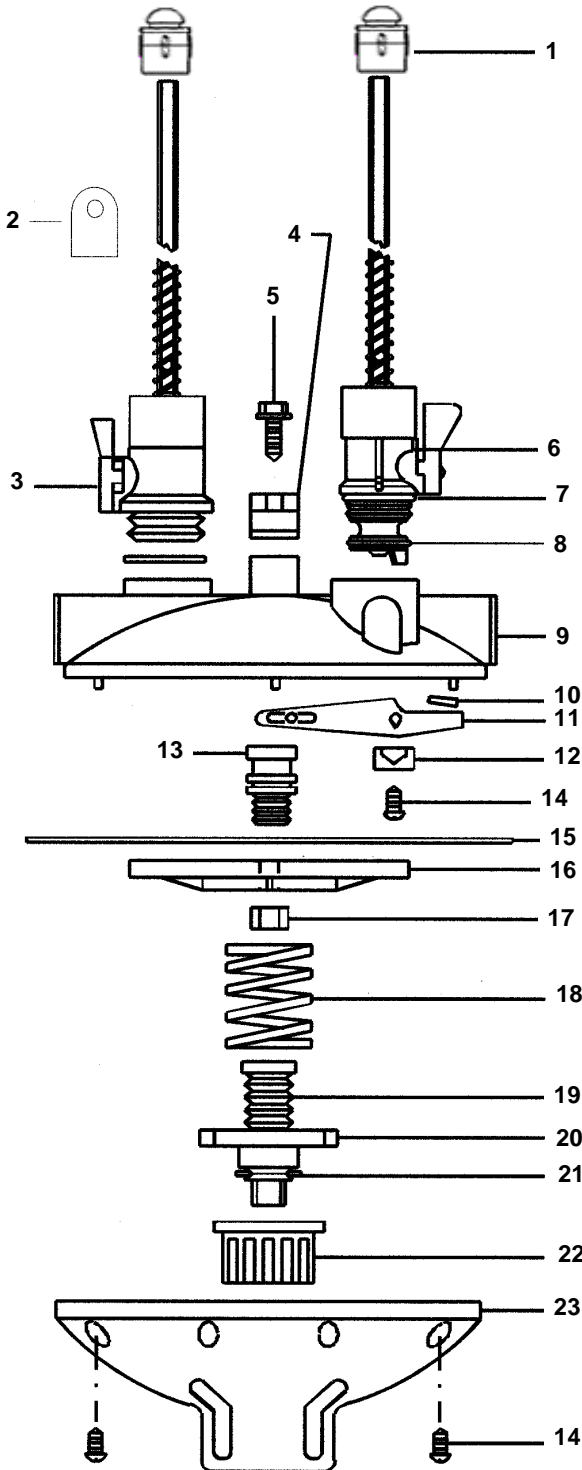
VC146	3/4" PVC Coupling SXS	0.30	0.14	
VC148	3/4" PVC Cross SXSXSXS	0.01	0.00	
VC400	3/4" PVC Cap	0.04	0.02	
VT100	3/4" PVC Tee SXSXS	0.01	0.00	
VT101	3/4" PVC Tee SXSX 1/2" Thread	0.10	0.04	
VT102	3/4" PVC 90 Ell SXS	0.08	0.04	
VT106	3/4" Female Slip X 1/2" FPT PVC Reducer	0.05	0.02	
VT107	3/4" Male Slip X 1/2" FPT Bushing	0.03	0.01	
VT130	3/4" PVC Tee SXSX Thread	0.01	0.00	
VT131	3/4" PVC Male Adapter SX Thread	0.04	0.02	
VT132	3/4" PVC Female Adapter SX Thread	0.05	0.02	
VT133	3/4" PVC 90 ELL SX Thread	0.04	0.02	
VT134	3/4" PVC 90 ELL SX 1/2" Thread	0.07	0.03	
VT135	3/4" PVC 90 Degree ELL SX 1/2" S	0.01	0.00	
VT141	1" PVC Male Adapter Thread X 3/4" S	0.01	0.00	
VT188	1/2" PVC Male Adapter 1/2" Slip X 1/2" Thread	0.03	0.02	
VT189	3/4" PVC Bushing SX 1/2" S Reducer	0.02	0.01	
VT190	1/2" PVC Tee SXSXS	0.00	0.00	
VT191	1/2" Coupling SXS	0.03	0.01	
VT192	1/2" PVC 90N ELL SXS	1.42	0.64	
VT195	1 1/2" X 3/4" Bushing SXS	0.12	0.05	
VT196	1 1/2" PVC Cross DWV Fitting	7.16	3.25	
VT197	1/2" Union SXS	0.01	0.00	
VT198	1 1/2" PVC Coupler	0.16	0.07	
VT199	1 1/2" PVC Tee	0.16	0.07	
VT200	1 1/2" 90 Degree PVC ELL	0.28	0.13	
VT201	3/4" X 3/4" X 1/2" Tee SXSXS	0.10	0.05	
VT202	Bushing 1-1/2" X 1/2" THD.	0.10	0.04	
VT203	Bushing 1-1/2" X 1/2" S	0.00	0.00	
VT204	Socket 1-1/2" X 1-1/2" Barbed	0.14	0.06	
VT205	PVC Tube Plug	0.03	0.01	
VX127	3/4" UNION S X S	0.16	0.07	

## VR-201 V-MAX REGULATOR



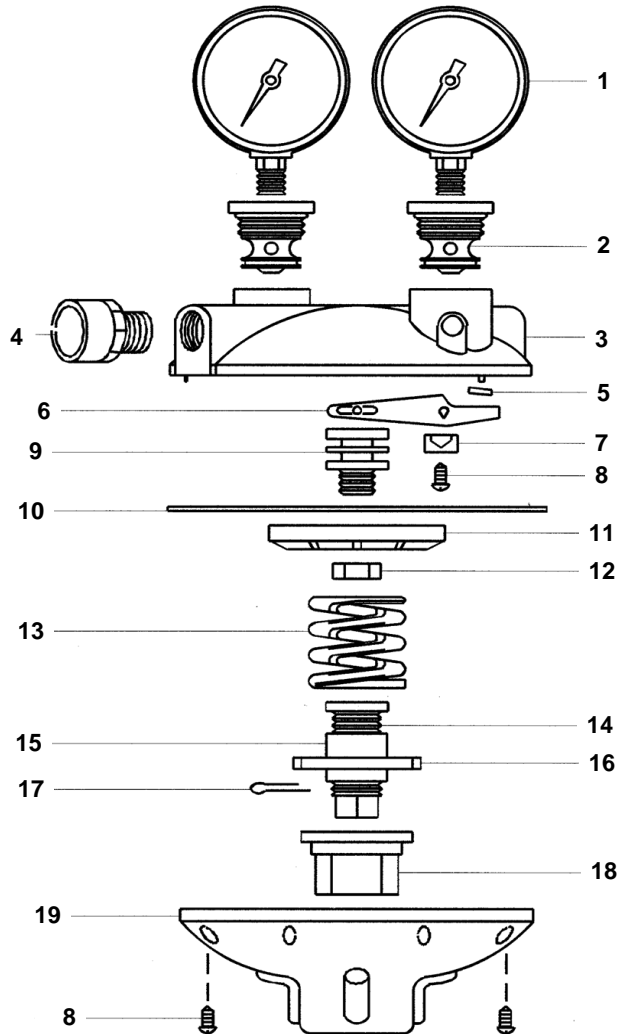
KEY	PART #	DESCRIPTION
1	VRP38	Regulator Plug
2	820294	Rigid TruSeal
3	VRP03	Standpipe Ball
9	VRP09	1/2" NPT Intake With Shutoff
	VRP09L	Low Pressure 1/2" NPT Intake W/Shutoff
10	VO145	O-Ring (Coupler)
12	VRP12G	Pivot
13	VRP13	Pivot Screw (2)
14	VRP14	Screw - Pivot Brkt (2) - Housing (9)
15	VRP15	Diaphragm Bolt
16	VRP16	Diaphragm
17	VRP52	Diaphragm Plate
18	VRP18	Diaphragm Nut
19	VRP19	Spring
20	VRP20	Adjustment Bolt
21	VRP21	Adjustment Bolt Pin
22	VRP22	Bottom Housing
24	VRP24	Adjustment Knob
25	VRP25	Adjustment collar
28	VRP28	Top Housing
29	VRP29	Optional Mounting Bracket
34		Standpipe (see page 25-04)
36	VRP36G	Seal
37	VT131	3/4" Male Adapter
40	VF204C	3/8" Hose Clamp
41	VRP48	PVC Yellow Reinforced Hose 3/8" 200 PSI
45	VRP45	1/2" Threaded Male Barb Hose Connector

## VR-204 V-MAX REGULATOR



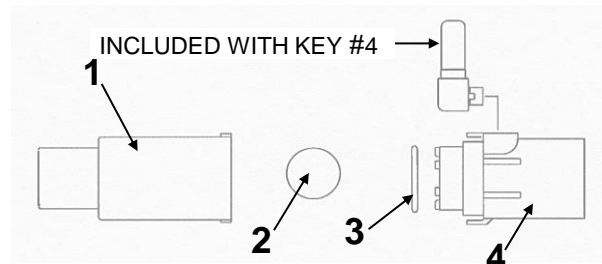
KEY	PART #	DESCRIPTION
1	820295	TruSeal Cap for Flex Standpipe
2	VRP42	(2) Mounting Brackets for Aluminum Extrusion
3		Standpipe - See page 22-04
4	VRP06	Pipe Clamp
5	VRP05-1	Screws for Pipe Clamp & Filter Bracket
6		Standpipe - See page 22-04
7	VO145	O-Ring for 3/4" Couplings
8	VRP31	O-Ring Seal
9	VRP32	Top Housing
10	VRP36G	Rubber Wafer Replacement
11	VRP12G	Pivot
12	VRP13	Pivot Brackets (Multiples of 2)
13	VRP15	Diaphragm Bolt
14	VRP14	Screw - 2 for Pivot Bracket or 9 for Bottom Housing
15	VRP16	Diaphragm
16	VRP52	Diaphragm Plate
17	VRP18	Diaphragm Nut
18	VRP19	Spring
19	VRP20	Adjustment Bolt
20	VRP25	Adjustment Collar
21	VRP21	Adjustment Bolt Pin
22	VRP24	Adjustment Knob
23	VRP22	Bottom Housing

## VR-205 V-MAX REGULATOR



KEY	PART #	
1	VG100	Oil Filled Pressure Gauge (0-100 PSI)
2	VRP57	Gauge Intake
3	VRP58	Top Housing
4	VT131	3/4" PVC Male Adapter SX thread
5	VRP36G	Rubber Wafer Replacement
6	VRP12G	Pivot - New Style
7	VRP13	Pivot Brackets
8	VRP14	Screw - 2 for Pivot Bracket or 9 for Bottom Housing
9	VRP15	Diaphragm Bolt
10	VRP51	Diaphragm
11	VRP52	Diaphragm Plate
12	VRP18	Diaphragm Nut
13	VRP53	Spring
14	VRP20	Adjustment Bolt Pin
15	VRP50	Diaphragm Spacer
	820224	Diaphragm 1/2 Spacer
16	VRP25	Adjustment Collar
17	VRP21	Adjustment Bolt Pin
18	VRP55	Adjustment Knob
19	VRP54	Bottom Housing

## VR209 REGULATOR REPAIRS



KEY	PART #	ITEM DESCRIPTION	List Price
1	VRP90	Left Housing with Stainless Steel Seat (SS Ball NOT Included) <i>Note: This part may be used in place of Left Housing &amp; Plunger on VR208 Regulator to convert to New Style VR209 Regulator.</i>	
2	VRP94	Stainless Steel Ball Only - 18mm 440CSS, Grade 25	
3	VO145	O-Ring for 3/4" Couplings	
4	VRP78	Right Housing with O-ring	



## REGULATOR REPAIRS

<b>NUMERICAL LIST OF REGULATOR REPAIRS</b>		SHIP WEIGHT		LIST PRICE
CATALOG #	ITEM DESCRIPTION	LBS.	KGS.	
820294	Auto Shutoff Cap for Flex Standpipe	0.05	0.02	
820295	Auto Shutoff Cap for Rigid Standpipe	0.05	0.02	
820334	Auto Shutoff Cap Replacement Seal for Flex Standpipe	0.00	0.00	
820335	Auto Shutoff Cap Replacement Seal for Rigid Standpipe	0.00	0.00	
PMHC3/4	3/4" Hose Clamp (2 req'd)	0.04	0.01	
PMTT6	7.5" Wire Tie	0.00	0.01	
RFV150	Flushing Intake Housing	0.18	0.08	
RFV151	Flushing Intake Cap	0.05	0.02	
RFV152	Flushing Intake Handle	0.04	0.02	
RFV153L	Flushing Intake Shaft Low Pressure	0.12	0.05	
RFV153S	Flushing Intake Shaft High Pressure	0.12	0.05	
RFV154	(2) Large O-Ring for RFV153	0.00	0.00	
RFV155	(2) Small O-Ring for RFV153	0.00	0.00	
RFV160	3-Position Intake	0.41	0.18	
RFV160L	3-Position Intake (Low Pressure)	0.41	0.18	
VF204C	Hose Clamp for 3/8" Urethane	0.01	0.01	
VG100	Oil Filled Pressure Gauge (0-100 PSI)	0.50	0.23	
VG100L	Oil Filled Pressure Gauge (0-15 PSI)	0.45	0.20	
VO145	O-Ring for 3/4" Couplings	0.00	0.00	
VO145S	O-Ring for RFV150	0.00	0.00	
VR202RK	Rebuild Kit for VR 202	1.14	0.52	
VRP03	5/8" Blue Rigid Standpipe Ball	0.01	0.00	
VRP03F	5/16 Blue Flex Standpipe Ball	0.00	0.00	
VRP05-1	Screws for Pipe Clamp & Filter Bracket	0.01	0.00	
VRP06	Pipe Clamp	0.06	0.03	
VRP09	1/2" NPT Intake With Shutoff	0.13	0.06	
VRP09L	1/2" NPT Low Press Intake With S/O	0.09	0.04	
VRP11	Top Housing - VR202 Regulator	0.56	0.25	
VRP119	O-Ring for Bottom of RVH114	0.00	0.00	
VRP12G	Pivot - New Style	0.03	0.01	
VRP13	Pivot Brackets (Multiples of 2)	0.00	0.00	
VRP14	Screw - 2 for Bracket or 9 for Bottom Housing	0.00	0.00	
VRP15	Diaphragm Bolt	0.02	0.01	
VRP16	Diaphragm	0.14	0.06	
VRP18	Diaphragm Nut	0.03	0.01	
VRP19	Spring	0.05	0.02	
VRP20	Adjustment Bolt Pin	0.03	0.01	
VRP21	Adjustment Bolt Pin	0.00	0.00	
VRP22	Bottom Housing	0.47	0.21	
VRP23	Top Housing - VR203 Regulator	0.60	0.27	

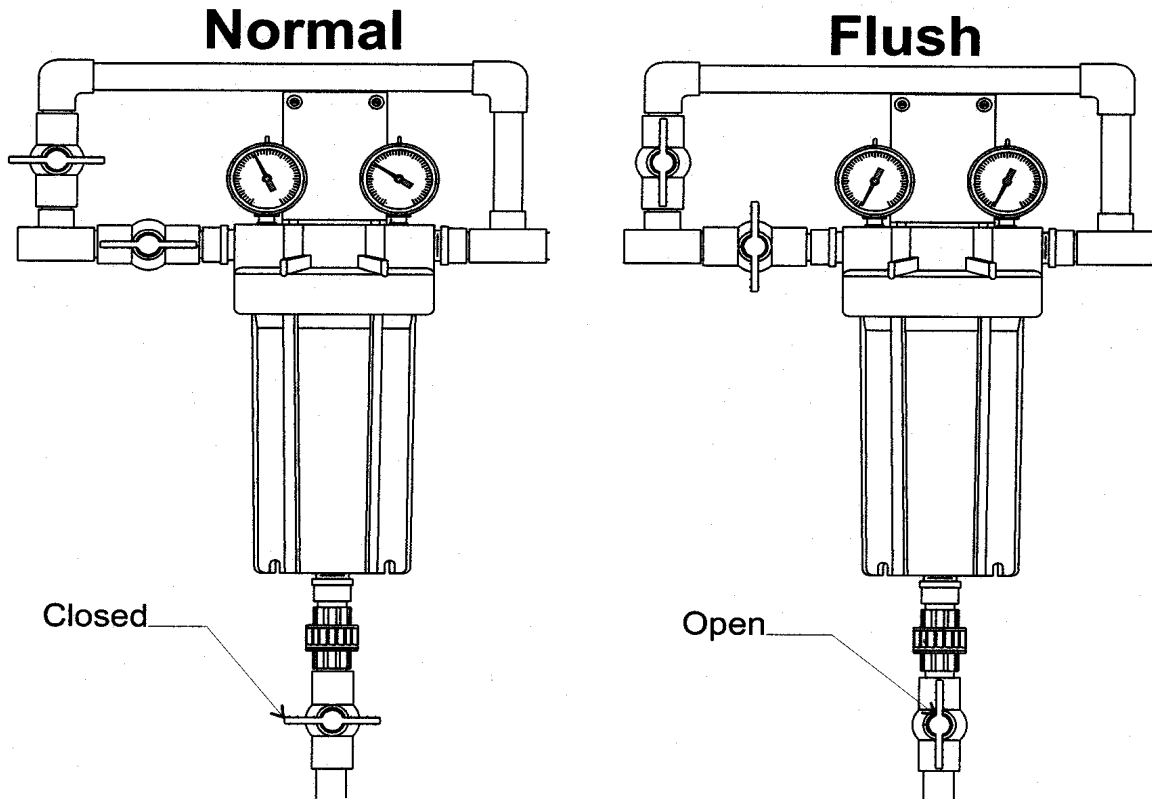
LISTING CONTINUED ON NEXT PAGE



## REGULATOR REPAIRS

NUMERICAL LIST OF REGULATOR REPAIRS		SHIP WEIGHT		LIST PRICE
		LBS.	KGS.	
CATALOG #	ITEM DESCRIPTION			
VRP24	Adjustment Knob	0.07	0.03	
VRP25	Adjustment Collar	0.03	0.01	
VRP28	Top Housing - VR201 Regulator	0.54	0.25	
VRP29	Regulator Mounting Bracket to Cage	0.39	0.18	
VRP30F	Intake With Shutoff (Flex)	0.12	0.05	
VRP31	O-Ring Seal - .867" ID	0.00	0.00	
VRP32	Top Housing - VR204 Regulator	0.61	0.28	
VRP38	Regulator Plug	0.04	0.28	
VRP36G	Rubber Wafer Replacement	0.00	0.00	
VRP42	Set of 2 Mounting Brackets for Aluminum Extrusion	0.01	0.00	
VRP45	1/2" Threaded Male Hose Connector (3/8" Barb)	0.01	0.00	
VRP48	PVC Yellow Reinforced Hose 3/8" 200 PSI (Drop Hose)	0.08	0.04	
VRP50	Diaphragm Spacer	0.01	0.01	
VRP51	Diaphragm	0.15	0.07	
VRP52	Diaphragm Plate	0.09	0.04	
VRP53	Spring	0.31	0.14	
VRP54	Bottom Housing	0.45	0.20	
VRP55	Adjustment Knob	0.07	0.03	
VRP57	Gauge Intake	0.04	0.02	
VRP58	Top Housing - VR205 Regulator	0.53	0.24	
VRP66	3/4" Barbed x 1/2" Male NPT Straight Fitting	0.01	0.01	
VRP67	3/4" Barbed Elbow x Female 3/4" NPT	0.06	0.03	
VRP67S	3/4" Barb x Female 3/4" NPT	0.05	0.03	
VRP68	3/4" Barbed Y Connector	0.05	0.03	
VRP76	3/4" Close Nipple Plastic	0.03	0.03	
VRP79	3/4" ID Yellow Hose - Per Foot	0.22	0.10	
VRP90	Left Housing With Stainless Steel Ball	0.11	0.05	
VRP94	Stainless Steel Ball Only - 18MM 440CSS, Grade 25	0.05	0.02	
VS130	Spring for 18" Flex Standpipe	0.17	0.07	
VS132	Spring for 24" Flex Standpipes	0.23	0.10	
VS133	Spring for 30" Flex Standpipes	0.24	0.10	
VS134	Spring for 36" Flex Standpipes	0.34	0.10	
VSC250	Body Only for VC025	0.00	0.00	
VSC251	Cap Only for VC025	0.01	0.00	
820335	Seal for VC025	0.00	0.00	
VSC750	Body Only for VC075	0.01	0.00	
VSC751	Cap Only for VC075	0.01	0.01	
820334	Seal for VC075	0.00	0.00	
VT131	3/4" PVC Male Adapter SX Thread	0.04	0.00	

## FILTER KIT REPAIRS



CATALOG NUMBER	ITEM DESCRIPTION	LIST PRICE
VF123	Bottom Housing for VF121 and VF122	
VF125	O-Ring for VF120 Filter Kit	
VF126	O-Ring for VF121 and VF122 Filter Kit	
VF128	Filter Bracket (Aluminum)	
VF129	Lid for Filter	
VG100	Oil Filled Pressure Gauge (0-100 PSI)	
VG100L	Oil Filled Pressure Gauge (0-15 PSI)	
VM121-10	Reusable Filter Cartridge for VF121/Vf122 (10 Micron) - Blue Dot	
VM121-30	Filter Cart. Poly - Fibrillated VF121/122 (30 Micron) - Black Dot	
VM121-50	Filter Cart. Poly - Fibrillated VF121/VF122 (50 Micron) - Red Dot	
VT131	3/4" PVC Male Adapter S X Thread	
VT141	1" PVC Male Adapter 1" Thread X 3/4" S	
VX127	3/4" Union S X S	