



---

## SECTION 06 VOLUME DROPS

### IN THIS CATALOG SECTION

PAGE NUMBER	CONTENTS
06-02	How To Order A Volume Drop System
06-03	Volume Drops - End Control Drops - Farrowing Tube Drops
06-04 thru 06-06	Drop Tubes - Trip Kits - Winches - Trip Cable

---

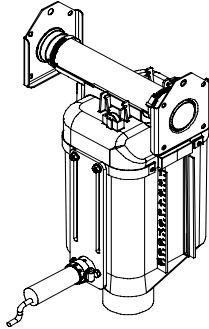
## SECTION 06 VOLUME DROPS

### HOW TO ORDER A VOLUME DROP SYSTEM

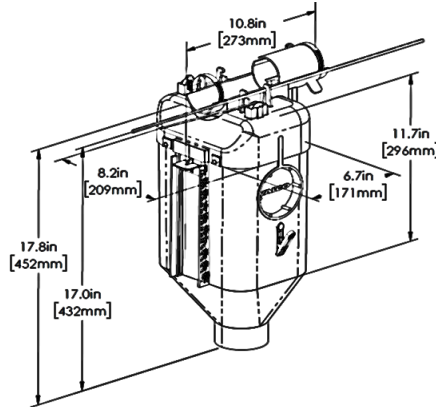
1. Order Bulk Bin and Model 720 Flexible Auger Fill System or Chain Disk System from separate catalog sections. If using a flexible auger fill system, delete the discharge head from your fill system order.
2. Order one end control drop or proximity sensor per line.
3. Order the required number of volume drops.
4. Order downspout tube and other accessories if needed.
5. Order manual trip kit or winch and accessories as needed, including trip cable. If tripping by winch, be sure to order 1 - 750051 Winch Accessory Kit per winch.

## VOLUME DROPS

780200 SURE-DROP END CONTROL UNIT



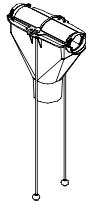
780100 SURE-DROP



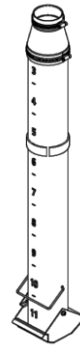
### SURE-DROP VOLUME DROP

CATALOG #	ITEM DESCRIPTION	SHIP WEIGHT		LIST PRICE
		LBS.	KG.	
780100	SURE-DROP Volume Drop With Mounting Hardware (for Model 720 2.25" Systems & Chain Disk Systems)	2.99	1.4	
780200	SURE-DROP End Control Drop With Mounting Hardware, Proximity Sensor, Switch Mount and Relay (for Model 720 2.25" Fill Systems Only)	10.07	4.6	
780350	Tube Mounted 220V Proximity Sensor for Chain Disk Systems (for use on Clear Tube Only)	1.70	0.8	

\*Max capacity of 50#, dependent on feed density



720550  
 2.25"-2.36" All-Out Drop



780401  
 SURE-DROP Farrowing Tube Drop

### FARROWING TUBE DROP

CATALOG #	ITEM DESCRIPTION	SHIP WEIGHT		LIST PRICE
		LBS.	KG.	
720550	2.25"-2.36" All-Out Poly Drop With Shutoff; fits Model 720 2.25" Fill Systems and 60mm Chain Disk Systems	1.30	0.59	
780401	SURE-DROP 12# Manual Farrowing Tube Drop connects to 720550 All-Out Drop with (1) 730431 SS downspout clamp (req'd)	4.30	1.95	
780428	Feed Commander Infra-Red Feed Sensor for 780401 4" Farrowing Tube Drop	1.64	0.74	
730431	3" SS Downspout Clamp	0.10	0.05	

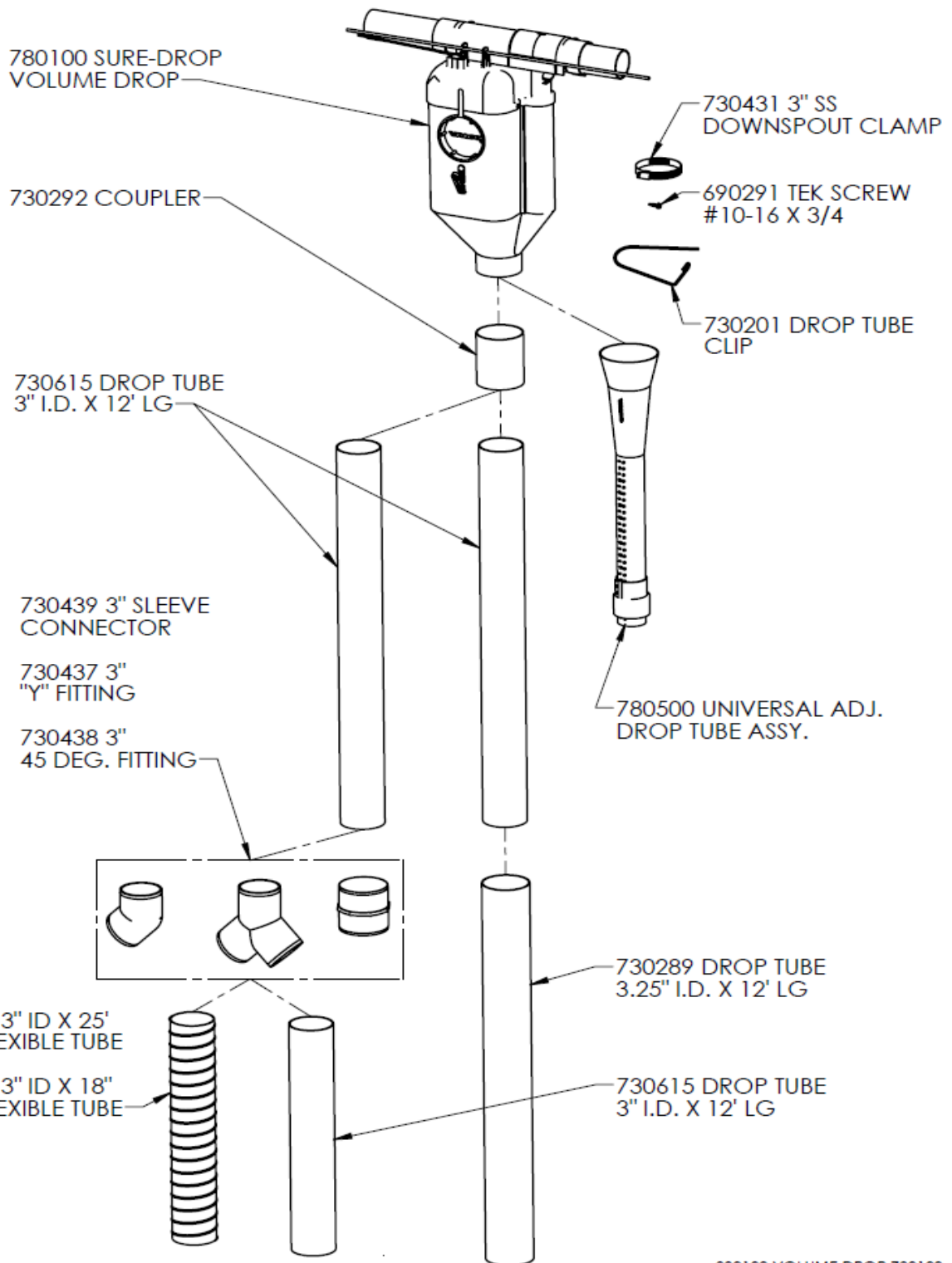


## VOLUME DROP DOWNSPOUT TUBES

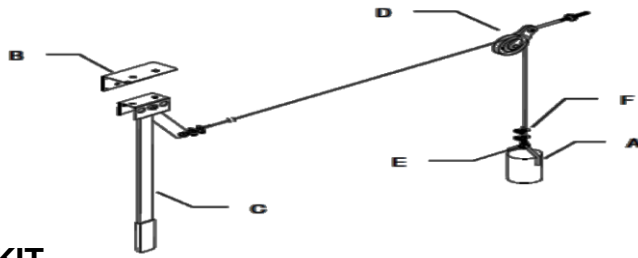
DROP TUBES		SHIP WEIGHT		LIST PRICE
		LBS.	KG.	
CATALOG #	ITEM DESCRIPTION			
780500	12" to 20" Adj. Drop Tube Assy. Connects 780100 to G-stall drop tube	0.80	0.4	
730292	Coupler	0.10	0.0	
730431	3" Stainless Steel Downspout Clamp	0.10	0.0	
690291	TEK Screw #10-16 X 3/4	0.02	0.0	
730289	3.25" I.D. x 12' Downspout Pipe Fits over 730615; connect with (1) 730201	3.08	1.4	
730615	3" I.D. X 12' Long Downspout Pipe	3.00	1.4	
730449	3" I.D. X 18" pvc flexible tube	0.40	0.2	
730480	3" I.D. X 25' pvc flexible tube	14.80	6.7	
730201	Drop Tube Wire Clip	0.10	0.0	
730445	3.5" Stainless Steel Downspout Clamp	0.08	0.0	
730437	3" "Y" Fitting	0.40	0.2	
730438	3" 45 DEG. Fitting	0.20	0.1	
735439	3.5" Downspout Sleeve Connector; connects to 730437, 730438	0.10	0.0	

*For more information on drop tube components see page 06-05*

### SURE-DROP VOLUME DROP DOWNSPOUT TUBES

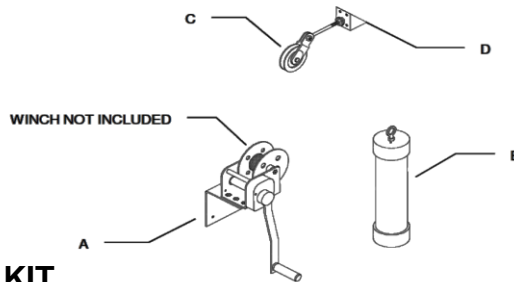


## MANUAL TRIP KIT & WINCHES



### MANUAL TRIP KIT

CATALOG #	ITEM DESCRIPTION	SHIP WEIGHT		LIST PRICE
		LBS.	KG.	
750027	Manual Trip Kit for Volume Drops - Includes Lever, Pulley, Mounting Brackets, Counterweight and Installation Hardware - 1/8" cable not included. (Handles up to 30 drops)	20.80	9.4	



### WINCH ACCESSORY KIT

CATALOG #	ITEM DESCRIPTION	SHIP WEIGHT		LIST PRICE
		LBS.	KG.	
750051	Winch Accessory Kit With Pulleys, Mounting Brackets, Counterweight and Installation Hardware - For Volume Drops - Winch is NOT Included - Order Separately (VB317 handles up to 150 drops, VB315 up to 110 drops)	21.05	9.5	

**For more winching accessories please see Section 19 of this catalogue**