

SECTION 17 TURKEY PAN FEEDER

IN THIS CATALOG SECTION

PAGE NUMBER	CONTENTS
17-02	How to Place a Turkey Pan Feeder Order
17-03	Control Pans & Direct Drive Units
17-04	Boots - Hoppers - Pan Feeders
17-05	Tubes - Tube Clamps - Hangers - Auger
17-06	Anti Roost Items - Winched Feed Level Adjustment - Switches
17-07 thru 17-10	Feed Line Component Requirements - 3 Pans per 20' of Tube
17-11 thru 17-14	Feed Line Component Requirements - 2 Pans Per 10' Tube
17-15 thru 17-18	Feed Line Component Requirements - 3 Pans Per 10' Tube

REPAIRS

SEE REPAIR LISTING IN SEPARATE CATALOG

Other Turkey specific production products may be found in the Floor Watering and Scales Catalog Sections.

HOW TO ORDER TURKEY PAN FEEDERS

- Recommended Bird Density Per Pan:

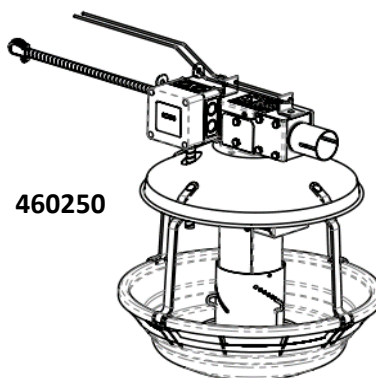
Recommended Density per Pan:
 Toms: 45-50
 Hens: 70-80
 (Densities will vary based upon finish weight.)
- Determine the number of feed lines and type of line needed (end fill or center fill).
- Refer to the feeder line component requirement charts on pages 17-07 thru 17-18.
- Select feeder line components as specified by the chart. See components listing on pages 17-03 thru 17-06.
- A complete feeder line order should include the following items:
 - End house control pan (2 per center fill line) - also mid-house control pan if required.
 - Motor & Gearbox Drive Unit per end control pan - farm duty motor if v-belt drive is selected.
 - Boot or Hopper Base with feed hopper/upper hopper.
 - Turkey Pan Feeder units.
 - Feed line tubes. Note that two different tubes must be ordered for a 3 pans per 20' of tube feed line.
 - Tube clamps (if required) and tube hangers.
 - Auger - must be ordered in full length rolls.
 - Anti-Roost Items as needed.
 - Feed control Switches and/or miscellaneous items as needed.
 - Winched feed level adjustment items if needed.
- Feed delivery rate based on 40 lbs. per cubic foot (640 kg. per cubic meter) is approximately 20 pounds (9 kgs.) per minute at 358 RPM with full restrictor shaft and mash feed.

TURKEY PAN FEEDING RECOMMENDATIONS						
Turkey Females	Age Weeks	Maximum Birds/Pan	Pan Dia. IN (CM)	Feeder Space IN (CM)	Pan Model	Part Numbers
Poults	0-5	65	13 (33)	40.8 (103.7)	PXP	460200
Poults	0-10	50	13 (33)	40.8 (103.7)	PXP	460200
Poults	0-5	70	14 (35.6)	44 (111.7)	Fuze Pro	Varied
Poults	0-10	55	14 (35.6)	44 (111.7)	Fuze Pro	Varied
Hens	5-15	80	17.5 (44.5)	55 (139.6)	PTF	460217
Hens	5-18	70	17.5 (44.5)	55 (139.6)	PTF	460217
Hens	5+	60	17.5 (44.5)	55 (139.6)	PTF	460217
Turkey Males	Age Weeks	Maximum Birds/Pan	Pan Diameter	Feeder Space IN (CM)	Pan Model	Part Numbers
Poults	0-5	60	13 (33)	40.8 (103.7)	PXP	460200
Poults	0-10	40	13 (33)	40.8 (103.7)	PXP	460200
Poults	0-5	65	14 (35.6)	44 (111.7)	Fuze Pro	Varied
Poults	0-10	45	14 (35.6)	44 (111.7)	Fuze Pro	Varied
Toms	5-15	50	17.5 (44.5)	55 (139.6)	PTF	460217
Toms	5-18	45	17.5 (44.5)	55 (139.6)	PTF	460217
Toms	5+	40	17.5 (44.5)	55 (139.6)	PTF	460217

CONTROL PANS & DIRECT DRIVE UNITS

CONTROL PANS

CATALOG #	ITEM DESCRIPTION	SHIP WEIGHT		LIST PRICE
		LBS.	KG.	
460250	End Control Pan Unit - Direct Drive For 460217 Feeder - Mechanical Switch	19.0	8.6	



DIRECT DRIVE MOTOR & GEARBOX UNITS 60HZ - SINGLE PHASE - 115/230V

CATALOG #	ITEM DESCRIPTION	SHIP WEIGHT		LIST PRICE
		LBS.	KG.	
460025	1/2 HP Direct Drive Motor & Gearbox - 358 RPM	38.1	17.3	
450397	1/2 HP Direct Drive Motor & Gearbox - 226 RPM	40.6	18.4	
450287	1/2 HP Direct Drive Motor & Gearbox - 657 RPM	40.6	18.4	

DIRECT DRIVE MOTOR & GEARBOX UNITS 60HZ - 3 PHASE - 208-230/460V

CATALOG #	ITEM DESCRIPTION	SHIP WEIGHT		LIST PRICE
		LBS.	KG.	
450391	1/2 HP Direct Drive Motor & Gearbox - 358 RPM	32.0	14.5	

DIRECT DRIVE MOTOR & GEARBOX UNITS 50HZ - SINGLE PHASE - 115/230V

CATALOG #	ITEM DESCRIPTION	SHIP WEIGHT		LIST PRICE
		LBS.	KG.	
450393	1/2 HP Direct Drive Motor & Gearbox - 368 RPM	35.5	16.1	

DIRECT DRIVE MOTOR & GEARBOX UNITS 50HZ - 3 PHASE - 208-230/460V OR 190/380V

CATALOG #	ITEM DESCRIPTION	SHIP WEIGHT		LIST PRICE
		LBS.	KG.	
450395	1/2 HP Direct Drive Motor & Gearbox - 368 RPM	28.8	13.1	

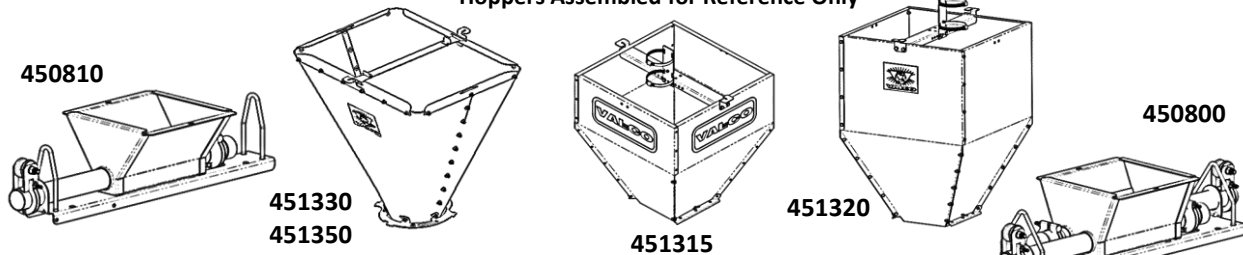
Additional RPM speeds available for all units - call for availability, pricing & order information.

BOOTS - HOPPERS - PAN FEEDERS

BOOTS - HOPPERS

CATALOG #	ITEM DESCRIPTION	SHIP WEIGHT		LIST PRICE
		LBS.	KG.	
460300	Single Outlet Boot Assembly (use 100 or 200 lb. hopper only - do not use 90 lb. hopper)	12.8	5.8	
460301	Double Outlet Boot Assembly (use 100 or 200 lb. hopper only - do not use 90 lb. hopper)	9.7	4.4	
451320	200 lb. Capacity Feed Hopper, Slip-In	35.0	15.9	
451315	100 lb. Capacity Feed Hopper, Slip-In	27.2	12.3	
450582	Cover for 200 lb. Feed Hopper	9.6	4.3	
450804	Cover for 100 lb. Hopper	9.3	4.2	
451330	150 lb. Capacity Poly Feed Hopper Kit - Ships Cone Assembled	19.7	8.9	
451350	150 lb. Capacity Poly Feed Hopper Kit - Ships Cone Flat	33.6	15.2	
451345	150 lb. Capacity Poly Feed Hopper Lid	6.3	2.9	
451022	100 lb. Extension for Feed Hopper	14.8	6.7	
460180	Hopper Suspension Kit, Slip-In * Only needed for boots sold prior to April 2018	8.0	3.6	

Hoppers Assembled for Reference Only



Adapter to Attach Feed Hoppers To Flexible Auger Lower Boot

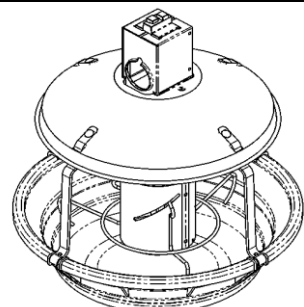
730375	Lower boot adapter to attach to Broiler Feed Hoppers	2.6	1.2	
--------	--	-----	-----	--

Hopper Level Control and Boot Switch

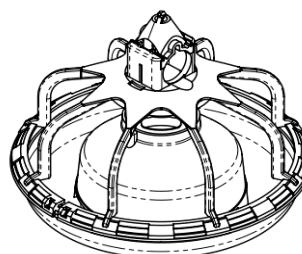
460057	Hopper Level Control Switch - Proximity	5.0	2.3	
720097	Adjustable-Mechanical hopper level control 220V, 20amp, 1-3phase, 50-60hz	4.8	2.2	
730965	Boot Safety Switch - Mechanical 110-220v, 20 amp, 1 phase, 50-60hz	1.1	0.5	
455800	Boot Safety Switch Proximity switch, 0-60 sec. delay, adj. sensitivity, 1P/220v/50-60	4.0	1.8	

PAN FEEDERS

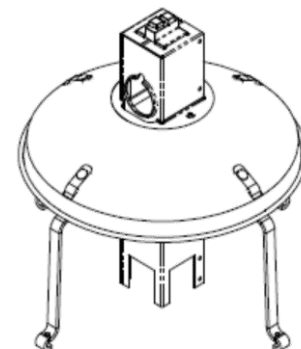
460217	PTF Turkey Feeder - Plastic Pan Feeder (New Style)	8.5	3.9	
460350	PTF Turkey Starter Feeder - High Flood Plastic Pan Feeder	1.85	0.8	
460280	PTF Turkey Feeder - 2 Piece Plastic Pan Feeder (New Style)	6.433	2.9	
460224	PTF Conversion Kit - Old to New. Includes pan shield, struts, tube support and hardware	6.17	2.8	



460217
PTF FEEDER - PLASTIC PAN
 (Long Pan Support Strut)



460350
TURKEY HIGH FLOOD
STARTER FEEDER



460224 Old to New Conversion Kit

TUBES - TUBE CLAMPS - HANGERS - AUGER

SMOOTH TUBE (TUBE CLAMP REQUIRED)

CATALOG #	ITEM DESCRIPTION	SHIP WEIGHT		LIST PRICE
		LBS.	KG.	
460121	10' Tube - 1 Hole (for 3 pans per 20')	10.1	4.6	
460122	10' Tube - 2 Hole (for 3 pans per 20')	10.1	4.6	
460102	10' Tube - 2 Hole	10.1	4.6	
460123	10' Tube - 3 Hole	10.1	4.6	

Repair/Replacement Tubes Shipped prior to May 1, 2017

460101	10' Tube - 1 Hole (for 3 pans per 20')	10.1	4.6	
460104	10' Tube - 2 Hole (for 3 pans per 20')	10.1	4.6	
460103	10' Tube - 3 Hole	10.1	4.6	

TUBE CLAMP & HANGERS

CATALOG #	ITEM DESCRIPTION	SHIP WEIGHT		LIST PRICE
		LBS.	KG.	
460022	2" Tube Clamp	0.3	0.1	
720220	2" Tube Hanger	0.3	0.1	

AUGER

CATALOG #	ITEM DESCRIPTION	SHIP WEIGHT		LIST PRICE
		LBS.	KG.	
450450-205	205' Roll - 1.438" O.D. Auger	71.8	32.5	
450450-225	225' Roll - 1.438" O.D. Auger	78.8	35.7	
450450-245	245' Roll - 1.438" O.D. Auger	85.8	38.9	
450450-265	265' Roll - 1.438" O.D. Auger	92.8	42.1	
450450-285	285' Roll - 1.438" O.D. Auger	99.8	45.2	
450450-305	305' Roll - 1.438" O.D. Auger	106.8	48.4	
450450-325	325' Roll - 1.438" O.D. Auger	113.8	51.6	
450450-345	345' Roll - 1.438" O.D. Auger	120.8	54.8	
450450-365	365' Roll - 1.438" O.D. Auger	127.8	57.9	
450450-385	385' Roll - 1.438" O.D. Auger	134.8	61.1	
450450-405	405' Roll - 1.438" O.D. Auger	141.8	64.3	
450450-425	425' Roll - 1.438" O.D. Auger	148.8	67.5	
450450-445	445' Roll - 1.438" O.D. Auger	155.8	70.6	
450450-465	465' Roll - 1.438" O.D. Auger	162.8	73.8	
450450-485	485' Roll - 1.438" O.D. Auger	169.8	77.0	
450450-505	505' Roll - 1.438" O.D. Auger	176.8	80.2	

Auger must be ordered in full length rolls.

WINCHED FEED LEVEL - ANTI ROOST - SWITCHES

ANTI-ROOST ITEMS

CATALOG #	ITEM DESCRIPTION	SHIP WEIGHT		LIST PRICE
		LBS.	KG.	
460075	Insulator Bracket & Tube Clamp Assembly Use With Tubes That Require Tube Clamp	0.7	0.3	
450437	Spring for Anti-Roost Shocker Wire	0.1	0.1	
VG342	1/16" Anti-Roost Wire	0.0	0.0	
VC353	1/16" Clamp for Anti-Roost Wire	0.0	0.0	
820461	Shocker Unit - 60hz - 110V	3.0	1.4	
820458	Shocker Unit - 50hz - 220V	2.8	1.3	
VR440	Shocker Unit - Solar	2.9	1.3	

FEED CONTROL SWITCHES

CATALOG #	ITEM DESCRIPTION	SHIP WEIGHT		LIST PRICE
		LBS.	KG.	
720097	Hopper Level Switch - Mechanical Switch	4.8	2.2	
460057	Hopper Level Switch - Proximity Switch	5.0	2.3	

WINCHED FEED LEVEL ADJUSTMENT ITEMS

CATALOG #	ITEM DESCRIPTION	SHIP WEIGHT		LIST PRICE
		LBS.	KG.	
460072	600 lb. Winch Kit For maximum recommended length of 200 feet (61 meters).	10.0	4.5	
460071	Adjuster Drop Cable	0.05	0.0	
VC355	3/16" Galvanized Cable Clamp	0.06	0.0	
VC343	1/8" Galvanized 7x7 Cable	0.02	0.0	



3 PANS PER 20' OF TUBE - SINGLE BOOT / END FILL

ITEMS TO SELECT ↓	FEET → METERS →	FEED LINE LENGTH															
		60	70	80	90	100	110	120	130	140	150	160	170	180	190	200	
End House Control Pan		1	1	1	1	1	1	1	1	1	1	1	1	1	1	1	
1/2 HP Motor & Gearbox or Motor		1	1	1	1	1	1	1	1	1	1	1	1	1	1	1	
Feed Hopper/Upper Hopper		1	1	1	1	1	1	1	1	1	1	1	1	1	1	1	
Single Outlet Boot		1	1	1	1	1	1	1	1	1	1	1	1	1	1	1	
Turkey Pan Feeder Station		9	10	12	13	15	16	18	19	21	22	24	25	27	28	30	
10' Tube - 1 Hole (3/20')		3	4	4	5	5	6	6	7	7	8	8	9	9	10	10	
10' Tube - 2 Holes (3/20')		3	3	4	4	5	5	6	6	7	7	8	8	9	9	10	
Tube Clamp		5	6	7	8	8	9	10	11	12	12	13	14	15	16	16	
Tube Hanger		8	9	10	11	13	14	15	16	18	19	20	21	23	24	25	
1.438" OD Auger (Feet)		60	70	80	90	100	110	120	130	140	150	160	170	180	190	200	
Insulator Bracket & Clamp		1	1	1	1	2	2	2	2	2	3	3	3	3	3	4	
Spring for Anti-Roost Wire		1	1	1	1	2	2	2	2	2	3	3	3	3	3	4	
1/16" Anti-Roost Wire		80	90	100	110	120	130	140	150	160	170	180	190	200	210	220	
FOR WINCHED FEED LEVEL ADJUSTMENT																	
460072 600 lb. Winch Kit		1	1	1	1	1	1	1	1	1	1	1	1	1	1	1	
460071 Adjuster Drop Cable		18	20	24	26	30	32	36	38	42	44	48	50	54	56	60	
VC355 3/16" Galv. Cable Clamp		9	10	12	13	15	16	18	19	21	22	24	25	27	28	30	
VC343 1/8" Galv. 7x7 Cable		80	90	100	110	120	130	140	150	160	170	180	190	200	210	220	

ITEMS TO SELECT ↓	FEET → METERS →	FEED LINE LENGTH															
		210	220	230	240	250	260	270	280	290	300	310	320	330	340	350	
End House Control Pan		1	1	1	1	1	1	1	1	1	1	1	1	1	1	1	
1/2 HP Motor & Gearbox or Motor		1	1	1	1	1	1	1	1	1	1	1	1	1	1	1	
Feed Hopper/Upper Hopper		1	1	1	1	1	1	1	1	1	1	1	1	1	1	1	
Single Outlet Boot		1	1	1	1	1	1	1	1	1	1	1	1	1	1	1	
Turkey Pan Feeder Station		31	33	34	36	37	39	40	42	43	45	46	48	49	51	52	
10' Tube - 1 Hole (3/20')		11	11	12	12	13	13	14	14	15	15	16	16	17	17	18	
10' Tube - 2 Holes (3/20')		10	11	11	12	12	13	13	14	14	15	15	16	16	17	17	
Tube Clamp		17	18	19	20	20	21	22	23	23	24	25	26	27	27	28	
Tube Hanger		26	28	29	30	31	33	34	35	36	38	39	40	41	43	44	
1.438" OD Auger (Feet)		210	220	230	240	250	260	270	280	290	300	310	320	330	340	350	
Insulator Bracket & Clamp		4	4	4	4	5	5	5	5	6	6	6	6	6	7	7	
Spring for Anti-Roost Wire		4	4	4	4	5	5	5	5	6	6	6	6	6	7	7	
1/16" Anti-Roost Wire		230	240	250	260	270	280	290	300	310	320	330	340	350	360	370	
FOR WINCHED FEED LEVEL ADJUSTMENT																	
460072 600 lb. Winch Kit		2	2	2	2	2	2	2	2	2	2	2	2	2	2	2	
460071 Adjuster Drop Cable		62	66	68	72	74	78	80	84	86	90	92	96	98	102	104	
VC355 3/16" Galv. Cable Clamp		31	33	34	36	37	39	40	42	43	45	46	48	49	51	52	
VC343 1/8" Galv. 7x7 Cable		230	240	250	260	270	280	290	300	310	320	330	340	350	360	370	



3 PANS PER 20' OF TUBE - SINGLE BOOT / END FILL

ITEMS TO SELECT ↓	FEED LINE LENGTH															
	FEET →	360	370	380	390	400	410	420	430	440	450	460	470	480	490	500
	METERS →	110	113	116	119	122	125	128	131	134	137	140	143	146	149	152
End House Control Pan	1	1	1	1	1	1	1	1	1	1	1	1	1	1	1	1
1/2 HP Motor & Gearbox or Motor	1	1	1	1	1	1	1	1	1	1	1	1	1	1	1	1
Feed Hopper/Upper Hopper	1	1	1	1	1	1	1	1	1	1	1	1	1	1	1	1
Single Outlet Boot	1	1	1	1	1	1	1	1	1	1	1	1	1	1	1	1
Turkey Pan Feeder Station	54	55	57	58	60	61	63	64	66	67	69	70	72	73	75	
10' Tube - 1 Hole (3/20')	18	19	19	20	20	21	21	22	22	23	23	24	24	25	25	
10' Tube - 2 Holes (3/20')	18	18	19	19	20	20	21	21	22	22	23	23	24	24	25	
Tube Clamp	29	30	31	31	32	33	34	35	35	36	37	38	39	39	40	
Tube Hanger	45	46	48	49	50	51	53	54	55	56	58	59	60	61	63	
1.438" OD Auger (Feet)	360	370	380	390	400	410	420	430	440	450	460	470	480	490	500	
Insulator Bracket & Clamp	7	7	7	8	8	8	8	8	9	9	9	9	9	10	10	
Spring for Anti-Roost Wire	7	7	7	8	8	8	8	8	9	9	9	9	9	10	10	
1/16" Anti-Roost Wire	380	390	400	410	420	430	440	450	460	470	480	490	500	510	520	
FOR WINCHED FEED LEVEL ADJUSTMENT																
460072 600 lb. Winch Kit	2	2	2	2	2	3	3	3	3	3	3	3	3	3	3	
460071 Adjuster Drop Cable	108	110	114	116	120	122	126	128	132	134	138	140	144	146	150	
VC355 3/16" Galv. Cable Clamp	54	55	57	58	60	61	63	64	66	67	69	70	72	73	75	
VC343 1/8" Galv. 7x7 Cable	380	390	400	410	420	430	440	450	460	470	480	490	500	510	520	



3 PANS PER 20' OF TUBE - DOUBLE BOOT / CENTER FILL

ITEMS TO SELECT ↓	FEET → METERS →	FEED LINE LENGTH														
		160	170	180	190	200	210	220	230	240	250	260	270	280	290	300
End House Control Pan		2	2	2	2	2	2	2	2	2	2	2	2	2	2	
1/2 HP Motor & Gearbox or Motor		2	2	2	2	2	2	2	2	2	2	2	2	2	2	
Feed Hopper/Upper Hopper		1	1	1	1	1	1	1	1	1	1	1	1	1	1	
Double Outlet Boot		1	1	1	1	1	1	1	1	1	1	1	1	1	1	
Turkey Pan Feeder Station		24	25	27	28	30	31	33	34	36	37	39	40	42	43	45
10' Tube - 1 Hole (3/20')		8	9	9	10	10	11	11	12	12	13	13	14	14	15	15
10' Tube - 2 Holes (3/20')		8	8	9	9	10	10	11	11	12	12	13	13	14	14	15
Tube Clamp		14	15	16	17	16	17	18	19	20	21	22	23	24	25	24
Tube Hanger		20	21	23	24	25	26	28	29	30	31	33	34	35	36	38
1.438" OD Auger (Feet)		160	170	180	190	200	210	220	230	240	250	260	270	280	290	300
Insulator Bracket & Clamp		2	2	2	2	4	4	4	4	4	4	4	4	4	4	6
Spring for Anti-Roost Wire		2	2	2	2	4	4	4	4	4	4	4	4	4	4	6
1/16" Anti-Roost Wire		180	190	200	210	220	230	240	250	260	270	280	290	300	310	320
FOR WINCHED FEED LEVEL ADJUSTMENT																
460072 600 lb. Winch Kit		2	2	2	2	2	2	2	2	2	2	2	2	2	2	2
460071 Adjuster Drop Cable		48	50	54	56	60	62	66	68	72	74	78	80	84	86	90
VC355 3/16" Galv. Cable Clamp		24	25	27	28	30	31	33	34	36	37	39	40	42	43	45
VC343 1/8" Galv. 7x7 Cable		180	190	200	210	220	230	240	250	260	270	280	290	300	310	320

ITEMS TO SELECT ↓	FEET → METERS →	FEED LINE LENGTH														
		310	320	330	340	350	360	370	380	390	400	410	420	430	440	450
End House Control Pan		2	2	2	2	2	2	2	2	2	2	2	2	2	2	2
1/2 HP Motor & Gearbox or Motor		2	2	2	2	2	2	2	2	2	2	2	2	2	2	2
Feed Hopper/Upper Hopper		1	1	1	1	1	1	1	1	1	1	1	1	1	1	1
Double Outlet Boot		1	1	1	1	1	1	1	1	1	1	1	1	1	1	1
Turkey Pan Feeder Station		46	48	49	51	52	54	55	57	58	60	61	63	64	66	67
10' Tube - 1 Hole (3/20')		16	16	17	17	18	18	19	19	20	20	21	21	22	22	23
10' Tube - 2 Holes (3/20')		15	16	16	17	17	18	18	19	19	20	20	21	21	22	22
Tube Clamp		25	26	27	28	29	30	31	32	31	32	33	34	35	36	37
Tube Hanger		39	40	41	43	44	45	46	48	49	50	51	53	54	55	56
1.438" OD Auger (Feet)		310	320	330	340	350	360	370	380	390	400	410	420	430	440	450
Insulator Bracket & Clamp		6	6	6	6	6	6	6	6	8	8	8	8	8	8	8
Spring for Anti-Roost Wire		6	6	6	6	6	6	6	6	8	8	8	8	8	8	8
1/16" Anti-Roost Wire		330	340	350	360	370	380	390	400	410	420	430	440	450	460	470
FOR WINCHED FEED LEVEL ADJUSTMENT																
460072 600 lb. Winch Kit		2	2	2	2	2	2	2	2	2	2	4	4	4	4	4
460071 Adjuster Drop Cable		92	96	98	102	104	108	110	114	116	120	122	126	128	132	134
VC355 3/16" Galv. Cable Clamp		46	48	49	51	52	54	55	57	58	60	61	63	64	66	67
VC343 1/8" Galv. 7x7 Cable		330	340	350	360	370	380	390	400	410	420	430	440	450	460	470



3 PANS PER 20' OF TUBE - DOUBLE BOOT / CENTER FILL

ITEMS TO SELECT ↓	FEET → METERS →	FEED LINE LENGTH														
		460	470	480	490	500	510	520	530	540	550	560	570	580	590	600
End House Control Pan		2	2	2	2	2	2	2	2	2	2	2	2	2	2	
1/2 HP Motor & Gearbox or Motor		2	2	2	2	2	2	2	2	2	2	2	2	2	2	
Feed Hopper/Upper Hopper		1	1	1	1	1	1	1	1	1	1	1	1	1	1	
Double Outlet Boot		1	1	1	1	1	1	1	1	1	1	1	1	1	1	
Turkey Pan Feeder Station		69	70	72	73	75	76	78	79	81	82	84	85	87	88	90
10' Tube - 1 Hole (3/20')		23	24	24	25	25	26	26	27	27	28	28	29	29	30	30
10' Tube - 2 Holes (3/20')		23	23	24	24	25	25	26	26	27	27	28	28	29	29	30
Tube Clamp		38	39	40	39	40	41	42	43	44	45	46	47	46	47	48
Tube Hanger		58	59	60	61	63	64	65	66	68	69	70	71	73	74	75
1.438" OD Auger (Feet)		460	470	480	490	500	510	520	530	540	550	560	570	580	590	600
Insulator Bracket & Clamp		8	8	8	10	10	10	10	10	10	10	10	10	12	12	12
Spring for Anti-Roost Wire		8	8	8	10	10	10	10	10	10	10	10	10	12	12	12
1/16" Anti-Roost Wire		480	490	500	510	520	530	540	550	560	570	580	590	600	610	620
FOR WINCHED FEED LEVEL ADJUSTMENT																
460072 600 lb. Winch Kit		4	4	4	4	4	4	4	4	4	4	4	4	4	4	4
460071 Adjuster Drop Cable		138	140	144	146	150	152	156	158	162	164	168	170	174	176	180
VC355 3/16" Galv. Cable Clamp		69	70	72	73	75	76	78	79	81	82	84	85	87	88	90
VC343 1/8" Galv. 7x7 Cable		480	490	500	510	520	530	540	550	560	570	580	590	600	610	620

2 PANS PER 10' TUBE - SINGLE BOOT / END FILL

ITEMS TO SELECT ↓	FEET → METERS →	FEED LINE LENGTH														
		60	70	80	90	100	110	120	130	140	150	160	170	180	190	200
End House Control Pan		1	1	1	1	1	1	1	1	1	1	1	1	1	1	
1/2 HP Motor & Gearbox or Motor		1	1	1	1	1	1	1	1	1	1	1	1	1	1	
Feed Hopper/Upper Hopper		1	1	1	1	1	1	1	1	1	1	1	1	1	1	
Single Outlet Boot		1	1	1	1	1	1	1	1	1	1	1	1	1	1	
Turkey Pan Feeder Station		12	14	16	18	20	22	24	26	28	30	32	34	36	40	
10' Tube - 2 Holes		6	7	8	9	10	11	12	13	14	15	16	17	18	20	
Tube Clamp		5	6	7	8	8	9	10	11	12	12	13	14	15	16	
Tube Hanger		8	9	10	11	13	14	15	16	18	19	20	21	23	25	
1.438" OD Auger (Feet)		60	70	80	90	100	110	120	130	140	150	160	170	180	200	
Insulator Bracket & Clamp		1	1	1	1	2	2	2	2	2	3	3	3	3	4	
Spring for Anti-Roost Wire		1	1	1	1	2	2	2	2	2	3	3	3	3	4	
1/16" Anti-Roost Wire		80	90	100	110	120	130	140	150	160	170	180	190	200	210	220
FOR WINCHED FEED LEVEL ADJUSTMENT																
460072 600 lb. Winch Kit		1	1	1	1	1	1	1	1	1	1	1	1	1	1	1
460071 Adjuster Drop Cable		24	28	32	36	40	44	48	52	56	60	64	68	72	76	80
VC355 3/16" Galv. Cable Clamp		12	14	16	18	20	22	24	26	28	30	32	34	36	38	40
VC343 1/8" Galv. 7x7 Cable		80	90	100	110	120	130	140	150	160	170	180	190	200	210	220

ITEMS TO SELECT ↓	FEET → METERS →	FEED LINE LENGTH														
		210	220	230	240	250	260	270	280	290	300	310	320	330	340	350
End House Control Pan		1	1	1	1	1	1	1	1	1	1	1	1	1	1	
1/2 HP Motor & Gearbox or Motor		1	1	1	1	1	1	1	1	1	1	1	1	1	1	
Feed Hopper/Upper Hopper		1	1	1	1	1	1	1	1	1	1	1	1	1	1	
Single Outlet Boot		1	1	1	1	1	1	1	1	1	1	1	1	1	1	
Turkey Pan Feeder Station		42	44	46	48	50	52	54	56	58	60	62	64	66	68	70
10' Tube - 2 Holes		21	22	23	24	25	26	27	28	29	30	31	32	33	34	35
Tube Clamp		17	18	19	20	20	21	22	23	23	24	25	26	27	27	28
Tube Hanger		26	28	29	30	31	33	34	35	36	38	39	40	41	43	44
1.438" OD Auger (Feet)		210	220	230	240	250	260	270	280	290	300	310	320	330	340	350
Insulator Bracket & Clamp		4	4	4	4	5	5	5	5	6	6	6	6	6	7	7
Spring for Anti-Roost Wire		4	4	4	4	5	5	5	5	6	6	6	6	6	7	7
1/16" Anti-Roost Wire		230	240	250	260	270	280	290	300	310	320	330	340	350	360	370
FOR WINCHED FEED LEVEL ADJUSTMENT																
460072 600 lb. Winch Kit		2	2	2	2	2	2	2	2	2	2	2	2	2	2	2
460071 Adjuster Drop Cable		84	88	92	96	100	104	108	112	116	120	124	128	132	136	140
VC355 3/16" Galv. Cable Clamp		42	44	46	48	50	52	54	56	58	60	62	64	66	68	70
VC343 1/8" Galv. 7x7 Cable		230	240	250	260	270	280	290	300	310	320	330	340	350	360	370



2 PANS PER 10' TUBE - SINGLE BOOT / END FILL

ITEMS TO SELECT ↓	FEET → METERS →	FEED LINE LENGTH														
		360	370	380	390	400	410	420	430	440	450	460	470	480	490	500
End House Control Pan		1	1	1	1	1	1	1	1	1	1	1	1	1	1	
1/2 HP Motor & Gearbox or Motor		1	1	1	1	1	1	1	1	1	1	1	1	1	1	
Feed Hopper/Upper Hopper		1	1	1	1	1	1	1	1	1	1	1	1	1	1	
Single Outlet Boot		1	1	1	1	1	1	1	1	1	1	1	1	1	1	
Turkey Pan Feeder Station		72	74	76	78	80	82	84	86	88	90	92	94	96	100	
10' Tube - 2 Holes		36	37	38	39	40	41	42	43	44	45	46	47	48	50	
Tube Clamp		29	30	31	31	32	33	34	35	35	36	37	38	39	40	
Tube Hanger		45	46	48	49	50	51	53	54	55	56	58	59	60	63	
1.438" OD Auger (Feet)		360	370	380	390	400	410	420	430	440	450	460	470	480	500	
Insulator Bracket & Clamp		7	7	7	8	8	8	8	8	9	9	9	9	10	10	
Spring for Anti-Roost Wire		7	7	7	8	8	8	8	8	9	9	9	9	10	10	
1/16" Anti-Roost Wire		380	390	400	410	420	430	440	450	460	470	480	490	500	520	
FOR WINCHED FEED LEVEL ADJUSTMENT																
460072 600 lb. Winch Kit		2	2	2	2	2	3	3	3	3	3	3	3	3	3	
460071 Adjuster Drop Cable		144	148	152	156	160	164	168	172	176	180	184	188	192	200	
VC355 3/16" Galv. Cable Clamp		72	74	76	78	80	82	84	86	88	90	92	94	96	100	
VC343 1/8" Galv. 7x7 Cable		380	390	400	410	420	430	440	450	460	470	480	490	500	520	

2 PANS PER 10' TUBE - DOUBLE BOOT / CENTER FILL

ITEMS TO SELECT ↓	FEET → METERS →	FEED LINE LENGTH														
		160	170	180	190	200	210	220	230	240	250	260	270	280	290	300
End House Control Pan		2	2	2	2	2	2	2	2	2	2	2	2	2	2	
1/2 HP Motor & Gearbox or Motor		2	2	2	2	2	2	2	2	2	2	2	2	2	2	
Feed Hopper/Upper Hopper		1	1	1	1	1	1	1	1	1	1	1	1	1	1	
Double Outlet Boot		1	1	1	1	1	1	1	1	1	1	1	1	1	1	
Turkey Pan Feeder Station		32	34	36	38	40	42	44	46	48	50	52	54	56	60	
10' Tube - 2 Holes		16	17	18	19	20	21	22	23	24	25	26	27	28	30	
Tube Clamp		14	15	16	17	16	17	18	19	20	21	22	23	24	24	
Tube Hanger		20	21	23	24	25	26	28	29	30	31	33	34	35	38	
1.438" OD Auger (Feet)		160	170	180	190	200	210	220	230	240	250	260	270	280	300	
Insulator Bracket & Clamp		2	2	2	2	4	4	4	4	4	4	4	4	4	6	
Spring for Anti-Roost Wire		2	2	2	2	4	4	4	4	4	4	4	4	4	6	
1/16" Anti-Roost Wire		180	190	200	210	220	230	240	250	260	270	280	290	300	320	
FOR WINCHED FEED LEVEL ADJUSTMENT																
460072 600 lb. Winch Kit		2	2	2	2	2	2	2	2	2	2	2	2	2	2	
460071 Adjuster Drop Cable		64	68	72	76	80	84	88	92	96	100	104	108	112	120	
VC355 3/16" Galv. Cable Clamp		32	34	36	38	40	42	44	46	48	50	52	54	56	60	
VC343 1/8" Galv. 7x7 Cable		180	190	200	210	220	230	240	250	260	270	280	290	300	320	

ITEMS TO SELECT ↓	FEET → METERS →	FEED LINE LENGTH														
		310	320	330	340	350	360	370	380	390	400	410	420	430	440	450
End House Control Pan		2	2	2	2	2	2	2	2	2	2	2	2	2	2	
1/2 HP Motor & Gearbox or Motor		2	2	2	2	2	2	2	2	2	2	2	2	2	2	
Feed Hopper/Upper Hopper		1	1	1	1	1	1	1	1	1	1	1	1	1	1	
Double Outlet Boot		1	1	1	1	1	1	1	1	1	1	1	1	1	1	
Turkey Pan Feeder Station		62	64	66	68	70	72	74	76	78	80	82	84	86	90	
10' Tube - 2 Holes		31	32	33	34	35	36	37	38	39	40	41	42	43	45	
Tube Clamp		25	26	27	28	29	30	31	32	31	32	33	34	35	37	
Tube Hanger		39	40	41	43	44	45	46	48	49	50	51	53	54	56	
1.438" OD Auger (Feet)		310	320	330	340	350	360	370	380	390	400	410	420	430	450	
Insulator Bracket & Clamp		6	6	6	6	6	6	6	6	8	8	8	8	8	8	
Spring for Anti-Roost Wire		6	6	6	6	6	6	6	6	8	8	8	8	8	8	
1/16" Anti-Roost Wire		330	340	350	360	370	380	390	400	410	420	430	440	450	470	
FOR WINCHED FEED LEVEL ADJUSTMENT																
460072 600 lb. Winch Kit		2	2	2	2	2	2	2	2	2	2	4	4	4	4	
460071 Adjuster Drop Cable		124	128	132	136	140	144	148	152	156	160	164	168	172	180	
VC355 3/16" Galv. Cable Clamp		62	64	66	68	70	72	74	76	78	80	82	84	86	90	
VC343 1/8" Galv. 7x7 Cable		330	340	350	360	370	380	390	400	410	420	430	440	450	470	



2 PANS PER 10' TUBE - DOUBLE BOOT / CENTER FILL

ITEMS TO SELECT ↓	FEET → METERS →	FEED LINE LENGTH															
		460	470	480	490	500	510	520	530	540	550	560	570	580	590	600	
End House Control Pan		140	143	146	149	152	155	159	162	165	168	171	174	177	180	183	
1/2 HP Motor & Gearbox or Motor		2	2	2	2	2	2	2	2	2	2	2	2	2	2	2	
Feed Hopper/Upper Hopper		1	1	1	1	1	1	1	1	1	1	1	1	1	1	1	
Double Outlet Boot		1	1	1	1	1	1	1	1	1	1	1	1	1	1	1	
Turkey Pan Feeder Station		92	94	96	98	100	102	104	106	108	110	112	114	116	118	120	
10' Tube - 2 Holes		46	47	48	49	50	51	52	53	54	55	56	57	58	59	60	
Tube Clamp		38	39	40	39	40	41	42	43	44	45	46	47	46	47	48	
Tube Hanger		58	59	60	61	63	64	65	66	68	69	70	71	73	74	75	
1.438" OD Auger (Feet)		460	470	480	490	500	510	520	530	540	550	560	570	580	590	600	
Insulator Bracket & Clamp		8	8	8	10	10	10	10	10	10	10	10	10	12	12	12	
Spring for Anti-Roost Wire		8	8	8	10	10	10	10	10	10	10	10	10	12	12	12	
1/16" Anti-Roost Wire		480	490	500	510	520	530	540	550	560	570	580	590	600	610	620	
FOR WINCHED FEED LEVEL ADJUSTMENT																	
460072 600 lb. Winch Kit		4	4	4	4	4	4	4	4	4	4	4	4	4	4	4	
460071 Adjuster Drop Cable		184	188	192	196	200	204	208	212	216	220	224	228	232	236	240	
VC355 3/16" Galv. Cable Clamp		92	94	96	98	100	102	104	106	108	110	112	114	116	118	120	
VC343 1/8" Galv. 7x7 Cable		480	490	500	510	520	530	540	550	560	570	580	590	600	610	620	

3 PANS PER 10' TUBE - SINGLE BOOT / END FILL

ITEMS TO SELECT ↓	FEET → METERS →	FEED LINE LENGTH															
		60	70	80	90	100	110	120	130	140	150	160	170	180	190	200	
End House Control Pan		18	21	24	27	30	34	37	40	43	46	49	52	55	58	61	
1/2 HP Motor & Gearbox or Motor		1	1	1	1	1	1	1	1	1	1	1	1	1	1	1	
Feed Hopper/Upper Hopper		1	1	1	1	1	1	1	1	1	1	1	1	1	1	1	
Single Outlet Boot		1	1	1	1	1	1	1	1	1	1	1	1	1	1	1	
Turkey Pan Feeder Station		18	21	24	27	30	33	36	39	42	45	48	51	54	57	60	
10' Tube - 3 Holes		6	7	8	9	10	11	12	13	14	15	16	17	18	19	20	
Tube Clamp		5	6	7	8	8	9	10	11	12	12	13	14	15	16	16	
Tube Hanger		8	9	10	11	13	14	15	16	18	19	20	21	23	24	25	
1.438" OD Auger (Feet)		60	70	80	90	100	110	120	130	140	150	160	170	180	190	200	
Insulator Bracket & Clamp		1	1	1	1	2	2	2	2	2	3	3	3	3	3	4	
Spring for Anti-Roost Wire		1	1	1	1	2	2	2	2	2	3	3	3	3	3	4	
1/16" Anti-Roost Wire		80	90	100	110	120	130	140	150	160	170	180	190	200	210	220	
FOR WINCHED FEED LEVEL ADJUSTMENT																	
460072 600 lb. Winch Kit		1	1	1	1	1	1	1	1	1	1	1	1	1	1	1	
460071 Adjuster Drop Cable		36	42	48	54	60	66	72	78	84	90	96	102	108	114	120	
VC355 3/16" Galv. Cable Clamp		18	21	24	27	30	33	36	39	42	45	48	51	54	57	60	
VC343 1/8" Galv. 7x7 Cable		80	90	100	110	120	130	140	150	160	170	180	190	200	210	220	

ITEMS TO SELECT ↓	FEET → METERS →	FEED LINE LENGTH															
		210	220	230	240	250	260	270	280	290	300	310	320	330	340	350	
End House Control Pan		64	67.1	70.1	73.2	76.2	79.2	82.3	85.3	88.4	91.4	94.5	97.5	101	104	107	
1/2 HP Motor & Gearbox or Motor		1	1	1	1	1	1	1	1	1	1	1	1	1	1	1	
Feed Hopper/Upper Hopper		1	1	1	1	1	1	1	1	1	1	1	1	1	1	1	
Single Outlet Boot		1	1	1	1	1	1	1	1	1	1	1	1	1	1	1	
Turkey Pan Feeder Station		63	66	69	72	75	78	81	84	87	90	93	96	99	102	105	
10' Tube - 3 Holes		21	22	23	24	25	26	27	28	29	30	31	32	33	34	35	
Tube Clamp		17	18	19	20	20	21	22	23	23	24	25	26	27	27	28	
Tube Hanger		26	28	29	30	31	33	34	35	36	38	39	40	41	43	44	
1.438" OD Auger (Feet)		210	220	230	240	250	260	270	280	290	300	310	320	330	340	350	
Insulator Bracket & Clamp		4	4	4	4	5	5	5	5	6	6	6	6	6	7	7	
Spring for Anti-Roost Wire		4	4	4	4	5	5	5	5	6	6	6	6	6	7	7	
1/16" Anti-Roost Wire		230	240	250	260	270	280	290	300	310	320	330	340	350	360	370	
FOR WINCHED FEED LEVEL ADJUSTMENT																	
460072 600 lb. Winch Kit		2	2	2	2	2	2	2	2	2	2	2	2	2	2	2	
460071 Adjuster Drop Cable		126	132	138	144	150	156	162	168	174	180	186	192	198	204	210	
VC355 3/16" Galv. Cable Clamp		63	66	69	72	75	78	81	84	87	90	93	96	99	102	105	
VC343 1/8" Galv. 7x7 Cable		230	240	250	260	270	280	290	300	310	320	330	340	350	360	370	



3 PANS PER 10' TUBE - SINGLE BOOT / END FILL

ITEMS TO SELECT ↓	FEET → METERS →	FEED LINE LENGTH														
		360	370	380	390	400	410	420	430	440	450	460	470	480	490	500
End House Control Pan		1	1	1	1	1	1	1	1	1	1	1	1	1	1	
1/2 HP Motor & Gearbox or Motor		1	1	1	1	1	1	1	1	1	1	1	1	1	1	
Feed Hopper/Upper Hopper		1	1	1	1	1	1	1	1	1	1	1	1	1	1	
Single Outlet Boot		1	1	1	1	1	1	1	1	1	1	1	1	1	1	
Turkey Pan Feeder Station		108	111	114	117	120	123	126	129	132	135	138	141	144	147	150
10' Tube - 3 Holes		36	37	38	39	40	41	42	43	44	45	46	47	48	49	50
Tube Clamp		29	30	31	31	32	33	34	35	35	36	37	38	39	39	40
Tube Hanger		45	46	48	49	50	51	53	54	55	56	58	59	60	61	63
1.438" OD Auger (Feet)		360	370	380	390	400	410	420	430	440	450	460	470	480	490	500
Insulator Bracket & Clamp		7	7	7	8	8	8	8	8	9	9	9	9	9	10	10
Spring for Anti-Roost Wire		7	7	7	8	8	8	8	8	9	9	9	9	9	10	10
1/16" Anti-Roost Wire		380	390	400	410	420	430	440	450	460	470	480	490	500	510	520
FOR WINCHED FEED LEVEL ADJUSTMENT																
460072 600 lb. Winch Kit		2	2	2	2	2	3	3	3	3	3	3	3	3	3	3
460071 Adjuster Drop Cable		216	222	228	234	240	246	252	258	264	270	276	282	288	294	300
VC355 3/16" Galv. Cable Clamp		108	111	114	117	120	123	126	129	132	135	138	141	144	147	150
VC343 1/8" Galv. 7x7 Cable		380	390	400	410	420	430	440	450	460	470	480	490	500	510	520

3 PANS PER 10' TUBE - DOUBLE BOOT / CENTER FILL

ITEMS TO SELECT ↓	FEET → METERS →	FEED LINE LENGTH														
		160	170	180	190	200	210	220	230	240	250	260	270	280	290	300
End House Control Pan		2	2	2	2	2	2	2	2	2	2	2	2	2	2	
1/2 HP Motor & Gearbox or Motor		2	2	2	2	2	2	2	2	2	2	2	2	2	2	
Feed Hopper/Upper Hopper		1	1	1	1	1	1	1	1	1	1	1	1	1	1	
Double Outlet Boot		1	1	1	1	1	1	1	1	1	1	1	1	1	1	
Turkey Pan Feeder Station		48	51	54	57	60	63	66	69	72	75	78	81	84	87	90
10' Tube - 3 Holes		16	17	18	19	20	21	22	23	24	25	26	27	28	29	30
Tube Clamp		14	15	16	17	16	17	18	19	20	21	22	23	24	25	24
Tube Hanger		20	21	23	24	25	26	28	29	30	31	33	34	35	36	38
1.438" OD Auger (Feet)		160	170	180	190	200	210	220	230	240	250	260	270	280	290	300
Insulator Bracket & Clamp		2	2	2	2	4	4	4	4	4	4	4	4	4	4	6
Spring for Anti-Roost Wire		2	2	2	2	4	4	4	4	4	4	4	4	4	4	6
1/16" Anti-Roost Wire		180	190	200	210	220	230	240	250	260	270	280	290	300	310	320
FOR WINCHED FEED LEVEL ADJUSTMENT																
460072 600 lb. Winch Kit		2	2	2	2	2	2	2	2	2	2	2	2	2	2	2
460071 Adjuster Drop Cable		96	102	108	114	120	126	132	138	144	150	156	162	168	174	180
VC355 3/16" Galv. Cable Clamp		48	51	54	57	60	63	66	69	72	75	78	81	84	87	90
VC343 1/8" Galv. 7x7 Cable		180	190	200	210	220	230	240	250	260	270	280	290	300	310	320

ITEMS TO SELECT ↓	FEET → METERS →	FEED LINE LENGTH														
		310	320	330	340	350	360	370	380	390	400	410	420	430	440	450
End House Control Pan		2	2	2	2	2	2	2	2	2	2	2	2	2	2	2
1/2 HP Motor & Gearbox or Motor		2	2	2	2	2	2	2	2	2	2	2	2	2	2	2
Feed Hopper/Upper Hopper		1	1	1	1	1	1	1	1	1	1	1	1	1	1	1
Double Outlet Boot		1	1	1	1	1	1	1	1	1	1	1	1	1	1	1
Turkey Pan Feeder Station		93	96	99	102	105	108	111	114	117	120	123	126	129	132	135
10' Tube - 3 Holes		31	32	33	34	35	36	37	38	39	40	41	42	43	44	45
Tube Clamp		25	26	27	28	29	30	31	32	31	32	33	34	35	36	37
Tube Hanger		39	40	41	43	44	45	46	48	49	50	51	53	54	55	56
1.438" OD Auger (Feet)		310	320	330	340	350	360	370	380	390	400	410	420	430	440	450
Insulator Bracket & Clamp		6	6	6	6	6	6	6	6	8	8	8	8	8	8	8
Spring for Anti-Roost Wire		6	6	6	6	6	6	6	6	8	8	8	8	8	8	8
1/16" Anti-Roost Wire		330	340	350	360	370	380	390	400	410	420	430	440	450	460	470
FOR WINCHED FEED LEVEL ADJUSTMENT																
460072 600 lb. Winch Kit		2	2	2	2	2	2	2	2	2	2	4	4	4	4	4
460071 Adjuster Drop Cable		186	192	198	204	210	216	222	228	234	240	246	252	258	264	270
VC355 3/16" Galv. Cable Clamp		93	96	99	102	105	108	111	114	117	120	123	126	129	132	135
VC343 1/8" Galv. 7x7 Cable		330	340	350	360	370	380	390	400	410	420	430	440	450	460	470



3 PANS PER 10' TUBE - DOUBLE BOOT / CENTER FILL

ITEMS TO SELECT ↓	FEED LINE LENGTH															
	FEET →	460	470	480	490	500	510	520	530	540	550	560	570	580	590	600
	METERS →	140	143	146	149	152	155	159	162	165	168	171	174	177	180	183
End House Control Pan	2	2	2	2	2	2	2	2	2	2	2	2	2	2	2	
1/2 HP Motor & Gearbox or Motor	2	2	2	2	2	2	2	2	2	2	2	2	2	2	2	
Feed Hopper/Upper Hopper	1	1	1	1	1	1	1	1	1	1	1	1	1	1	1	
Double Outlet Boot	1	1	1	1	1	1	1	1	1	1	1	1	1	1	1	
Turkey Pan Feeder Station	138	141	144	147	150	153	156	159	162	165	168	171	174	177	180	
10' Tube - 3 Holes	46	47	48	49	50	51	52	53	54	55	56	57	58	59	60	
Tube Clamp	38	39	40	39	40	41	42	43	44	45	46	47	46	47	48	
Tube Hanger	58	59	60	61	63	64	65	66	68	69	70	71	73	74	75	
1.438" OD Auger (Feet)	460	470	480	490	500	510	520	530	540	550	560	570	580	590	600	
Insulator Bracket & Clamp	8	8	8	10	10	10	10	10	10	10	10	10	12	12	12	
Spring for Anti-Roost Wire	8	8	8	10	10	10	10	10	10	10	10	10	12	12	12	
1/16" Anti-Roost Wire	480	490	500	510	520	530	540	550	560	570	580	590	600	610	620	
FOR WINCHED FEED LEVEL ADJUSTMENT																
460072 600 lb. Winch Kit	4	4	4	4	4	4	4	4	4	4	4	4	4	4	4	
460071 Adjuster Drop Cable	276	282	288	294	300	306	312	318	324	330	336	342	348	354	360	
VC355 3/16" Galv. Cable Clamp	138	141	144	147	150	153	156	159	162	165	168	171	174	177	180	
VC343 1/8" Galv. 7x7 Cable	480	490	500	510	520	530	540	550	560	570	580	590	600	610	620	