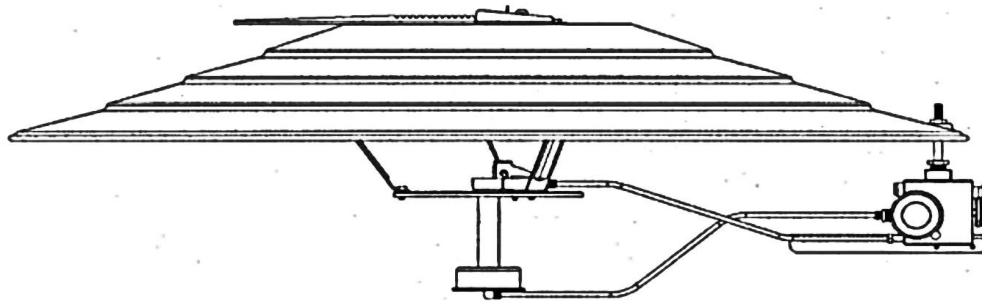


SECTION 39
HEAT-RITE™
BROODERS



IN THIS CATALOG SECTION

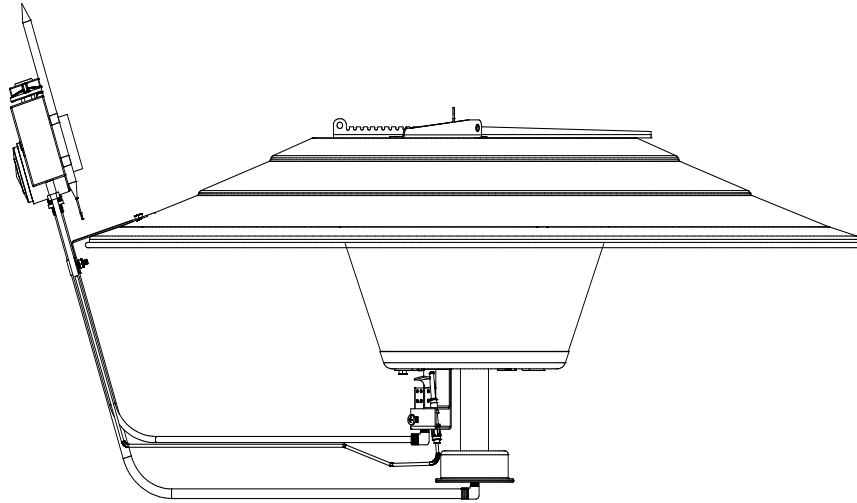
PAGE NUMBER	CONTENTS
39-02	Brooder Styles
39-03	Glow Radiant (VGR) Brooders With S.I.T. Snap Action Control With R.S. Zone Control With Direct Spark Control Zone Control Panels
39-04	Aurora IR™ Low Profile Brooders With S.I.T. Snap Action Control With R.S. Zone Control With Direct Spark Control With Direct Spark Control High Pressure Zone Control Panels

REPAIRS

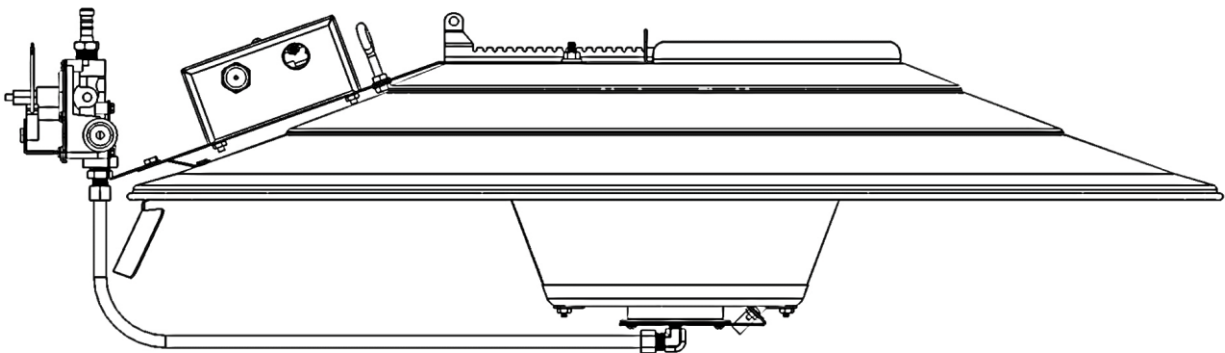
SEE REPAIR LISTING & REFERENCE MATERIAL IN SEPARATE CATALOG

SECTION 39

HEAT-RITE™ BROODERS



VGR GLOW RADIANT BROODER
(SHOWN WITH 3' CANOPY)



Aurora™ Low Profile Radiant Brooder

HEAT-RITE™ GLOW RADIANT BROODERS

HOW TO ORDER

HEAT-RITE™ Venturi Jet Brooders must be ordered by individual components.

For each complete brooder, select and order one each **CONTROL ASSEMBLY** and one each **CANOPY**.

To order control assemblies for use with natural gas fuel, use the catalog number in italics to the right of the description

Use of control panel is required with RS 7000ELC Zone and Direct Spark Ignition Controls.

One 470650 Zone Control Panel can accommodate up to 25 Direct Spark Ignition brooders or 30 RS 7000 ELC Zone Brooders

SIT SNAP ACTION

CONTROL ASSEMBLY

CATALOG NUMBER	ITEM DESCRIPTION	NATURAL GAS CATALOG NO.	SHIPPING WEIGHT		LIST PRICE
			LBS.	KG.	
470459	VGR SS LP 40K 3 DOM TV	<i>470460</i>	13.8	6.2	
470459-52	VGR SS LP 40K 3 DOM TV - INTL <i>For use at altitudes > 3300 ft (1000m)</i>	<i>n/a</i>	19.0	8.6	

RS 7000 ELC ZONE

CONTROL ASSEMBLY

CATALOG NUMBER	ITEM DESCRIPTION	NATURAL GAS	SHIPPING WEIGHT		LIST PRICE
			LBS.	KG.	
470467	VGR RZ LP DOM TV	<i>470468</i>	14.0	6.4	

DIRECT SPARK IGNITION

CONTROL ASSEMBLY

CATALOG NUMBER	ITEM DESCRIPTION	NATURAL GAS	SHIPPING WEIGHT		LIST PRICE
			LBS.	KG.	
470473	VGR WD LP 40K 3 DOM NO	<i>470474</i>	19.0	8.6	

Brooders - Butane

CATALOG NUMBER	ITEM DESCRIPTION	SHIPPING WEIGHT		LIST PRICE
		LBS.	KG.	
470560	VGR Butane 40K 11" W.C. 24VAC	19.0	8.6	
470561	VGR Butane 40K Non-Electric	19.0	8.6	

CANOPY

CATALOG NUMBER	ITEM DESCRIPTION	SHIPPING WEIGHT		LIST PRICE
		LBS.	KG.	
470001	3' Galvanized Canopy	9.0	4.1	
470778	3' Aluminum Canopy	3.0	1.3	

ZONE CONTROL PANELS

FOR RS 7000ELC ZONE & DIRECT SPARK IGNITION CONTROLS

CATALOG NUMBER	ITEM DESCRIPTION	SHIPPING WEIGHT		LIST PRICE
		LBS.	KG.	
470650	Zone Control Panel (115VAC Input) - Includes 24 Volt Transformer - Generator Back-Up Required - Requires dry-contact signal from thermostat or controller to activate brooders	19.4	8.8	
470781	Zone Control Panel (230VAC Input) - Includes 24 Volt Transformer - Generator Back-Up Required - Requires dry-contact signal from thermostat or controller to activate brooders	10.2	4.6	

HEAT-RITE AURORA IR™ LOW PROFILE RADIANT BROODERS

HOW TO ORDER

Order the part number to receive the brooder completely assembled including canopy.

Part numbers with "KD" are unassembled and packaged two per carton.

Use of control panel is required with RS 7000ELC Zone and Direct Spark Ignition Controls.

One 470650 Zone Control Panel can accommodate up to 25 Direct Spark Ignition brooders or 30 RS 7000 ELC Zone Brooders

SIT SNAP ACTION Aurora Low Profile

CATALOG NUMBER	ITEM DESCRIPTION	NATURAL GAS	SHIPPING WEIGHT		LIST PRICE
			LBS.	KG.	
470824	Low Profile, 40K, Alum. Canopy , SIT, LP	470823	14.2	6.4	
470824-KD-Q2	470824 Unassembled, 2 per carton*	Not Available	29.3	13.2	
470850	Low Profile, 40K, Galv. Canopy , SIT, LP	470849	21.7	9.8	
470873-KD-Q2	Low Profile, 40K, Alum. Canopy , SIT, LP High Altitude LP/Butane model for use at >3,300 ft (1,000m)	Not Available	29.3	13.2	

RS 7000 ELC ZONE Aurora Low Profile

CATALOG NUMBER	ITEM DESCRIPTION	NATURAL GAS	SHIPPING WEIGHT		LIST PRICE
			LBS.	KG.	
470827	Low Profile, 40K, Alum Canopy , Zone, LP	470826	14.2	6.4	
470827-KD-Q2	470827 Unassembled, 2 per carton*	Not Available	29.3	13.2	
470852	Low Profile, 40K, Galv Canopy , Zone, LP	470851	21.7	9.8	

DIRECT SPARK IGNITION Aurora Low Profile

CATALOG NUMBER	ITEM DESCRIPTION	NATURAL GAS	SHIPPING WEIGHT		LIST PRICE
			LBS.	KG.	
470829	Low Profile, 40K, Alum Canopy , DSI, LP	470828	22.5	7.1	
470829-KD-Q2	470829 Unassembled, 2 per carton*	Not Available	32.6	14.5	
470854	Low Profile, 40K, Galv Canopy , DSI, LP	470853	23.2	10.5	
470875-KD-Q2	Low Profile, 40K, Alum. Canopy , DSI, LP High Altitude LP/Butane model for use at >3,300 ft (1,000m)	Not Available	32.5	13.2	

***KD Brooders are packed two per carton.** Ordering a "quantity of one" of each "KD" part number will result in two brooders shipped in a carton. Cartons will not be broken! All orders will need to be for multiples of two brooders.

DIRECT SPARK IGNITION Aurora Low Profile HIGH PRESSURE

CATALOG NUMBER	ITEM DESCRIPTION	NATURAL GAS	SHIPPING WEIGHT		LIST PRICE
			LBS.	KG.	
470822	Low Profile, 40K, Alum Canopy , DSI, 5 psi, LP	470821	15.4	7.1	
470848	Low Profile, 40K, Galv Canopy , DSI, 5 psi, LP	470847	22.8	7.1	

ZONE CONTROL PANELS

FOR RS 7000ELC ZONE & DIRECT SPARK IGNITION CONTROLS

CATALOG NUMBER	ITEM DESCRIPTION	SHIPPING WEIGHT		LIST PRICE
		LBS.	KG.	
470650	Zone Control Panel (115VAC Input) - Includes 24 Volt Transformer - Generator Back-Up Required - Requires dry-contact signal from thermostat or controller to activate brooders	19.4	10.0	
470781	Zone Control Panel (230VAC Input) - Includes 24 Volt Transformer - Generator Back-Up Required - Requires dry-contact signal from thermostat or controller to activate brooders	10.2	4.6	