



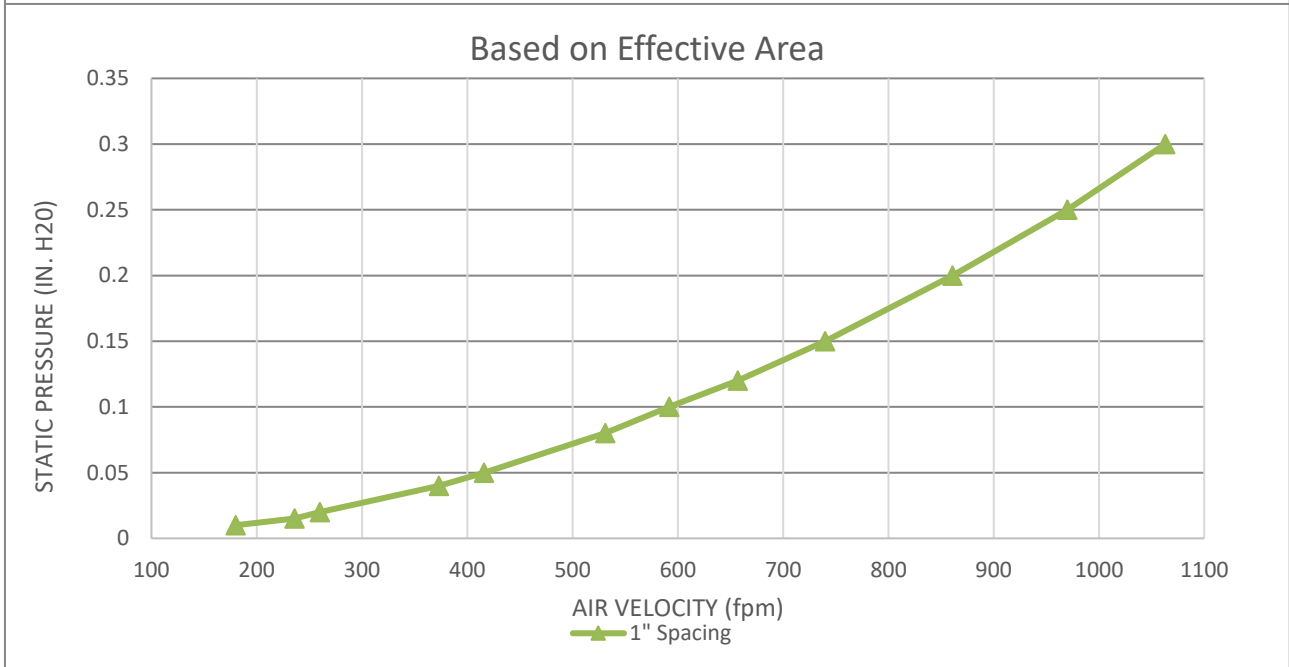
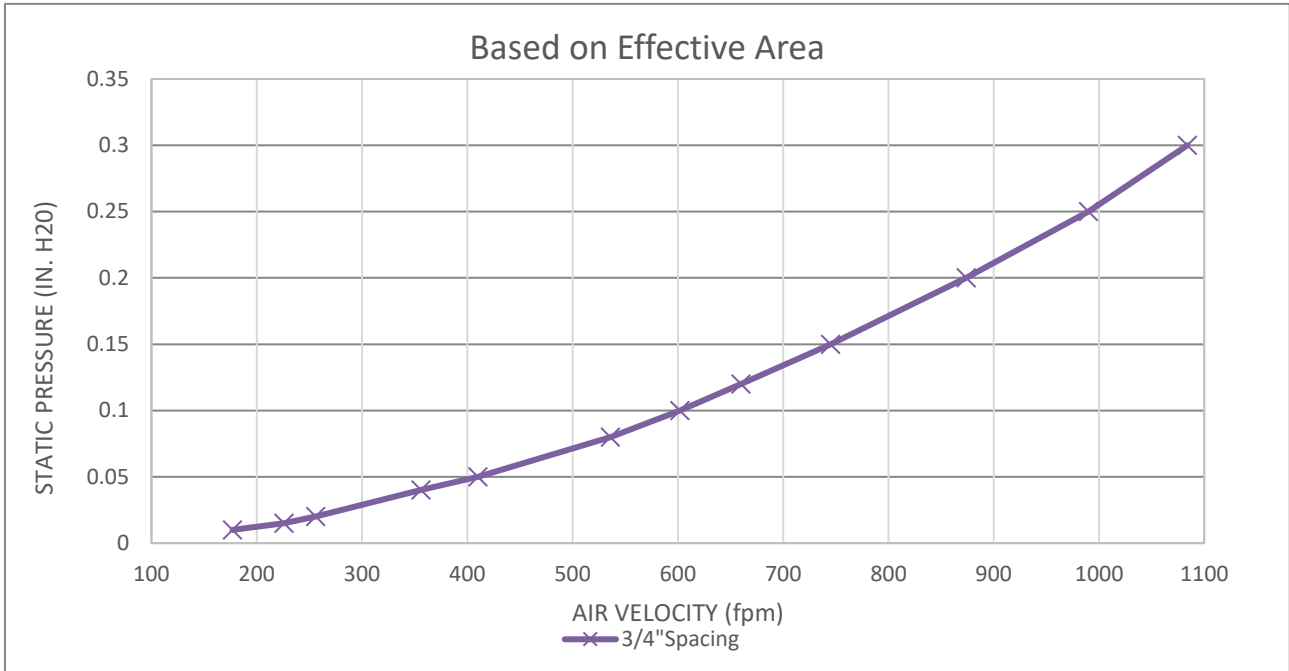
---

## SECTION 31 LIGHT TRAP

### IN THIS CATALOG SECTION

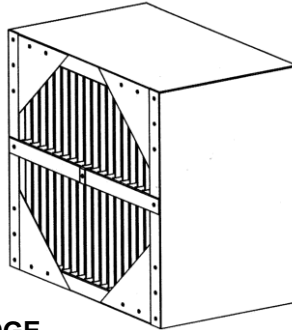
PAGE NUMBER	CONTENTS
31-02	Nightair S-Trap 3/4" & 1" Air Flow Data
31-03	Nightair S-Trap 3/4" & 1" - Framed Cartridge Pricing (18", 24" & 36" Width)
31-04	Nightair S-Trap 3/4" & 1" - Framed Cartridge Pricing (48", 52" & 54" Width)
31-05	Nightair S-Trap 3/4" & 1" - Framed Cartridge Pricing (60", 72", & 84" Width)
31-06	Nightair S-Trap 3/4" - Rod Cartridge Pricing
31-07	Nightair S-Trap 1" - Rod Cartridge Pricing
31-08	Components for Nightair S-Trap
31-09	9" Deep Mounting Bracket Kits

# NIGHTAIR S-TRAP Airflow Data



LIGHT REDUCTION FACTOR		
Outside/Inside		
3/4" Spacing	7,000,000:1	BESS # 04074
1" Spacing	3,100,000:1	BESS # 04073

## NIGHTAIR S-TRAP - 3/4" & 1" FRAMED CARTRIDGE



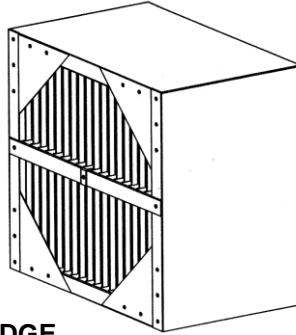
### NIGHTAIR S-TRAP - FRAMED CARTRIDGE

ALL DIMENSIONS ARE +/- 1/8" ALL DIMENSIONS ARE +/- 1/8"

WIDTH IN	HEIGHT IN	AREA FT <sup>2</sup>	SHIP WEIGHT		ASSEMBLED FRAMED				UNASSEMBLED FRAMED							
					3/4" SPACING		1" SPACING		3/4" SPACING		1" SPACING					
					Lbs.	Kgs	PART NO.	LIST PRICE	PART NO.	LIST PRICE	PART NO.	LIST PRICE	PART NO.	LIST PRICE		
18	18	2.25	8.4	3.8	NAK18A18F			NAK18B18F			NAK18A18FU			NAK18B18FU		
18	24	3.00	8.4	3.8	NAK18A24F			NAK18B24F			NAK18A24FU			NAK18B24FU		
18	36	4.50	32.3	14.7	NAK18A36F			NAK18B36F			NAK18A36FU			NAK18B36FU		
18	48	6.00	41.0	18.6	NAK18A48F			NAK18B48F			NAK18A48FU			NAK18B48FU		
18	52	6.50	43.2	19.6	NAK18A52F			NAK18B52F			NAK18A52FU			NAK18B52FU		
18	54	6.75	43.6	19.8	NAK18A54F			NAK18B54F			NAK18A54FU			NAK18B54FU		
18	60	7.50	52.2	23.7	NAK18A60F			NAK18B60F			NAK18A60FU			NAK18B60FU		
18	72	9.00	62.9	28.5	NAK18A72F			NAK18B72F			NAK18A72FU			NAK18B72FU		
18	84	10.50	71.3	32.3	NAK18A84F			NAK18B84F			NAK18A84FU			NAK18B84FU		
24	18	3.00	9.3	4.2	NAK24A18F			NAK24B18F			NAK24A18FU			NAK24B18FU		
24	24	4.00	29.1	13.2	NAK24A24F			NAK24B24F			NAK24A24FU			NAK24B24FU		
24	36	6.00	40.6	18.4	NAK24A36F			NAK24B36F			NAK24A36FU			NAK24B36FU		
24	48	8.00	51.8	23.5	NAK24A48F			NAK24B48F			NAK24A48FU			NAK24B48FU		
24	52	8.67	54.0	24.5	NAK24A52F			NAK24B52F			NAK24A52FU			NAK24B52FU		
24	54	9.00	54.4	24.7	NAK24A54F			NAK24B54F			NAK24A54FU			NAK24B54FU		
24	60	10.00	65.7	29.8	NAK24A60F			NAK24B60F			NAK24A60FU			NAK24B60FU		
24	72	12.00	77.2	35.0	NAK24A72F			NAK24B72F			NAK24A72FU			NAK24B72FU		
24	84	14.00	89.0	40.4	NAK24A84F			NAK24B84F			NAK24A84FU			NAK24B84FU		
36	18	4.50	11.5	5.2	NAK36A18F			NAK36B18F			NAK36A18FU			NAK36B18FU		
36	24	6.00	40.4	18.3	NAK36A24F			NAK36B24F			NAK36A24FU			NAK36B24FU		
36	36	9.00	57.0	25.9	NAK36A36F			NAK36B36F			NAK36A36FU			NAK36B36FU		
36	48	12.00	75.8	34.4	NAK36A48F			NAK36B48F			NAK36A48FU			NAK36B48FU		
36	52	13.00	76.6	34.7	NAK36A52F			NAK36B52F			NAK36A52FU			NAK36B52FU		
36	54	13.50	77.1	35.0	NAK36A54F			NAK36B54F			NAK36A54FU			NAK36B54FU		
36	60	15.00	93.7	42.5	NAK36A60F			NAK36B60F			NAK36A60FU			NAK36B60FU		
36	72	18.00	109.9	49.8	NAK36A72F			NAK36B72F			NAK36A72FU			NAK36B72FU		
36	84	21.00	128.0	58.1	NAK36A84F			NAK36B84F			NAK36A84FU			NAK36B84FU		

SEE COMPONENTS ON PAGE 31-08

## NIGHTAIR S-TRAP - 3/4" & 1" FRAMED CARTRIDGE



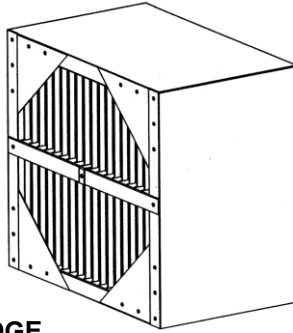
### NIGHTAIR S-TRAP - FRAMED CARTRIDGE

ALL DIMENSIONS ARE +/- 1/8" ALL DIMENSIONS ARE +/- 1/8"

WIDTH IN	HEIGHT IN	AREA FT <sup>2</sup>	SHIP WEIGHT		ASSEMBLED FRAMED				UNASSEMBLED FRAMED			
					3/4" SPACING		1" SPACING		3/4" SPACING		1" SPACING	
					Lbs.	Kgs	PART NO.	LIST PRICE	PART NO.	LIST PRICE	PART NO.	LIST PRICE
48	18	7.50	13.8	6.3	NAK48A18F		NAK48B18F		NAK48A18FU		NAK48B18FU	
48	24	10.00	43.2	19.6	NAK48A24F		NAK48B24F		NAK48A24FU		NAK48B24FU	
48	36	15.00	62.3	28.3	NAK48A36F		NAK48B36F		NAK48A36FU		NAK48B36FU	
48	48	20.00	78.6	35.7	NAK48A48F		NAK48B48F		NAK48A48FU		NAK48B48FU	
48	52	21.67	79.5	36.1	NAK48A52F		NAK48B52F		NAK48A52FU		NAK48B52FU	
48	54	22.50	79.9	36.2	NAK48A54F		NAK48B54F		NAK48A54FU		NAK48B54FU	
48	60	25.00	95.8	43.5	NAK48A60F		NAK48B60F		NAK48A60FU		NAK48B60FU	
48	72	30.00	112.3	50.9	NAK48A72F		NAK48B72F		NAK48A72FU		NAK48B72FU	
48	84	35.00	129.7	58.8	NAK48A84F		NAK48B84F		NAK48A84FU		NAK48B84FU	
52	18	9.00	16.8	7.6	NAK52A18F		NAK52B18F		NAK52A18FU		NAK52B18FU	
52	24	12.00	48.7	22.1	NAK52A24F		NAK52B24F		NAK52A24FU		NAK52B24FU	
52	36	18.00	69.6	31.6	NAK52A36F		NAK52B36F		NAK52A36FU		NAK52B36FU	
52	48	24.00	87.1	39.5	NAK52A48F		NAK52B48F		NAK52A48FU		NAK52B48FU	
52	52	26.00	88.0	39.9	NAK52A52F		NAK52B52F		NAK52A52FU		NAK52B52FU	
52	54	27.00	88.4	40.1	NAK52A54F		NAK52B54F		NAK52A54FU		NAK52B54FU	
52	60	30.00	107.5	48.8	NAK52A60F		NAK52B60F		NAK52A60FU		NAK52B60FU	
52	72	36.00	125.1	56.7	NAK52A72F		NAK52B72F		NAK52A72FU		NAK52B72FU	
52	84	10.50	145.6	66.0	NAK52A84F		NAK52B84F		NAK52A84FU		NAK52B84FU	
54	18	14.00	17.3	7.8	NAK54A18F		NAK54B18F		NAK54A18FU		NAK54B18FU	
54	24	21.00	50.4	22.9	NAK54A24F		NAK54B24F		NAK54A24FU		NAK54B24FU	
54	36	28.00	72.0	32.7	NAK54A36F		NAK54B36F		NAK54A36FU		NAK54B36FU	
54	48	30.33	90.1	40.9	NAK54A48F		NAK54B48F		NAK54A48FU		NAK54B48FU	
54	52	31.50	90.9	41.2	NAK54A52F		NAK54B52F		NAK54A52FU		NAK54B52FU	
54	54	35.00	91.3	41.4	NAK54A54F		NAK54B54F		NAK54A54FU		NAK54B54FU	
54	60	0.00	111.0	50.3	NAK54A60F		NAK54B60F		NAK54A60FU		NAK54B60FU	
54	72	0.00	129.3	58.6	NAK54A72F		NAK54B72F		NAK54A72FU		NAK54B72FU	
54	84	0.00	150.4	68.2	NAK54A84F		NAK54B84F		NAK54A84FU		NAK54B84FU	

SEE COMPONENTS ON PAGE 31-0

## NIGHTAIR S-TRAP - 3/4" & 1" FRAMED CARTRIDGE



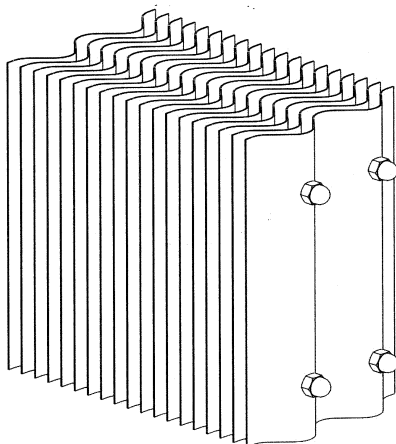
### NIGHTAIR S-TRAP - FRAMED CARTRIDGE

ALL DIMENSIONS ARE +/- 1/8" ALL DIMENSIONS ARE +/- 1/8"

WIDTH IN	HEIGHT IN	AREA FT <sup>2</sup>	SHIP WEIGHT		ASSEMBLED FRAMED				UNASSEMBLED FRAMED			
					3/4" SPACING		1" SPACING		3/4" SPACING		1" SPACING	
					Lbs.	Kgs	PART NO.	LIST PRICE	PART NO.	LIST PRICE	PART NO.	LIST PRICE
60	18	7.50	18.6	8.4	NAK60A18F		NAK60B18F		NAK60A18FU		NAK60B18FU	
60	24	10.00	55.3	25.1	NAK60A24F		NAK60B24F		NAK60A24FU		NAK60B24FU	
60	36	15.00	79.2	35.9	NAK60A36F		NAK60B36F		NAK60A36FU		NAK60B36FU	
60	48	20.00	99.1	45.0	NAK60A48F		NAK60B48F		NAK60A48FU		NAK60B48FU	
60	52	21.67	100.0	45.4	NAK60A52F		NAK60B52F		NAK60A52FU		NAK60B52FU	
60	54	22.50	100.4	45.5	NAK60A54F		NAK60B54F		NAK60A54FU		NAK60B54FU	
60	60	25.00	122.2	55.4	NAK60A60F		NAK60B60F		NAK60A60FU		NAK60B60FU	
60	72	30.00	142.3	64.5	NAK60A72F		NAK60B72F		NAK60A72FU		NAK60B72FU	
60	84	35.00	165.7	75.2	NAK60A84F		NAK60B84F		NAK60A84FU		NAK60B84FU	
72	18	9.00	20.2	9.2	NAK72A18F		NAK72B18F		NAK72A18FU		NAK72B18FU	
72	24	12.00	64.1	29.1	NAK72A24F		NAK72B24F		NAK72A24FU		NAK72B24FU	
72	36	18.00	92.3	41.9	NAK72A36F		NAK72B36F		NAK72A36FU		NAK72B36FU	
72	48	24.00	115.8	52.5	NAK72A48F		NAK72B48F		NAK72A48FU		NAK72B48FU	
72	52	26.00	116.6	52.9	NAK72A52F		NAK72B52F		NAK72A52FU		NAK72B52FU	
72	54	27.00	117.0	53.1	NAK72A54F		NAK72B54F		NAK72A54FU		NAK72B54FU	
72	60	30.00	142.9	64.8	NAK72A60F		NAK72B60F		NAK72A60FU		NAK72B60FU	
72	72	36.00	166.7	75.6	NAK72A72F		NAK72B72F		NAK72A72FU		NAK72B72FU	
84	18	10.50	24.2	11.0	NAK84A18F		NAK84B18F		NAK84A18FU		NAK84B18FU	
84	24	14.00	73.3	33.2	NAK84A24F		NAK84B24F		NAK84A24FU		NAK84B24FU	
84	36	21.00	106.2	48.2	NAK84A36F		NAK84B36F		NAK84A36FU		NAK84B36FU	
84	48	28.00	132.7	60.2	NAK84A48F		NAK84B48F		NAK84A48FU		NAK84B48FU	
84	52	30.33	133.4	60.5	NAK84A52F		NAK84B52F		NAK84A52FU		NAK84B52FU	
84	54	31.50	133.9	60.7	NAK84A54F		NAK84B54F		NAK84A54FU		NAK84B54FU	
84	60	35.00	163.5	74.2	NAK84A60F		NAK84B60F		NAK84A60FU		NAK84B60FU	

SEE COMPONENTS ON PAGE 31-08

## NIGHTAIR S-TRAP - 3/4" ROD CARTRIDGE

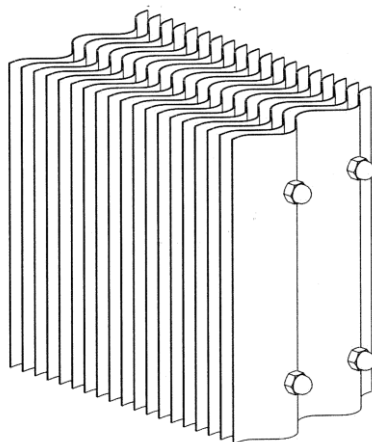


### NIGHTAIR S-TRAP - ROD CARTRIDGE

CARTRIDGE SIZE (INCHES)	Ship Weight		SQUARE FEET	UNASSEMBLED	
	Lbs.	Kgs		CATALOG NO.	LIST PRICE
72H X 18W X 3/4 - ROD	49.6	22.5	9	NAK18A72RU	
24H X 24W X 3/4 - ROD	18.7	8.5	4	NAK24A24RU	
36H X 24W X 3/4 - ROD			6	NAK24A36RU	
48H X 24W X 3/4 - ROD			8	NAK24A48RU	
60H X 24W X 3/4 - ROD			10	NAK24A60RU	
24H X 36W X 3/4 - ROD			6	NAK36A24RU	
36H X 36W X 3/4 - ROD	49.0	22.2	9	NAK36A36RU	
48H X 36W X 3/4 - ROD	68.5	31.1	12	NAK36A48RU	
60H X 36W X 3/4 - ROD	81.7	37.1	15	NAK36A60RU	
24H X 48W X 3/4 - ROD			8	NAK48A24RU	
36H X 48W X 3/4 - ROD			12	NAK48A36RU	
48H X 48W X 3/4 - ROD	98.0	44.5	16	NAK48A48RU	
60H X 48W X 3/4 - ROD	108.1	49.0	20	NAK48A60RU	
72H X 48W X 3/4 - ROD	131.0	59.4	24	NAK48A72RU	
52H X 52W X 3/4 - ROD			18.8	NAK52A52RU	
54H X 54W X 3/4 - ROD	112.2	50.9	20.3	NAK54A54RU	
60H X 56W X 3/4 - ROD			23.3	NAK56A60RU	
24H X 60W X 3/4 - ROD	60.9	27.6	10	NAK60A24RU	
36H X 60W X 3/4 - ROD	91.3	41.4	15	NAK60A36RU	
48H X 60W X 3/4 - ROD			20	NAK60A48RU	
60H X 60W X 3/4 - ROD	146.0	66.2	25	NAK60A60RU	
72H X 72W X 3/4 - ROD	189.7	86.0	36	NAK72A72RU	

SEE COMPONENTS ON PAGE 31-07

## NIGHTAIR S-TRAP - 1" ROD CARTRIDGE



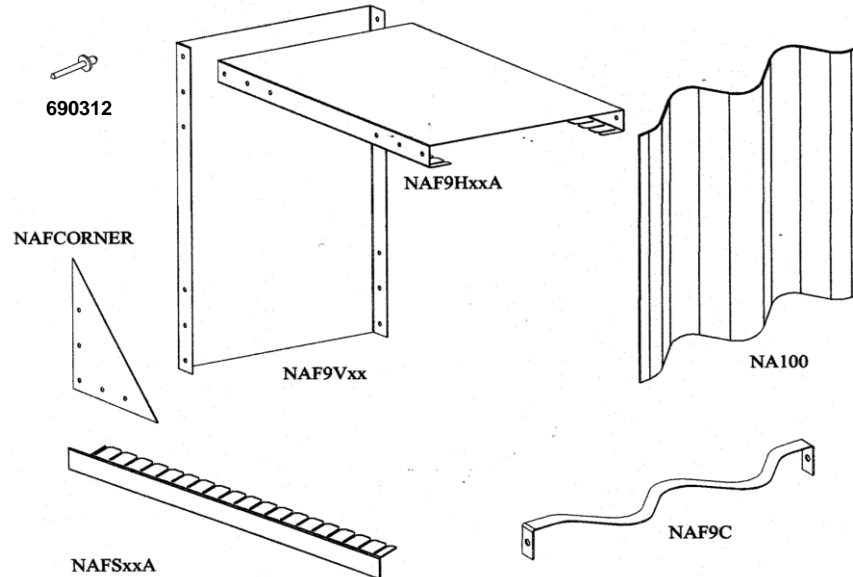
### NIGHTAIR S-TRAP - ROD CARTRIDGE

CARTRIDGE SIZE (INCHES)	Ship Weight		SQUARE FEET	UNASSEMBLED	
	Lbs.	Kgs		CATALOG NO.	LIST PRICE
72H X 18W X 1 - ROD			9	NAK18B72RU	
24H X 24W X 1 - ROD	15.3	6.9	4	NAK24B24RU	
36H X 24W X 1 - ROD			6	NAK24B36RU	
48H X 24W X 1 - ROD			8	NAK24B48RU	
60H X 24W X 1 - ROD			10	NAK24B60RU	
24H X 36W X 1 - ROD			6	NAK36B24RU	
36H X 36W X 1 - ROD	32.4	14.7	9	NAK36B36RU	
48H X 36W X 1 - ROD			12	NAK36B48RU	
60H X 36W X 1 - ROD	53.4	24.2	15	NAK36B60RU	
24H X 48W X 1 - ROD			8	NAK48B24RU	
36H X 48W X 1 - ROD			12	NAK48B36RU	
48H X 48W X 1 - ROD	59.5	27.0	16	NAK48B48RU	
60H X 48W X 1 - ROD	73.7	33.4	20	NAK48B60RU	
72H X 48W X 1 - ROD	86.4	39.2	24	NAK48B72RU	
52H X 52W X 1 - ROD			18.8	NAK52B52RU	
54H X 54W X 1 - ROD			20.3	NAK54B54RU	
60H X 56W X 1 - ROD			23.3	NAK56B60RU	
24H X 60W X 1 - ROD	37.6	17.0	10	NAK60B24RU	
36H X 60W X 1 - ROD			15	NAK60B36RU	
48H X 60W X 1 - ROD			20	NAK60B48RU	
60H X 60W X 1 - ROD	89.2	40.5	25	NAK60B60RU	
72H X 72W X 1 - ROD	128.7	58.4	36	NAK72B72RU	

SEE COMPONENTS ON PAGE 31-07

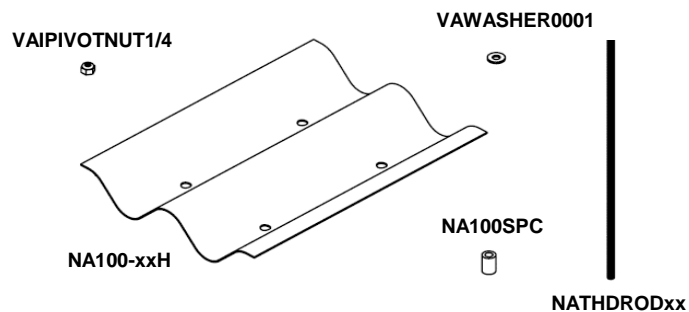
## NIGHTAIR S-TRAP

### 3/4" & 1" FRAMED COMPONENTS



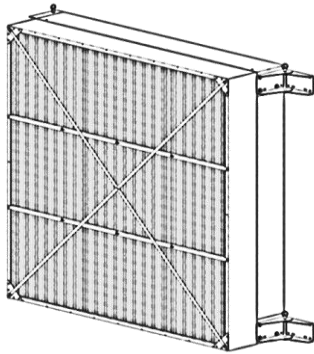
CATALOG NUMBER	ITEM DESCRIPTION	LIST PRICE
NA100-xxF	Black PVC Panel (xx = Nominal Length in inches)	
NAF9HxxA	Horizontal Frame 3/4" (2 req'd) (xx = width in inches)	
NAF9HxxB	Horizontal Frame 1" (2 req'd) (xx = width in inches)	
NAF9HxxC	Horizontal Frame 1 1/4" (2 req'd) (xx = width in inches)	
NAF9Vxx	Vertical Frame (2 req'd, xx = height in inches)	
NAFCORNER	Corner Brace (8 req'd)	
690312	3/16" x 1/8" Steel Pop Rivet	
NAFSxxA	Panel Spacer 3/4" (xx = width in inches)	
NAFSxxB	Panel Spacer 1" (xx = width in inches)	
NAF9C	Wavy Spacer	

### 3/4" & 1" ROD COMPONENTS

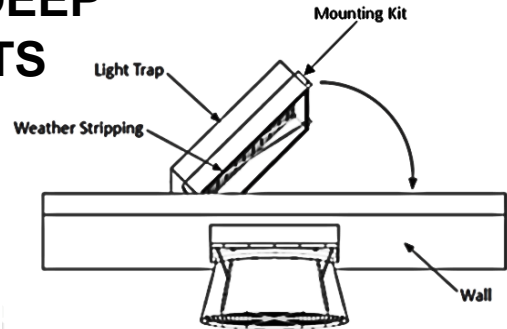


CATALOG NUMBER	ITEM DESCRIPTION	LIST PRICE
NA100-xxH	Black PVC Panel with holes for rods	
NA100SPC75	3/4" tall spacer	
NA100SPC1	1" tall spacer	
NATHDRODxx	1/4"-20 X xx" long threaded rod (xx = width in inches)	
VAIPIVOTNUT1/4	1/4"-20 Nylon lock nut, zinc plated	
VAWASHER0001	1/4" Washer, zinc plated	





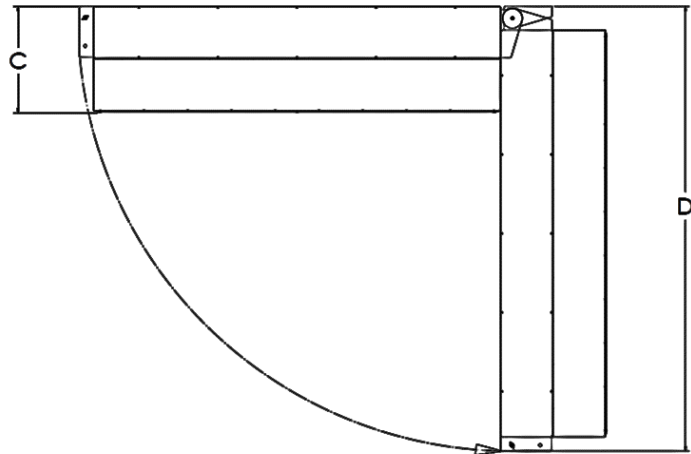
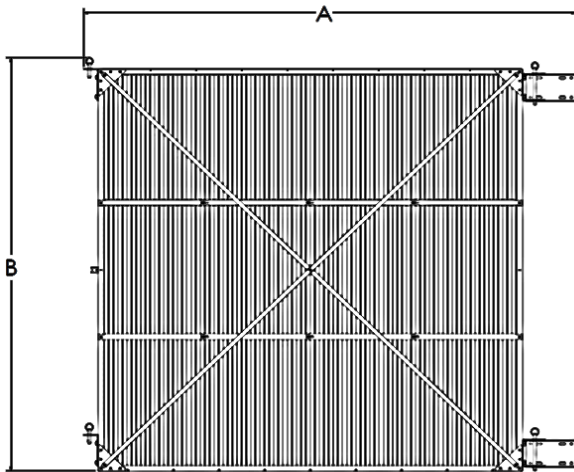
## LIGHT TRAP 9" DEEP MOUNTING KITS



### MOUNTING KITS - Ships Unassembled - ONLY USED WITH FRAMED LIGHT TRAPS

CATALOG NUMBER	ITEM DESCRIPTION	Typical used with Size Exhaust Fan	LIST PRICE
819020	9" Deep Mounting Kit for 48" x 48" Framed Light Trap	12" - 24"	
819010	9" Deep Mounting Kit for 60" x 60" Framed Light Trap	36" - 48"	
819000	9" Deep Mounting Kit for 72" x 72" Framed Light Trap	50" - 54"	

Light Traps in front of Exhaust Fans will increase the static pressure, see page 31-02 for air flow data or contact VAL-CO Application Engineering .



	A (Width Clearance)		B (Height Clearance)		C (Clearance in Closed Position)		D (Clearance in Open Position)	
	in	cm	in	cm	in	cm	in	cm
819000 72" X 72"	84	213.4	74.5	189.2	19	48.3	79	200.7
819010 60" X 60"	72	182.9	62.5	158.8	19	48.3	67	170.2
819020 48" X 48"	60	152.4	50.5	128.3	19	48.3	55	139.7

**This Page Was Intentionally Left Blank**