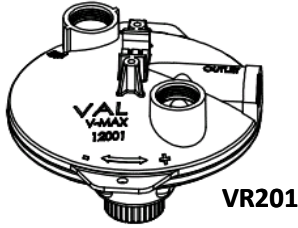

SECTION 25 START-GROW WATERING PRICING

IN THIS CATALOG SECTION

| PAGE NUMBER | CONTENTS |
|------------------|---|
| 25-02 | Regulators |
| 25-03 | Intakes / Hose / End Assemblies / Flush Kits |
| 25-04 | Standpipes |
| 25-05 | Header Kits / Lead In Kits / Air Releases |
| 25-06 | Filter Kits / Water Meters / Medicators / Cleaner & Solutions |
| 25-07 | Start Grow Pipe Kits |
| 25-08 | Winching |
| 24-09 thru 24-10 | Drinker Flow Charts |
| 25-11 | Drinkers / Standpipe replacement Parts |
| 25-12 | Pipe & Connectors / PVC Fittings |
| 25-13 | VR201 Regulator |
| 25-14 | VR204 Regulator |
| 25-15 | VR205 Regulator / VR209 Regulator |
| 24-16thru 24-17 | Regulator Repair Parts Pricing |
| 25-18 | Filter Kit Repair Parts |



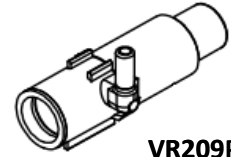
VR201

REGULATORS

V-MAX Regulator Ordering Instructions

1. Order the regulator.
2. Order desired bracket
3. Order the desired intake.
4. Order the desired standpipe.
5. Order the intake hose.

(3/4" for flush intake, 3/8" for old style intake.)



VR209P

V-MAX VR201 FLOOR REGULATOR KIT (requires 1 standpipe)

| CATALOG # | ITEM DESCRIPTION | SHIP WEIGHT | | LIST PRICE |
|-----------|--------------------|-------------|-------|------------|
| | | LBS. | KG. | |
| VR201K | Cage Regulator Kit | 1.85 | ##### | |

V-MAX VR201 FLOOR REGULATOR KIT

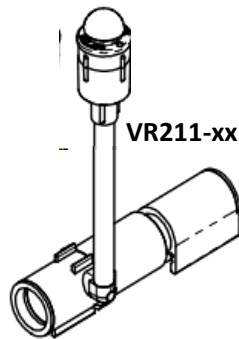
| | | | | |
|--------|--------------------------------|------|-------|--|
| VRP29 | Cage Regulator Support Bracket | 0.39 | ##### | |
| 610067 | Cage Regulator Support Bracket | 1.25 | ##### | |

V-MAX VR204 SLOPE REGULATOR (req. 2 standpipe - 1 must be 'K' designation)

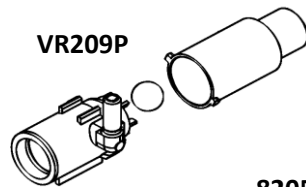
| CATALOG # | ITEM DESCRIPTION | SHIP WEIGHT | | LIST PRICE |
|-----------|-------------------------------------|-------------|------|------------|
| | | LBS. | KG. | |
| VR204KA | Cage Slope Regulator Kit - Aluminum | 1.90 | 0.00 | |
| VR204KC | Cage Slope Regulator Kit - Conduit | 1.90 | 0.00 | |

VR209 SLOPE REGULATOR

| CATALOG # | ITEM DESCRIPTION | SHIP WEIGHT | | LIST PRICE |
|-----------|--|-------------|-------|------------|
| | | LBS. | KG. | |
| VR211-18 | Slope Regulator Kit With 18" Standpipe & Coupler (Conduit) | 0.35 | ##### | |
| VR211-24 | Slope Regulator Kit With 24" Standpipe & Coupler (Conduit) | 0.36 | ##### | |
| VR211-30 | Slope Regulator Kit With 30" Standpipe & Coupler (Conduit) | 0.38 | ##### | |
| VR209P | Slope Regulator Only - Automatic Flush Thru | 0.18 | ##### | |
| VR209S | Air Release with "L" Stem | 0.11 | ##### | |
| 820513 | Air Release with Side Exit Stem | 0.10 | ##### | |
| 820515 | Slope Regulator Only - with Side Exit Stem | 0.17 | ##### | |
| 820516 | Slope Regulator Only - with Side Stem Plug | 0.17 | ##### | |
| VRP90 | Slope Regulator - Left Kit for VR209 | 0.11 | ##### | |

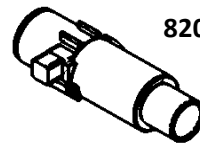
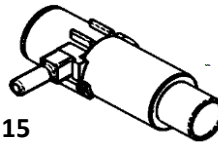


VR211-xx

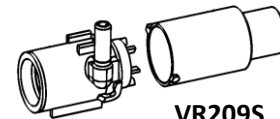


VR209P

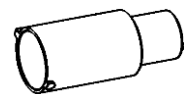
820515
820513 (no SS Ball)



820516



VR209S



VRP90

VR205 HIGH PRESSURE REGULATOR

| CATALOG # | ITEM DESCRIPTION | SHIP WEIGHT | | LIST PRICE |
|-----------|--|-------------|------|------------|
| | | LBS. | KG. | |
| VR205 | High Pressure Regulator Kit - No Gauges | 2.16 | 0.98 | |
| VR205-1 | High Pressure Regulator Kit - 1 Oil Filled Pressure Gauge | 2.65 | 1.20 | |
| VR205-2 | High Pressure Regulator Kit - 2 Oil Filled Pressure Gauges | 3.14 | 1.42 | |

Maximum Incoming Pressure: 100 PSI

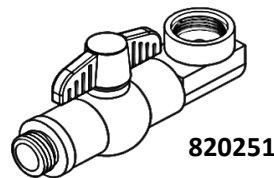
Pressure Range: 25 PSI Minimum

| | | |
|--|--|--|
| <p align="center">STANDARD</p> <p>Maximum Incoming Pressure 15-75 PSI</p> <p>Pressure Range 0-1 PSI or 0-28" Water Column</p> | <p>INTAKE KITS</p>  <p>RFV160 VRP30F VRP09</p> | <p align="center">LOW PRESSURE</p> <p>Maximum Incoming Pressure 3-15 PSI</p> <p>Pressure Range 0-1 PSI or 0-28" Water</p> |
|--|--|--|

| CATALOG # | ITEM DESCRIPTION | SHIP WEIGHT | | LIST PRICE |
|-----------|---|-------------|------|------------|
| | | LBS. | KG. | |
| RFV160K | Inlet Kit, Flushing, Shut Off (incl. (2) PMTT6, VRP66, VRP67S, (2) PMHC3-4) | 0.66 | 0.30 | |
| RFV160LK | Inlet Kit, Flushing, Shut off, Low pressure (incl. same parts as RFV160K) | 0.66 | 0.30 | |
| VRP09K | Inlet Kit, Shut off (incl. (2) VRP45 & (2) VRP375) | 0.16 | 0.07 | |
| VRP09LK | Inlet Kit, Shut off, low pressure (incl. (2) VRP45 & (2) VRP375) | 0.16 | 0.07 | |

| INDIVIDUAL INTAKE | | | | |
|--------------------------|---|------|------|--|
| RFV160 | Regulator Flushing Intake only | 0.41 | 0.18 | |
| RFV160L | Regulator Flushing Intake only - Low Pressure | 0.41 | 0.18 | |
| VRP09 | Shutoff Intake only | 0.13 | 0.06 | |
| VRP09L | Shutoff Intake only - Low Pressure | 0.09 | 0.04 | |
| VRP30F | Shutoff Intake with Flex Standpipe Connection | 0.12 | 0.05 | |

| HOSE | | | | |
|-------------|---|-------|-------|--|
| VRP79-Q300 | PVC Yellow Regulator drop HOSE, 3/8" ID (Unit of measure: 300 Foot Roll) For use with new style flush intake. (RFV160) | 66.20 | 30.03 | |
| VRP79 | PVC Yellow Regulator drop HOSE, 3/8" ID (Unit of measure: Per foot) For use with new style flush intake. (RFV160) | 0.22 | 0.10 | |
| VRP48-Q500 | PVC Yellow Regulator Drop Hose, 3/8" (Unit of measure: 500 Foot Roll) For use with old style intake. (VRP09) | 39.60 | 17.96 | |
| VRP48 | PVC Yellow Regulator Drop Hose, 3/8" (Unit of measure: per foot) For use with old style intake. (VRP09) | 0.08 | 0.04 | |

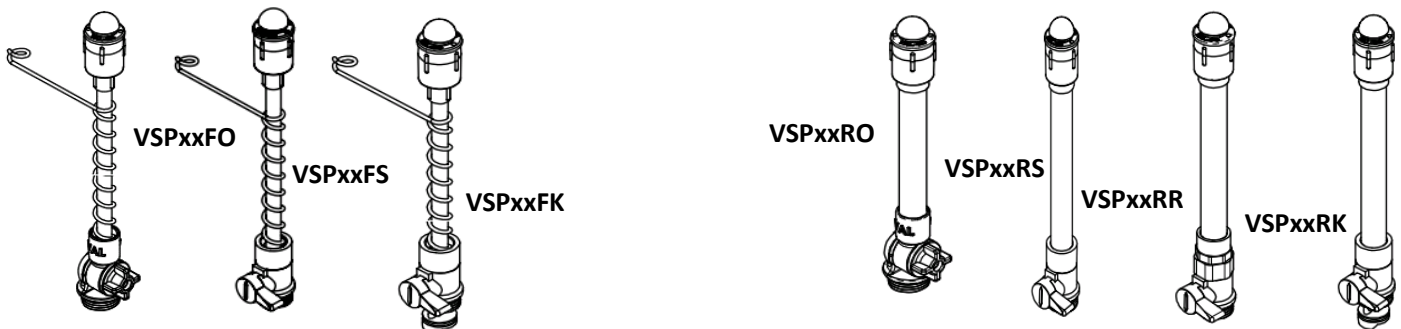


| END ASSEMBLIES (requires 1 standpipe) | | | | |
|--|---|-------------|------|------------|
| CATALOG # | ITEM DESCRIPTION | SHIP WEIGHT | | LIST PRICE |
| | | LBS. | KG. | |
| 820251 | End Assembly Kit, US standard thread, Garden Hose Adapter | 0.39 | 0.18 | |
| 820252 | End Assembly Kit, Metric thread, Garden Hose Adapter | 0.39 | 0.18 | |

| FLUSH KITS FOR CAGES | | | | |
|-----------------------------|---|-------|------|--|
| VF100B | With 12" Standpipe - Lower Tiers | 10.28 | 4.66 | |
| VF100T | With 12" Standpipe - Top Tier Only | 2.36 | 1.1 | |
| VF100TM | With 12" Standpipe - Top Tier Only (Metric) | 2.34 | 1.06 | |
| VF100-18B | With 18" Standpipe - Lower Tiers | 10.40 | 4.72 | |
| VF100-18T | With 18" Standpipe - Top Tier Only | 2.48 | 1.1 | |
| VF100-18TM | With 18" Standpipe - Top Tier Only (Metric) | 2.45 | 1.11 | |
| VF100-24B | With 24" Standpipe - Lower Tiers | 3.60 | 1.63 | |
| VF100-24T | With 24" Standpipe - Top Tier Only | 2.15 | 1.0 | |
| VF100-24TM | With 24" Standpipe - Top Tier Only (Metric) | 2.57 | 1.17 | |
| VF100SB | For Stacked Cages - With 24" Standpipe - Lower Tiers | 8.00 | 3.63 | |
| VF100SBM | For Stacked Cages - With 24" Standpipe - Lower Tiers (Metric) | 2.35 | 1.07 | |

FLEX STANDPIPE

| CATALOG # | ITEM DESCRIPTION | SHIP WEIGHT | | LIST PRICE |
|----------------------------|------------------------------|-------------|------|------------|
| | | LBS. | KG. | |
| Foldover Standpipes | | | | |
| VSP18FO | FLEX SP ASSY, 18", FOLD OVER | 0.36 | 0.16 | |
| VSP24FO | FLEX SP ASSY, 24", FOLD OVER | 0.45 | 0.20 | |
| VSP30FO | FLEX SP ASSY, 30", FOLD OVER | 0.47 | 0.21 | |
| Shutoff Standpipes | | | | |
| VSP18FS | FLEX SP ASSY, 18", SHUTOFF | 0.36 | 0.16 | |
| VSP24FS | FLEX SP ASSY, 24", SHUTOFF | 0.45 | 0.20 | |
| VSP30FS | FLEX SP ASSY, 30", SHUTOFF | 0.47 | 0.21 | |
| 1/2" NPT Standpipes | | | | |
| VSP18FK | FLEX SP ASSY, 18", INTAKE | 0.35 | 0.16 | |
| VSP24FK | FLEX SP ASSY, 24", INTAKE | 0.44 | 0.20 | |
| VSP30FK | FLEX SP ASSY, 30", INTAKE | 0.46 | 0.21 | |



RIGID STANDPIPE

| CATALOG # | ITEM DESCRIPTION | SHIP WEIGHT | | LIST PRICE |
|----------------------------|-------------------------------|-------------|------|------------|
| | | LBS. | KG. | |
| Foldover Standpipes | | | | |
| VSP12RO | RIGID SP ASSY, 12", FOLD OVER | 0.22 | 0.10 | |
| VSP18RO | RIGID SP ASSY, 18", FOLD OVER | 0.26 | 0.12 | |
| VSP24RO | RIGID SP ASSY, 24", FOLD OVER | 0.30 | 0.14 | |
| VSP30RO | RIGID SP ASSY, 30", FOLD OVER | 0.34 | 0.15 | |
| VSP36RO | RIGID SP ASSY, 36", FOLD OVER | 0.38 | 0.17 | |
| Shutoff Standpipes | | | | |
| VSP12RS | RIGID SP ASSY, 12", SHUTOFF | 0.20 | 0.09 | |
| VSP18RS | RIGID SP ASSY, 18", SHUTOFF | 0.24 | 0.11 | |
| VSP24RS | RIGID SP ASSY, 24", SHUTOFF | 0.28 | 0.13 | |
| VSP30RS | RIGID SP ASSY, 30", SHUTOFF | 0.32 | 0.14 | |
| VSP36RS | RIGID SP ASSY, 36", SHUTOFF | 0.36 | 0.16 | |
| 1/2" NPT Standpipes | | | | |
| VSP12RR | RIGID SP ASSY, 12", 1/2" NPT | 0.24 | 0.11 | |
| VSP18RR | RIGID SP ASSY, 18", 1/2" NPT | 0.29 | 0.13 | |
| VSP24RR | RIGID SP ASSY, 24", 1/2" NPT | 0.34 | 0.15 | |
| VSP30RR | RIGID SP ASSY, 30", 1/2" NPT | 0.39 | 0.18 | |
| VSP36RR | RIGID SP ASSY, 36", 1/2" NPT | 0.44 | 0.20 | |
| Intake Standpipes | | | | |
| VSP12RK | RIGID SP ASSY, 12", INTAKE | 0.21 | 0.10 | |
| VSP18RK | RIGID SP ASSY, 18", INTAKE | 0.25 | 0.11 | |
| VSP24RK | RIGID SP ASSY, 24", INTAKE | 0.29 | 0.13 | |
| VSP30RK | RIGID SP ASSY, 30", INTAKE | 0.33 | 0.15 | |
| VSP36RK | RIGID SP ASSY, 36", INTAKE | 0.37 | 0.17 | |

BRUSHES FOR STANDPIPES

| | | | | |
|--------|----------------------------------|------|------|--|
| VB151 | Bottle Brush for Rigid Standpipe | 0.11 | 0.05 | |
| VB151F | Bottle Brush for Flex Standpipe | 0.11 | 0.05 | |

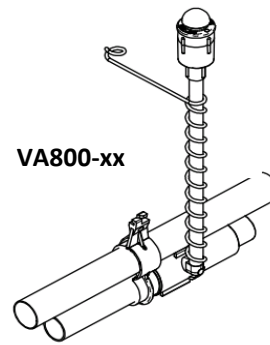
START-GROW WATERING OPTIONS

HEADER KITS

| CATALOG # | ITEM DESCRIPTION | SHIP WEIGHT | | LIST PRICE |
|-----------|--|-------------|------|------------|
| | | LBS. | KG. | |
| VH100B | Cage Header Kit - Lower Tiers | 1.88 | 0.85 | |
| VH100T | Cage Header Kit - Top Tier Only | 1.79 | 0.81 | |
| VH100SB | Cage Header Kit - for Stacked Cage Lower Tiers | 1.40 | 0.64 | |
| VH100ST | Cage Header Kit - for Stacked Cage Top Tier Only | 1.55 | 0.70 | |

LEAD-IN KITS

| CATALOG # | ITEM DESCRIPTION | SHIP WEIGHT | | LIST PRICE |
|-----------|--------------------------------------|-------------|------|------------|
| | | LBS. | KG. | |
| VL100 | Lead-In Kit From Filter to First Row | 8.46 | 3.84 | |
| VL200 | Lead-In Kit From One Row to Next Row | 4.03 | 1.83 | |



AIR RELEASES

| CATALOG # | ITEM DESCRIPTION | SHIP WEIGHT | | LIST PRICE |
|-----------|--|-------------|------|------------|
| | | LBS. | KG. | |
| VA800-24 | Air Release With Auto Shutoff & 24" Flex Standpipe - Conduit | 0.71 | 0.32 | |
| VA800-30 | Air Release With Auto Shutoff & 30" Flex Standpipe - Conduit | 0.74 | 0.33 | |
| VR209S | Left Body Only - for Air Release & Slope Regulator | 0.11 | 0.05 | |

START-GROW WATERING OPTIONS

FILTER KIT/BACKFLUSH

| CATALOG # | ITEM DESCRIPTION | SHIP WEIGHT | | LIST PRICE |
|-----------|---|-------------|------|------------|
| | | LBS. | KG. | |
| VF122 | Filter Kit/Backflush Hookup | 9.25 | 4.20 | |
| VF122L | Filter Kit/Backflush Hookup - Low Pressure | 9.03 | 4.10 | |
| VF122-H | Filter Kit - Without Hookup or Gauges(30 Micron Filter) | 6.95 | 3.15 | |
| VF122L-H | Filter Kit - W/O Hookup or Gauges - Low Pressure (50 Micron Filter) | 6.74 | 3.06 | |

WATER METERS *(kits includes [2] VT132 -3/4" PVC female adapter S X thread)*

| CATALOG # | ITEM DESCRIPTION | SHIP WEIGHT | | LIST PRICE |
|-----------|--|-------------|------|------------|
| | | LBS. | KG. | |
| 820370 | WATER METER KIT , GAL, LOCAL, 5/8"X3/4", Brass Body, Line Size 3/4" | 8.00 | 3.6 | |
| 820371 | WATER METER KIT , GAL, DIGITAL, 5/8"X3/4", Brass Body, Line Size 3/4" | 8.00 | 3.6 | |
| 820372 | WATER METER KIT , MET, LOCAL, 5/8"X3/4", Brass Body, Line Size 3/4" | 8.00 | 3.6 | |
| 820373 | WATER METER KIT , MET, DIGITAL, 5/8"X3/4", Brass Body, Line Size 3/4" | 8.00 | 3.6 | |
| 820374 | WATER METER KIT , GAL, LOCAL, 5/8" X 3/4", Plastic Body, Line Size 3/4" | 8.00 | 2.7 | |
| 820375 | WATER METER KIT , GAL, DIGITAL, 5/8" X 3/4", Plastic Body, Line Size 3/4" | 8.00 | 2.7 | |
| 820376 | WATER METER KIT , MET, LOCAL, 5/8" X 3/4", Plastic Body, Line Size 3/4" | 8.00 | 2.7 | |
| 820377 | WATER METER KIT , MET, DIGITAL, 5/8" X 3/4", Plastic Body, Line Size 3/4" | 8.00 | 2.7 | |
| 820284 | PVC Adapter, 1" X 3/4", slip x slip, schedule 40 | 0.10 | 0.05 | |
| VT100 | 3/4" PVC Tee S X S X S | 0.01 | 0.00 | |
| VT102 | 3/4" PVC 90 ELL S X S | 0.08 | 0.04 | |
| VT132 | 3/4" PVC Female Adapter S X Thread | 0.05 | 0.02 | |
| VV801 | 3/4" Ball Valve | 0.24 | 0.11 | |
| VX127 | 3/4" Union S X S | 0.16 | 0.07 | |

MEDICATOR

| CATALOG # | ITEM DESCRIPTION | SHIP WEIGHT | | LIST PRICE |
|-----------|--|-------------|-------|------------|
| | | LBS. | KG. | |
| VM501 | Dosatron Medicator Kit (D25RE2) - Dilution Range 1:500 to 1:50 (.2% to 2%) | 3.58 | 1.62 | |
| 820341 | Dosatron Medicator Kit (D25RE5) - Dilution Range 1:100 to 1:20 (1% to 5%) | 4.00 | 1.81 | |
| VM507 | Hook-Up Kit for Medicator | 1.75 | 0.79 | |
| VM504 | Repair Kit for VM500 Dosatron Medicator (D25RE2) | 44.00 | 19.96 | |
| VM508 | Repair Kit for VM500 Dosatron Medicator (DI16) | 0.12 | 0.06 | |

Medicators can be used in high or low pressure systems from 4.3-85 PSI (.3-5.86 Bar).

CLEANERS / SOLUTIONS

| CATALOG # | ITEM DESCRIPTION | SHIP WEIGHT | | LIST PRICE |
|-----------|---|-------------|-------|------------|
| | | LBS. | KG. | |
| VC200 | Pro Clean (1 Gal) | 4.75 | 2.15 | |
| PM10TS | 10TS Water Treatment System | 25.00 | 11.34 | |
| PMCPABU1 | Water Treatment Solution - 5 Gallon (PARAFOS) | 50.00 | 22.68 | |

START-GROW PIPE KITS

(Not Including Cord or PVC Edging - See Below)

ALL DRINKERS

| CATALOG NUMBER | DRINKER SPACING | PIPE LENGTH | NO. OF DRINKERS | LIST PRICE |
|----------------|-----------------|-------------|-----------------|------------|
| BG199 | 24" | 8 FT | 8 | |
| BG200 | 24" | 10 FT | 10 | |
| BG201 | 30" | 10 FT | 8 | |
| BG202 | 32" | 8 FT | 6 | |
| BG203 | 40" | 10 FT | 6 | |
| BG204 | 48" | 8 FT | 4 | |
| BG205 | 60" | 10 FT | 4 | |

| CATALOG NUMBER* | *EXT. LIST PRICE |
|-----------------|------------------|
| BG199E | |
| BG200E | |
| BG201E | |
| BG202E | |
| BG203E | |
| BG204E | |
| BG205E | |

* This price includes one extended start-grow per kit.

To order, add "E" to the catalog number to identify.

CUPS & DRINKERS (ALTERNATING EACH PARTITION; CUPS & NIPPLE DRINKERS)

| CATALOG NUMBER | DRINKER SPACING | PIPE LENGTH | NO. OF DRINKERS | LIST PRICE |
|----------------|-----------------|-------------|-----------------|------------|
| BG209 | 24" | 8 FT | 8 | |
| BG210 | 24" | 10 FT | 10 | |
| BG211 | 30" | 10 FT | 8 | |
| BG212 | 32" | 8 FT | 6 | |
| BG213 | 40" | 10 FT | 6 | |
| BG214 | 48" | 8 FT | 4 | |
| BG215 | 60" | 10 FT | 4 | |

LIST PRICE INCLUDES:

- Plastic Pipe in 8'/10' Lengths
- Stabilizer Coupler (VC145)
- Barbed Saddle (VS147)
- Cage Clips (VC147)
- Val Drinkers (VBL150)
- Tubing (BG222)
- Start-Grow Assembly (BG220)

AND/OR:

- Extended Start-Grow Assembly (BG219)

ALL CUP DRINKERS

| CATALOG NUMBER | DRINKER SPACING | PIPE LENGTH | NO. OF DRINKERS | LIST PRICE |
|----------------|---------------------------------|-------------|-----------------|------------|
| BG199AC | 24" | 8 FT | 8 | |
| BG200AC | 24" | 10 FT | 10 | |
| BG201AC | 30" | 10 FT | 8 | |
| BG202AC | 32" | 8 FT | 6 | |
| BG203AC | 40" | 10 FT | 6 | |
| BG204AC | 48" | 8 FT | 4 | |
| BG205AC | 60" | 10 FT | 4 | |
| BG777 | Cup Cover (for start-grow unit) | | | |

ALSO NEEDED

DIVIDE NUMBER OF DRINKERS BY TWO TO CALCULATE NUMBER OF STARTGROW ASSEMBLIES PER KIT

| ONE 20" PER STARTGROW ASSY OR PARTITION FOR SINGLE PULL OR ONE 40" PER TWO ASSYS FOR DOUBLE PULL | | | TWO PER STARTGROW ASSEMBLY OR PARTITION | | |
|--|------------------|------------|---|-------------------|------------|
| CATALOG NUMBER | ITEM DESCRIPTION | LIST PRICE | CATALOG NUMBER | ITEM DESCRIPTION | LIST PRICE |
| BG221 | 20" DROP CORD | | VN100 | 10.75" PVC EDGING | |
| BG223 | 20" CORD W/ HOOK | | VN101 | 11.75" PVC EDGING | |
| BG225 | 40" DROP CORD | | VN102 | 12.75" PVC EDGING | |
| BG227 | 40" CORD W/ HOOK | | | | |

CUSTOM & NON-STOCKED PIPE KITS

Custom pipe kits are available - call for availability. Note that orders for custom pipe kits (and some non-stocked kits shown above) may not be cancelled after production commences. No returns are permitted on custom or non-stocked pipe kits.

PULLET CAGE WINCHING SYSTEM

WINCHING SYSTEM

| CATALOG # | ITEM DESCRIPTION | SHIP WEIGHT | | LIST PRICE |
|-----------|---|-------------|------|------------|
| | | LBS. | KG. | |
| VW024 | Winching System for 24" Cage Spacing - Per Cage | 0.11 | 0.05 | |
| VW030 | Winching System for 30" Cage Spacing - Per Cage | 0.12 | 0.06 | |

ABOVE WINCHING SYSTEMS INCLUDE:

| CATALOG # | ITEM DESCRIPTION | SHIP WEIGHT | | LIST PRICE |
|-----------|--|-------------|------|------------|
| | | LBS. | KG. | |
| VW1 | Winching Clamp (1 per cage) | 0.01 | 0.00 | |
| VW2 | Winching Clamp Screw (1 per cage) | 0.00 | 0.00 | |
| VWB101 | Winching Bracket for Startgrow Systems | 0.04 | 0.02 | |
| VW4 | Winching Rod | 0.03 | 0.01 | |

WINCHING KITS

CAN BE USED FOR HART, MONOFLOW, & ZIGGITY PULLET GROW SYSTEM

WINCHING KITS

| CATALOG # | ITEM DESCRIPTION | SHIP WEIGHT | | LIST PRICE |
|-----------|--|-------------|-------|------------|
| | | LBS. | KG. | |
| VW101 | Winching Kit for Startgrow Cage Watering | 22.20 | 10.07 | |

VW101 WINCHING SYSTEM INCLUDES:

| Part Number | Qty | ITEM DESCRIPTION | SHIP WEIGHT | | EXTENDED LIST PRICE |
|-------------|-----|--|-------------|------|---------------------|
| | | | LBS. | KG. | |
| VB312 | 2 | 2000 lb. overhead manual winch | 10.50 | 4.76 | #VALUE! |
| VC343 | 16 | Cable, 1/8", 7x7 galvanized | 0.02 | 0.01 | #VALUE! |
| VC354 | 10 | Cable clamp | 0.02 | 0.01 | #VALUE! |
| 780017 | 2 | Return Spring | 1.70 | 0.77 | #VALUE! |
| 615321 | 2 | PVC Spring Cover - 2' PVC Pipe (1 per winch) | 0.65 | 0.29 | #VALUE! |
| VT194 | 0.4 | 1 1/2" Plain PVC Pipe (10 FT.) | 3.25 | 1.47 | #VALUE! |

WINCHING KITS

| CATALOG # | ITEM DESCRIPTION | SHIP WEIGHT | | LIST PRICE |
|-----------|--|-------------|------|------------|
| | | LBS. | KG. | |
| VW101-B | Winching Kit for Startgrow Cage Watering | 11.69 | 5.30 | |

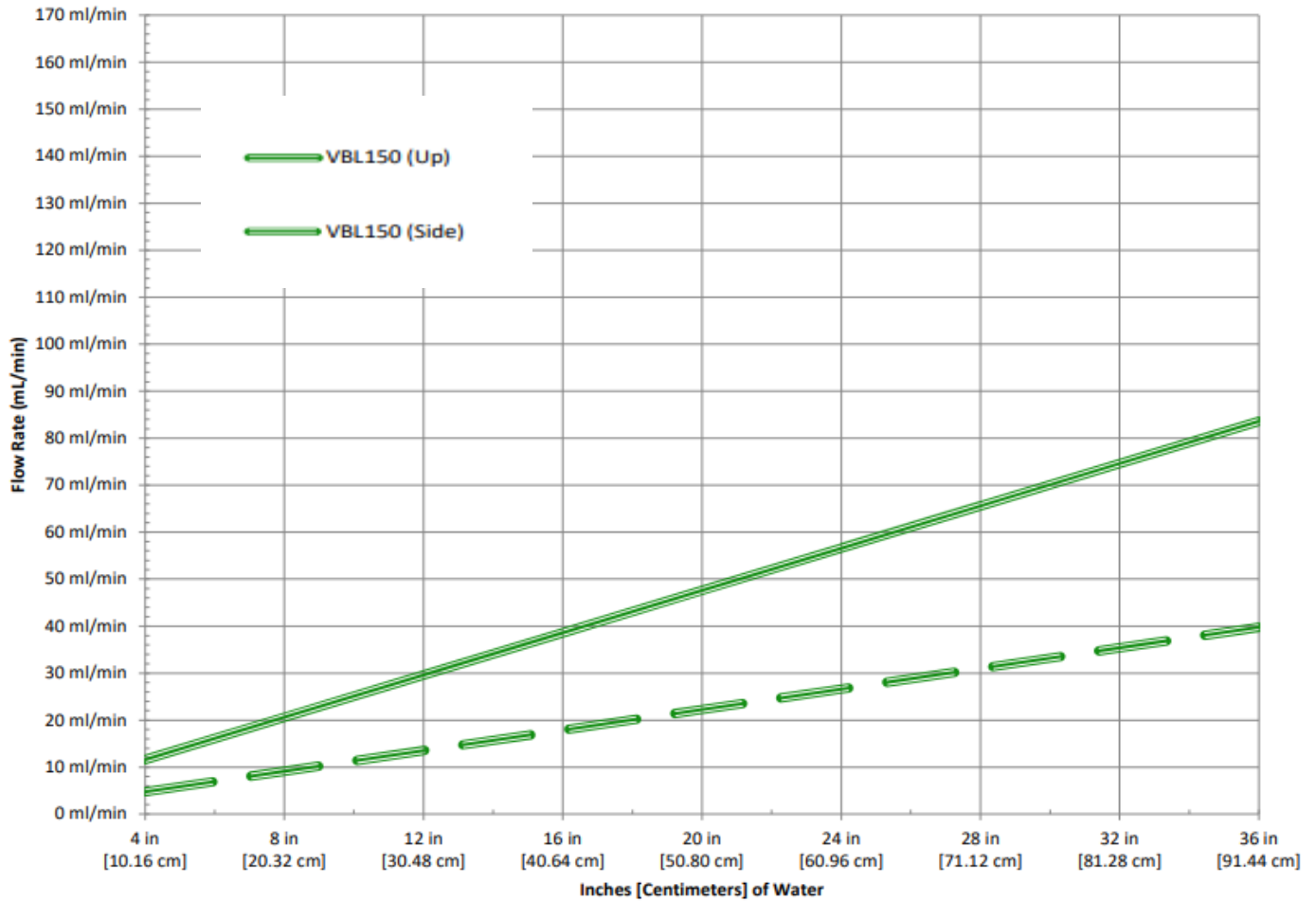
VW101-B WINCHING SYSTEM INCLUDES:

| Part Number | Qty | ITEM DESCRIPTION | SHIP WEIGHT | | EXTENDED LIST PRICE |
|-------------|-----|--|-------------|------|---------------------|
| | | | LBS. | KG. | |
| VB312 | 1 | 2000 lb. overhead manual winch | 10.50 | 4.76 | #VALUE! |
| VC343 | 16 | Cable, 1/8", 7x7 galvanized | 0.02 | 0.01 | #VALUE! |
| VC354 | 12 | Cable clamp | 0.02 | 0.01 | #VALUE! |
| 780017 | 2 | Return Spring | 1.70 | 0.77 | #VALUE! |
| 615321 | 2 | PVC Spring Cover - 2' PVC Pipe (1 per winch) | 0.65 | 0.29 | #VALUE! |
| VT194 | 0.4 | 1 1/2" Plain PVC Pipe (10 FT.) | 3.25 | 1.47 | #VALUE! |

Note: Winches to be mounted to rigid surface. (Not supplied with kits.)

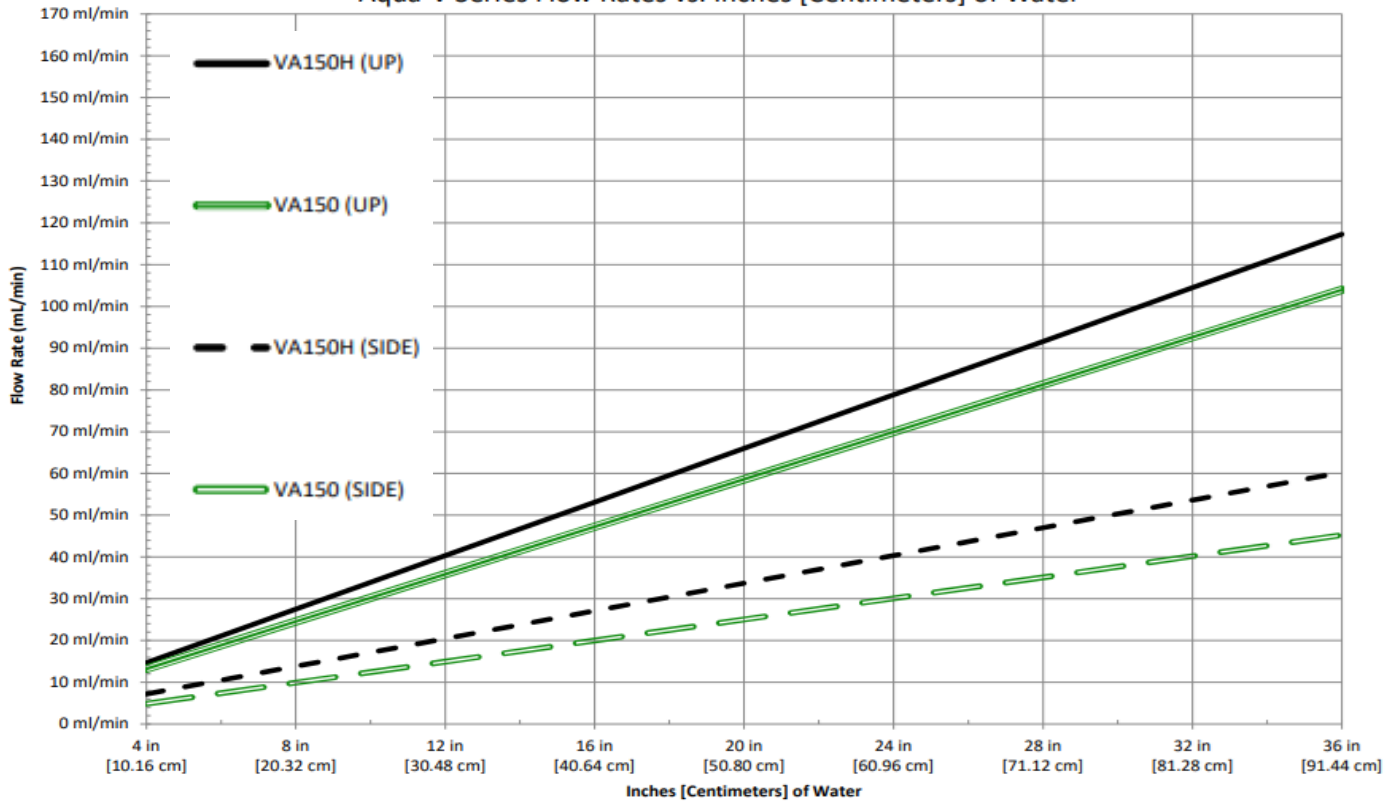
Drinker Options - Flow Rates

Broiler / Layer Drinker Flow Rates vs. Inches [Centimeters] of Water

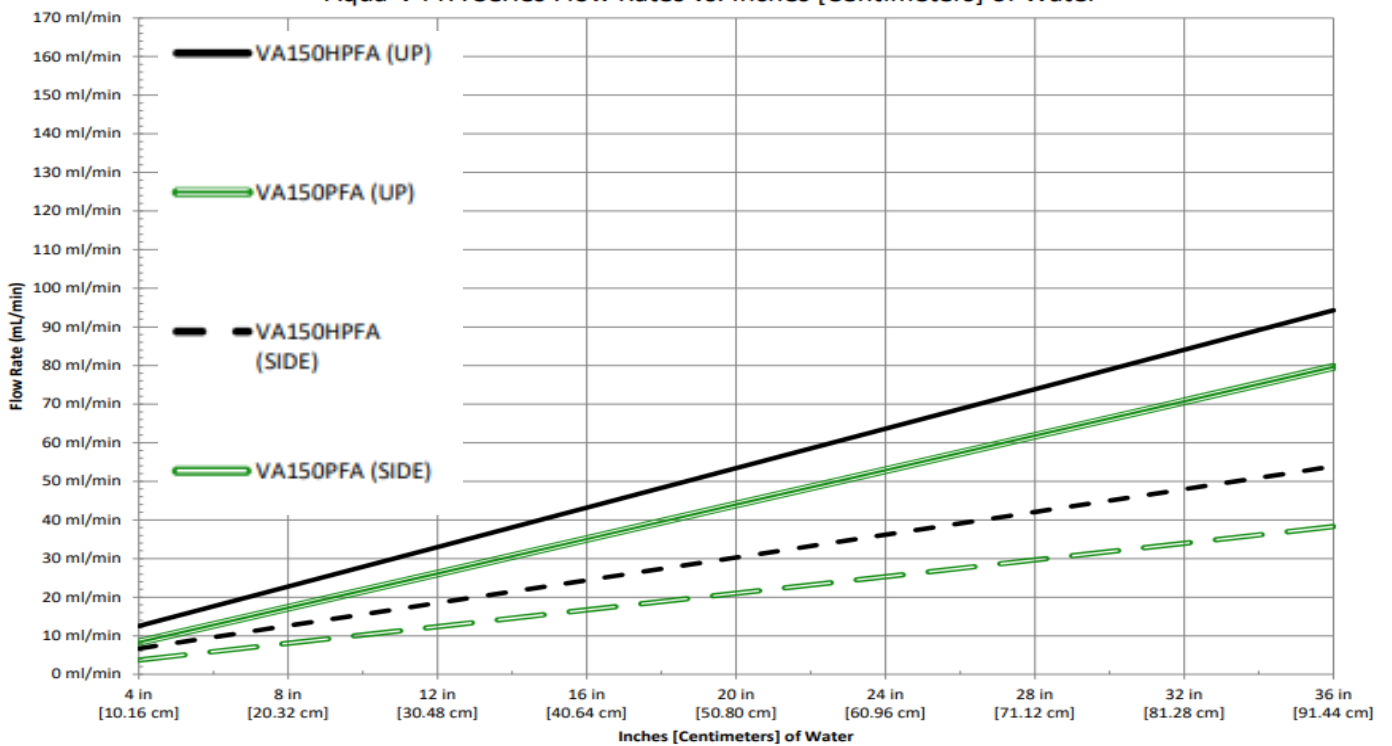


Drinker Options - Flow Rates

Aqua-V Series Flow Rates vs. Inches [Centimeters] of Water



Aqua-V PFA Series Flow Rates vs. Inches [Centimeters] of Water



START-GROW WATERING OPTIONS

| CATALOG # | ITEM DESCRIPTION | SHIP WEIGHT | | LIST PRICE |
|-----------------|---|-------------|------|------------|
| | | Lbs | KG. | |
| VD150 | Dummy Drinker | 0.01 | 0.00 | |
| VBL150 | Layer Drinker | 0.02 | 0.01 | |
| VBL150-QE100 | Layer Drinker - Quantity 100 | 2.45 | 1.11 | |
| VBL150-QE500 | Layer Drinker - Quantity 500 | 12.25 | 5.56 | |
| VA150 | Aqua-V Drinker | 0.02 | 0.01 | |
| VA150-QE100 | Aqua-V Drinker - Quantity 100 | 2.45 | 1.11 | |
| VA150-QE500 | Aqua-V Drinker - Quantity 500 | 12.25 | 5.56 | |
| VA150H | Aqua-V Drinker High Flow | 0.02 | 0.01 | |
| VA150H-QE100 | Aqua-V Drinker High Flow - Quantity 100 | 2.45 | 1.11 | |
| VA150H-QE500 | Aqua-V Drinker High Flow - Quantity 500 | 12.25 | 5.56 | |
| VA150PFA | Aqua-V Drinker High Flow PFA | 0.02 | 0.01 | |
| VA150PFA-QE100 | Aqua-V Drinker High Flow PFA - Quantity 100 | 2.45 | 1.11 | |
| VA150PFA-QE500 | Aqua-V Drinker High Flow PFA - Quantity 500 | 12.25 | 5.56 | |
| VA150HPFA | Aqua-V Drinker High Flow PFA | 0.02 | 0.01 | |
| VA150HPFA-QE100 | Aqua-V Drinker High Flow PFA - Quantity 100 | 2.45 | 1.11 | |
| VA150HPFA-QE500 | Aqua-V Drinker High Flow PFA - Quantity 500 | 12.25 | 5.56 | |
| VL150THD | Layer Drinker Threaded | 0.02 | 0.01 | |
| VL150THD-QE100 | Layer Drinker Threaded - Quantity 100 | 2.45 | 1.11 | |
| VL150THD-QE500 | Layer Drinker Threaded - Quantity 500 | 12.25 | 5.56 | |
| VR150ZS | Roaster Drinker with Ziggity Short Plug | 0.02 | 0.01 | |

Minimum order of 2000 Drinkers. Use -QE numbers for quantities less than 2000 Drinkers.

Drinker Repair Parts

| | | | | |
|------------|--|------|------|--|
| VAL-TOOL | Drinker Tool - New Style Universal | 0.03 | 0.01 | |
| VO140 | O-Ring For Val Drinker Drinkers | 0.00 | 0.00 | |
| VS146 | Saddle Standard (Replaces VS146C) | 0.01 | 0.00 | |
| VS146-Q500 | Saddle Standard (Replaces VS146C) - Box of 500 | 5.60 | 2.54 | |

Replacement Standpipe Parts

| | | | | |
|---------|--|------|------|--|
| 820294 | Direct replacement standpipe TruSeal cap for flexible standpipes | 0.05 | 0.02 | |
| 820295 | Direct replacement standpipe TruSeal cap for rigid standpipes | 0.05 | 0.02 | |
| 820348 | TruSeal rigid standpipe kit. Includes cap and float ball | 0.06 | 0.03 | |
| 820349 | TruSeal flex standpipe kit. Includes cap and float ball | 0.06 | 0.03 | |
| VC025TS | TruSeal flex cap kit includes cap and glue on adapter | 0.06 | 0.03 | |
| VC075TS | TruSeal rigid cap kit includes cap and glue on adapter | 0.06 | 0.03 | |
| VS130 | Spring for 18" flex standpipe when using TruSeal Cap | 0.17 | 0.07 | |
| VS132 | Spring for 24" flex standpipe when using TruSeal Cap | 0.23 | 0.10 | |
| VS133 | Spring for 30" flex standpipe when using TruSeal Cap | 0.24 | 0.11 | |
| VS134 | Spring for 36" flex standpipe when using TruSeal Cap | 0.34 | 0.15 | |
| VSP12RA | RIGID SP ASSY, 12", 1/2" NPT | 0.15 | 0.07 | |
| VSP18RA | RIGID SP ASSY, 18", 1/2" NPT | 0.19 | 0.09 | |
| VSP24RA | RIGID SP ASSY, 24", 1/2" NPT | 0.23 | 0.11 | |
| VSP30RA | RIGID SP ASSY, 30", 1/2" NPT | 0.27 | 0.12 | |
| VSP36RA | RIGID SP ASSY, 36", 1/2" NPT | 0.32 | 0.14 | |
| VSP24FY | FLEX SP ASSY, 24", Replacement [Flex Tube & Truseal] | 0.11 | 0.05 | |



START-GROW WATERING OPTIONS

PVC PIPE & CONNECTORS

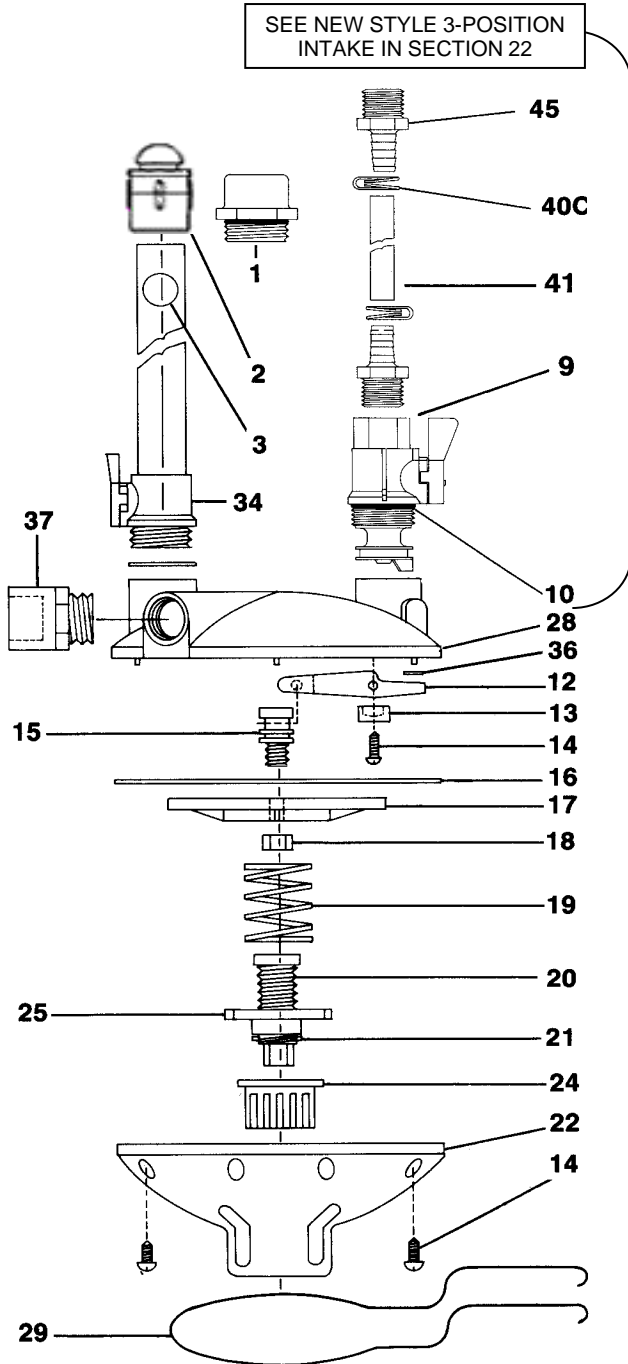
NOTE: Call for order info, pricing and availability of pipe only (PVC pipe with glued saddles)

| CATALOG # | ITEM DESCRIPTION | SHIP WEIGHT | | LIST PRICE |
|-----------|--|-------------|------|------------|
| | | LBS. | KG. | |
| VC100 | PVC Pipe Cutter (1 1/4" Max Diameter) | 1.05 | 0.48 | |
| 730415 | PVC Cement Glue (1/2 Pint) | 1.00 | 0.45 | |
| VG124 | PVC Cement Glue (Pint) | 1.14 | 0.52 | |
| VG125 | PVC Cement Glue (Quart) | 2.14 | 0.97 | |
| VC210 | PVC Cleaner (1/2 Pint) | 0.59 | 0.27 | |
| VP001 | 10' x 3/4" Plain PVC Pipe | 1.24 | 0.56 | |
| VP008 | 8' X 3/4" Plain PVC Pipe | 0.93 | 0.42 | |
| VC145 | 3/4" Coupler W/ O-Ring | 0.06 | 0.03 | |
| BG220 | 10' .875" Small Square PVC Pipe | 0.09 | 0.04 | |
| VC243 | Square-to-Round Connector (Large square pipe) | 0.02 | 0.01 | |
| VC143 | Square-to-Round Connector (small square pipe) | 0.02 | 0.01 | |
| 820270 | Square-to-Square Flex Connector Assembly (small square pipe) | 0.07 | 0.03 | |
| 820271 | Square-to-Square Flex Connector Assembly (large square pipe) | 0.06 | 0.03 | |

PVC FITTINGS

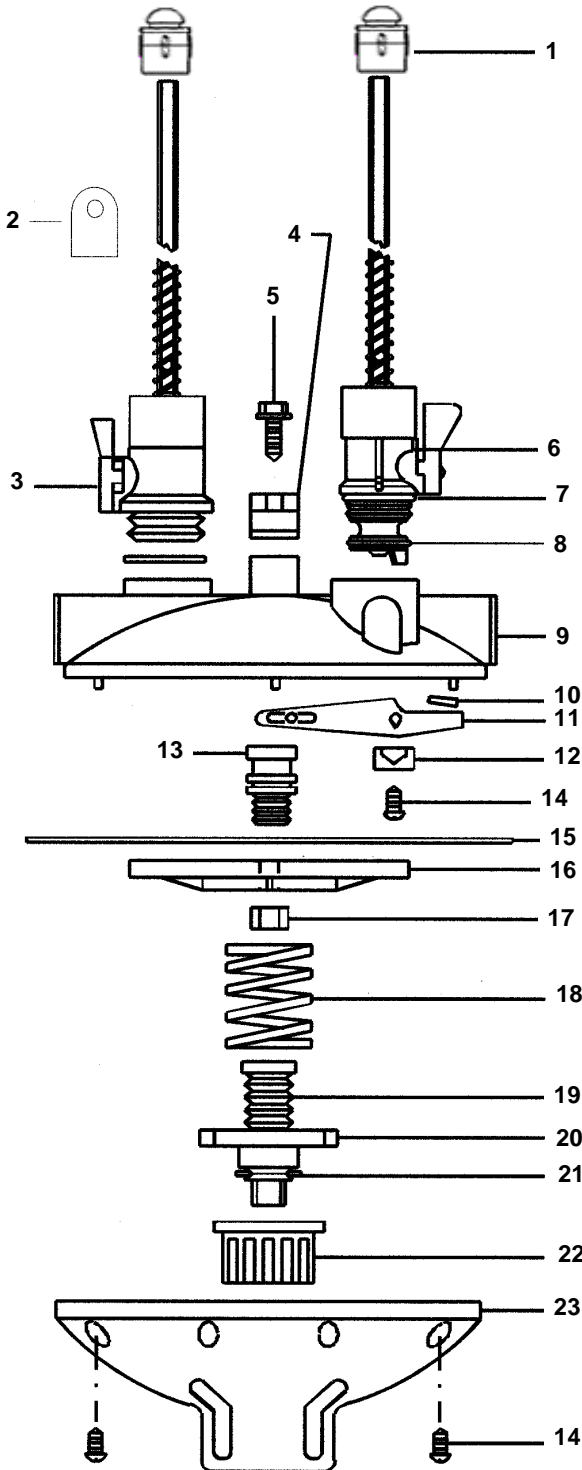
| | | | | |
|-------|---|------|------|--|
| VC146 | 3/4" PVC Coupling SXS | 0.30 | 0.14 | |
| VC148 | 3/4" PVC Cross SXSXSXS | 0.01 | 0.00 | |
| VC400 | 3/4" PVC Cap | 0.04 | 0.02 | |
| VT100 | 3/4" PVC Tee SXSXS | 0.01 | 0.00 | |
| VT101 | 3/4" PVC Tee SXSX 1/2" Thread | 0.10 | 0.04 | |
| VT102 | 3/4" PVC 90 Ell SXS | 0.08 | 0.04 | |
| VT106 | 3/4" Female Slip X 1/2" FPT PVC Reducer | 0.05 | 0.02 | |
| VT107 | 3/4" Male Slip X 1/2" FPT Bushing | 0.03 | 0.01 | |
| VT130 | 3/4" PVC Tee SXSX Thread | 0.01 | 0.00 | |
| VT131 | 3/4" PVC Male Adapter SX Thread | 0.04 | 0.02 | |
| VT132 | 3/4" PVC Female Adapter SX Thread | 0.05 | 0.02 | |
| VT133 | 3/4" PVC 90 ELL SX Thread | 0.04 | 0.02 | |
| VT134 | 3/4" PVC 90 ELL SX 1/2" Thread | 0.07 | 0.03 | |
| VT135 | 3/4" PVC 90 Degree ELL SX 1/2" S | 0.01 | 0.00 | |
| VT141 | 1" PVC Male Adapter Thread X 3/4" S | 0.01 | 0.00 | |
| VT188 | 1/2" PVC Male Adapter 1/2" Slip X 1/2" Thread | 0.03 | 0.02 | |
| VT189 | 3/4" PVC Bushing SX 1/2" S Reducer | 0.02 | 0.01 | |
| VT190 | 1/2" PVC Tee SXSXS | 0.00 | 0.00 | |
| VT191 | 1/2" Coupling SXS | 0.03 | 0.01 | |
| VT192 | 1/2" PVC 90N ELL SXS | 1.42 | 0.64 | |
| VT195 | 1 1/2" X 3/4" Bushing SXS | 0.12 | 0.05 | |
| VT196 | 1 1/2" PVC Cross DWV Fitting | 7.16 | 3.25 | |
| VT197 | 1/2" Union SXS | 0.01 | 0.00 | |
| VT198 | 1 1/2" PVC Coupler | 0.16 | 0.07 | |
| VT199 | 1 1/2" PVC Tee | 0.16 | 0.07 | |
| VT200 | 1 1/2" 90 Degree PVC ELL | 0.28 | 0.13 | |
| VT201 | 3/4" X 3/4" X 1/2" Tee SXSXS | 0.10 | 0.05 | |
| VT202 | Bushing 1-1/2" X 1/2" THD. | 0.10 | 0.04 | |
| VT203 | Bushing 1-1/2" X 1/2" S | 0.00 | 0.00 | |
| VT204 | Socket 1-1/2" X 1-1/2" Barbed | 0.14 | 0.06 | |
| VT205 | PVC Tube Plug | 0.03 | 0.01 | |
| VX127 | 3/4" UNION S X S | 0.16 | 0.07 | |

VR-201 V-MAX REGULATOR



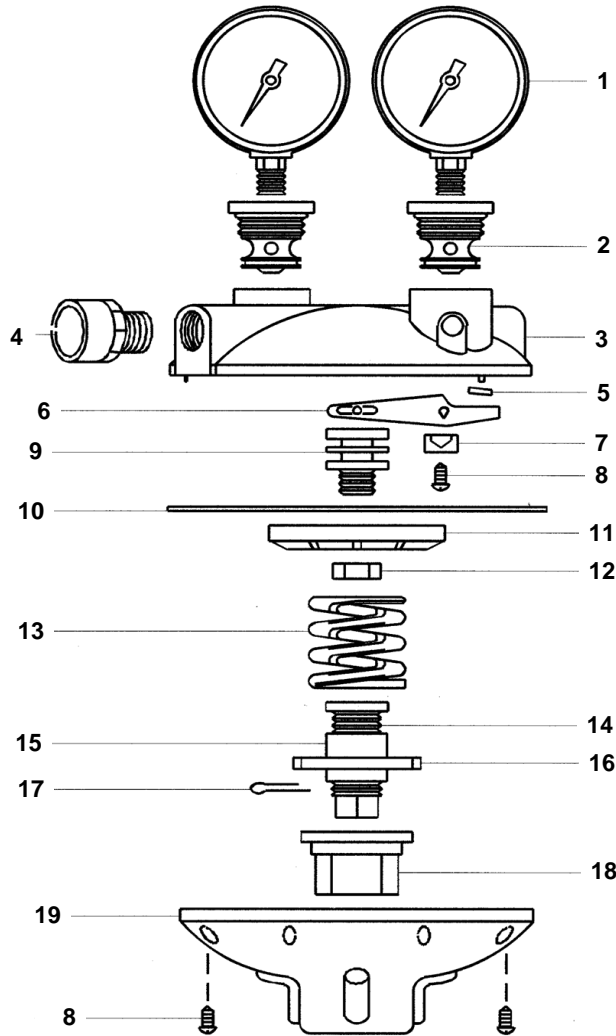
| KEY | PART # | DESCRIPTION |
|-----|--------|---|
| 1 | VRP38 | Regulator Plug |
| 2 | 820294 | Rigid TruSeal |
| 3 | VRP03 | Standpipe Ball |
| 9 | VRP09 | 1/2" NPT Intake With Shutoff |
| | VRP09L | Low Pressure 1/2" NPT Intake W/Shutoff |
| 10 | VO145 | O-Ring (Coupler) |
| 12 | VRP12G | Pivot |
| 13 | VRP13 | Pivot Screw (2) |
| 14 | VRP14 | Screw - Pivot Brkt (2) - Housing (9) |
| 15 | VRP15 | Diaphragm Bolt |
| 16 | VRP16 | Diaphragm |
| 17 | VRP52 | Diaphragm Plate |
| 18 | VRP18 | Diaphragm Nut |
| 19 | VRP19 | Spring |
| 20 | VRP20 | Adjustment Bolt |
| 21 | VRP21 | Adjustment Bolt Pin |
| 22 | VRP22 | Bottom Housing |
| 24 | VRP24 | Adjustment Knob |
| 25 | VRP25 | Adjustment collar |
| 28 | VRP28 | Top Housing |
| 29 | VRP29 | Optional Mounting Bracket |
| 34 | | Standpipe (see page 25-04) |
| 36 | VRP36G | Seal |
| 37 | VT131 | 3/4" Male Adapter |
| 40 | VF204C | 3/8" Hose Clamp |
| 41 | VRP48 | PVC Yellow Reinforced Hose 3/8" 200 PSI |
| 45 | VRP45 | 1/2" Threaded Male Barb Hose Connector |

VR-204 V-MAX REGULATOR



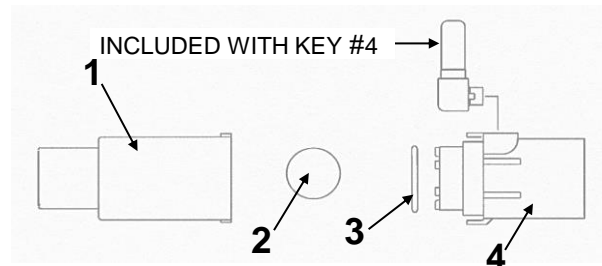
| KEY | PART # | DESCRIPTION |
|-----|---------|---|
| 1 | 820295 | TruSeal Cap for Flex Standpipe |
| 2 | VRP42 | (2) Mounting Brackets for Aluminum Extrusion |
| 3 | | Standpipe - See page 22-04 |
| 4 | VRP06 | Pipe Clamp |
| 5 | VRP05-1 | Screws for Pipe Clamp & Filter Bracket |
| 6 | | Standpipe - See page 22-04 |
| 7 | VO145 | O-Ring for 3/4" Couplings |
| 8 | VRP31 | O-Ring Seal |
| 9 | VRP32 | Top Housing |
| 10 | VRP36G | Rubber Wafer Replacement |
| 11 | VRP12G | Pivot |
| 12 | VRP13 | Pivot Brackets (Multiples of 2) |
| 13 | VRP15 | Diaphragm Bolt |
| 14 | VRP14 | Screw - 2 for Pivot Bracket or 9 for Bottom Housing |
| 15 | VRP16 | Diaphragm |
| 16 | VRP52 | Diaphragm Plate |
| 17 | VRP18 | Diaphragm Nut |
| 18 | VRP19 | Spring |
| 19 | VRP20 | Adjustment Bolt |
| 20 | VRP25 | Adjustment Collar |
| 21 | VRP21 | Adjustment Bolt Pin |
| 22 | VRP24 | Adjustment Knob |
| 23 | VRP22 | Bottom Housing |

VR-205 V-MAX REGULATOR



| KEY | PART # | |
|-----|--------|---|
| 1 | VG100 | Oil Filled Pressure Gauge (0-100 PSI) |
| 2 | VRP57 | Gauge Intake |
| 3 | VRP58 | Top Housing |
| 4 | VT131 | 3/4" PVC Male Adapter SX thread |
| 5 | VRP36G | Rubber Wafer Replacement |
| 6 | VRP12G | Pivot - New Style |
| 7 | VRP13 | Pivot Brackets |
| 8 | VRP14 | Screw - 2 for Pivot Bracket or 9 for Bottom Housing |
| 9 | VRP15 | Diaphragm Bolt |
| 10 | VRP51 | Diaphragm |
| 11 | VRP52 | Diaphragm Plate |
| 12 | VRP18 | Diaphragm Nut |
| 13 | VRP53 | Spring |
| 14 | VRP20 | Adjustment Bolt Pin |
| 15 | VRP50 | Diaphragm Spacer |
| | 820224 | Diaphragm 1/2 Spacer |
| 16 | VRP25 | Adjustment Collar |
| 17 | VRP21 | Adjustment Bolt Pin |
| 18 | VRP55 | Adjustment Knob |
| 19 | VRP54 | Bottom Housing |

VR209 REGULATOR REPAIRS



| KEY | PART # | ITEM DESCRIPTION | List Price |
|-----|--------|---|------------|
| 1 | VRP90 | Left Housing with Stainless Steel Seat (SS Ball NOT Included) <i>Note: This part may be used in place of Left Housing & Plunger on VR208 Regulator to convert to New Style VR209 Regulator.</i> | |
| 2 | VRP94 | Stainless Steel Ball Only - 18mm 440CSS, Grade 25 | |
| 3 | VO145 | O-Ring for 3/4" Couplings | |
| 4 | VRP78 | Right Housing with O-ring | |



REGULATOR REPAIRS

| NUMERICAL LIST OF REGULATOR REPAIRS | | SHIP WEIGHT | | LIST PRICE |
|-------------------------------------|---|-------------|------|------------|
| | | LBS. | KGS. | |
| CATALOG # | ITEM DESCRIPTION | | | |
| 820294 | Auto Shutoff Cap for Flex Standpipe | 0.05 | 0.02 | |
| 820295 | Auto Shutoff Cap for Rigid Standpipe | 0.05 | 0.02 | |
| 820334 | Auto Shutoff Cap Replacement Seal for Flex Standpipe | 0.00 | 0.00 | |
| 820335 | Auto Shutoff Cap Replacement Seal for Rigid Standpipe | 0.00 | 0.00 | |
| PMHC3/4 | 3/4" Hose Clamp (2 req'd) | 0.04 | 0.01 | |
| PMTT6 | 7.5" Wire Tie | 0.00 | 0.01 | |
| RFV150 | Flushing Intake Housing | 0.18 | 0.08 | |
| RFV151 | Flushing Intake Cap | 0.05 | 0.02 | |
| RFV152 | Flushing Intake Handle | 0.04 | 0.02 | |
| RFV153L | Flushing Intake Shaft Low Pressure | 0.12 | 0.05 | |
| RFV153S | Flushing Intake Shaft High Pressure | 0.12 | 0.05 | |
| RFV154 | (2) Large O-Ring for RFV153 | 0.00 | 0.00 | |
| RFV155 | (2) Small O-Ring for RFV153 | 0.00 | 0.00 | |
| RFV160 | 3-Position Intake | 0.41 | 0.18 | |
| RFV160L | 3-Position Intake (Low Pressure) | 0.41 | 0.18 | |
| VF204C | Hose Clamp for 3/8" Urethane | 0.01 | 0.01 | |
| VG100 | Oil Filled Pressure Gauge (0-100 PSI) | 0.50 | 0.23 | |
| VG100L | Oil Filled Pressure Gauge (0-15 PSI) | 0.50 | 0.23 | |
| VO145 | O-Ring for 3/4" Couplings | 0.00 | 0.00 | |
| VO145S | O-Ring for RFV150 | 0.00 | 0.00 | |
| VR202RK | Rebuild Kit for VR 202 | 1.14 | 0.52 | |
| VRP03 | 5/8" Blue Rigid Standpipe Ball | 0.01 | 0.00 | |
| VRP03F | 5/16 Blue Flex Standpipe Ball | 0.00 | 0.00 | |
| VRP05-1 | Screws for Pipe Clamp & Filter Bracket | 0.01 | 0.00 | |
| VRP06 | Pipe Clamp | 0.06 | 0.03 | |
| VRP09 | 1/2" NPT Intake With Shutoff | 0.13 | 0.06 | |
| VRP09L | 1/2" NPT Low Press Intake With S/O | 0.09 | 0.04 | |
| VRP11 | Top Housing - VR202 Regulator | 0.56 | 0.25 | |
| VRP119 | O-Ring for Bottom of RVH114 | 0.00 | 0.00 | |
| VRP12G | Pivot - New Style | 0.03 | 0.01 | |
| VRP13 | Pivot Brackets (Multiples of 2) | 0.00 | 0.00 | |
| VRP14 | Screw - 2 for Bracket or 9 for Bottom Housing | 0.00 | 0.00 | |
| VRP15 | Diaphragm Bolt | 0.02 | 0.01 | |
| VRP16 | Diaphragm | 0.14 | 0.06 | |
| VRP18 | Diaphragm Nut | 0.03 | 0.01 | |
| VRP19 | Spring | 0.05 | 0.02 | |
| VRP20 | Adjustment Bolt Pin | 0.03 | 0.01 | |
| VRP21 | Adjustment Bolt Pin | 0.00 | 0.00 | |
| VRP22 | Bottom Housing | 0.47 | 0.21 | |
| VRP23 | Top Housing - VR203 Regulator | 0.60 | 0.27 | |

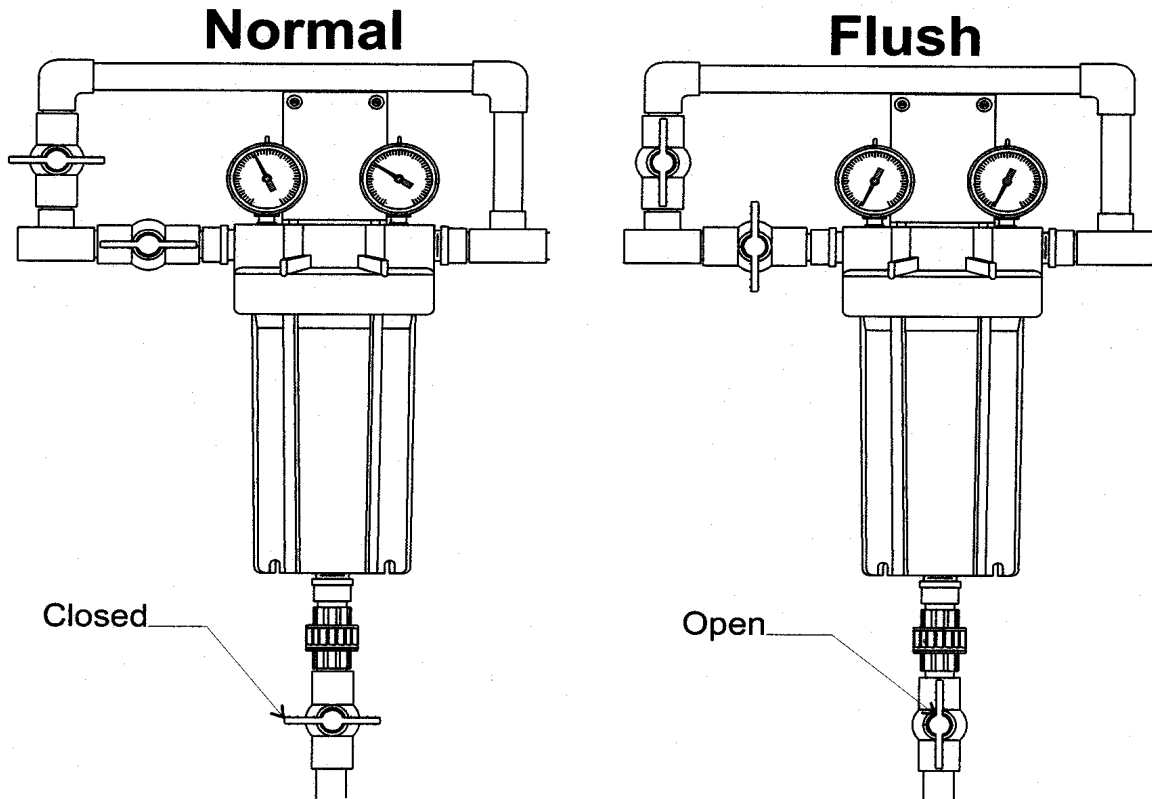
LISTING CONTINUED ON NEXT PAGE



REGULATOR REPAIRS

| NUMERICAL LIST OF REGULATOR REPAIRS | | SHIP WEIGHT | | LIST PRICE |
|-------------------------------------|---|-------------|------|------------|
| | | LBS. | KGS. | |
| CATALOG # | ITEM DESCRIPTION | | | |
| VRP24 | Adjustment Knob | 0.07 | 0.03 | |
| VRP25 | Adjustment Collar | 0.03 | 0.01 | |
| VRP28 | Top Housing - VR201 Regulator | 0.54 | 0.25 | |
| VRP29 | Regulator Mounting Bracket to Cage | 0.39 | 0.18 | |
| VRP30F | Intake With Shutoff (Flex) | 0.12 | 0.05 | |
| VRP31 | O-Ring Seal - .867" ID | 0.00 | 0.00 | |
| VRP32 | Top Housing - VR204 Regulator | 0.61 | 0.28 | |
| VRP38 | Regulator Plug | 0.04 | 0.28 | |
| VRP36G | Rubber Wafer Replacement | 0.00 | 0.00 | |
| VRP42 | Set of 2 Mounting Brackets for Aluminum Extrusion | 0.01 | 0.00 | |
| VRP45 | 1/2" Threaded Male Hose Connector (3/8" Barb) | 0.01 | 0.00 | |
| VRP48 | PVC Yellow Reinforced Hose 3/8" 200 PSI (Drop Hose) | 0.08 | 0.04 | |
| VRP50 | Diaphragm Spacer | 0.01 | 0.01 | |
| VRP51 | Diaphragm | 0.15 | 0.07 | |
| VRP52 | Diaphragm Plate | 0.09 | 0.04 | |
| VRP53 | Spring | 0.31 | 0.14 | |
| VRP54 | Bottom Housing | 0.45 | 0.20 | |
| VRP55 | Adjustment Knob | 0.07 | 0.03 | |
| VRP57 | Gauge Intake | 0.04 | 0.02 | |
| VRP58 | Top Housing - VR205 Regulator | 0.53 | 0.24 | |
| VRP66 | 3/4" Barbed x 1/2" Male NPT Straight Fitting | 0.01 | 0.01 | |
| VRP67 | 3/4" Barbed Elbow x Female 3/4" NPT | 0.06 | 0.03 | |
| VRP67S | 3/4" Barb x Female 3/4" NPT | 0.05 | 0.03 | |
| VRP68 | 3/4" Barbed Y Connector | 0.05 | 0.03 | |
| VRP76 | 3/4" Close Nipple Plastic | 0.03 | 0.03 | |
| VRP79 | 3/4" ID Yellow Hose - Per Foot | 0.22 | 0.10 | |
| VRP90 | Left Housing With Stainless Steel Ball | 0.11 | 0.05 | |
| VRP94 | Stainless Steel Ball Only - 18MM 440CSS, Grade 25 | 0.05 | 0.02 | |
| VS130 | Spring for 18" Flex Standpipe | 0.17 | 0.07 | |
| VS132 | Spring for 24" Flex Standpipes | 0.23 | 0.10 | |
| VS133 | Spring for 30" Flex Standpipes | 0.24 | 0.10 | |
| VS134 | Spring for 36" Flex Standpipes | 0.34 | 0.10 | |
| VSC250 | Body Only for VC025 | 0.00 | 0.00 | |
| VSC251 | Cap Only for VC025 | 0.01 | 0.00 | |
| 820335 | Seal for VC025 | 0.00 | 0.00 | |
| VSC750 | Body Only for VC075 | 0.01 | 0.00 | |
| VSC751 | Cap Only for VC075 | 0.01 | 0.01 | |
| 820334 | Seal for VC075 | 0.00 | 0.00 | |
| VT131 | 3/4" PVC Male Adapter SX Thread | 0.04 | 0.00 | |

FILTER KIT REPAIRS



| CATALOG NUMBER | ITEM DESCRIPTION | LIST PRICE |
|----------------|---|------------|
| VF123 | Bottom Housing for VF121 and VF122 | |
| VF125 | O-Ring for VF120 Filter Kit | |
| VF126 | O-Ring for VF121 and VF122 Filter Kit | |
| VF128 | Filter Bracket (Aluminum) | |
| VF129 | Lid for Filter | |
| VG100 | Oil Filled Pressure Gauge (0-100 PSI) | |
| VG100L | Oil Filled Pressure Gauge (0-15 PSI) | |
| VM121-10 | Reusable Filter Cartridge for VF121/Vf122 (10 Micron) - Blue Dot | |
| VM121-30 | Filter Cart. Poly - Fibrillated VF121/122 (30 Micron) - Black Dot | |
| VM121-50 | Filter Cart. Poly - Fibrillated VF121/VF122 (50 Micron) - Red Dot | |
| VT131 | 3/4" PVC Male Adapter S X Thread | |
| VT141 | 1" PVC Male Adapter 1" Thread X 3/4" S | |
| VX127 | 3/4" Union S X S | |