



SECTION 06 VOLUME DROPS

IN THIS CATALOG SECTION

| PAGE NUMBER | CONTENTS |
|------------------|---|
| 06-02 | How To Order A Volume Drop System |
| 06-03 | Volume Drops - End Control Drops - Farrowing Tube Drops |
| 06-04 thru 06-06 | Drop Tubes - Trip Kits - Winches - Trip Cable |

SECTION 06

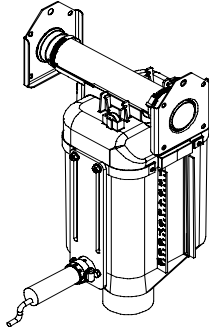
VOLUME DROPS

HOW TO ORDER A VOLUME DROP SYSTEM

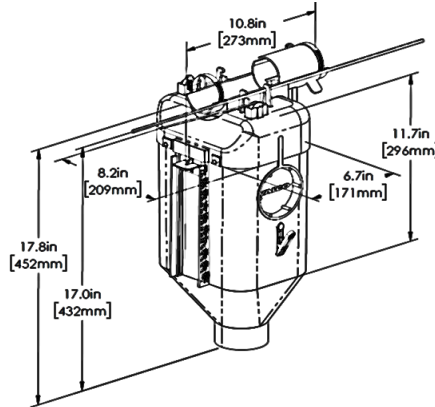
- 1.** Order Bulk Bin and Model 720 Flexible Auger Fill System or Chain Disk System from separate catalog sections. If using a flexible auger fill system, delete the discharge head from your fill system order.
- 2.** Order one end control drop or proximity sensor per line.
- 3.** Order the required number of volume drops.
- 4.** Order downspout tube and other accessories if needed.
- 5.** Order manual trip kit or winch and accessories as needed, including trip cable. If tripping by winch, be sure to order 1 - 750051 Winch Accessory Kit per winch.

VOLUME DROPS

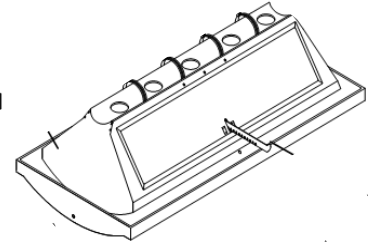
780200 SURE-DROP END CONTROL UNIT



780100 SURE-DROP



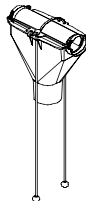
760000 - GROUP FEEDING DROP



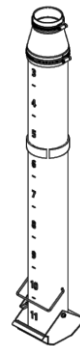
SURE-DROP VOLUME DROP

| CATALOG # | ITEM DESCRIPTION | SHIP WEIGHT | | LIST PRICE |
|-----------|--|-------------|------|------------|
| | | LBS. | KG. | |
| 780100 | SURE-DROP Volume Drop With Mounting Hardware (for Model 720 2.25" Systems & Chain Disk Systems) | 2.99 | 1.4 | |
| 780200 | SURE-DROP End Control Drop With Mounting Hardware, Proximity Sensor, Switch Mount and Relay (for Model 720 2.25" Fill Systems Only) | 10.07 | 4.6 | |
| 780350 | Tube Mounted 220V Proximity Sensor for Chain Disk Systems (for use on Clear Tube Only) | 1.70 | 0.8 | |
| 760000 | Group Feeding Volumetric Drop* - 3" Fill System - Box of two (2) | 56.60 | 25.7 | |
| 760029 | Control Kit for Group Feeding Volumetric Drop Converts any 760000 Drop into a control drop (Drop not included) Includes: Mounting Port Tube, Relay Control Box, Proximity Sensor | 7.50 | 3.4 | |

*Max capacity of 50#, dependent on feed density



720550
2.25"-2.36" All-Out Drop



780401
SURE-DROP Farrowing Tube Drop

FARROWING TUBE DROP

| CATALOG # | ITEM DESCRIPTION | SHIP WEIGHT | | LIST PRICE |
|-----------|---|-------------|------|------------|
| | | LBS. | KG. | |
| 720550 | 2.25"-2.36" All-Out Poly Drop With Shutoff; fits Model 720 2.25" Fill Systems and 60mm Chain Disk Systems | 1.30 | 0.59 | |
| 780401 | SURE-DROP 12# Manual Farrowing Tube Drop connects to 720550 All-Out Drop with (1) 730431 SS downspout clamp (req'd) | 4.30 | 1.95 | |
| 780428 | Feed Commander Infra-Red Feed Sensor for 780401 4" Farrowing Tube Drop | 1.64 | 0.74 | |
| 730431 | 3" SS Downspout Clamp | 0.10 | 0.05 | |

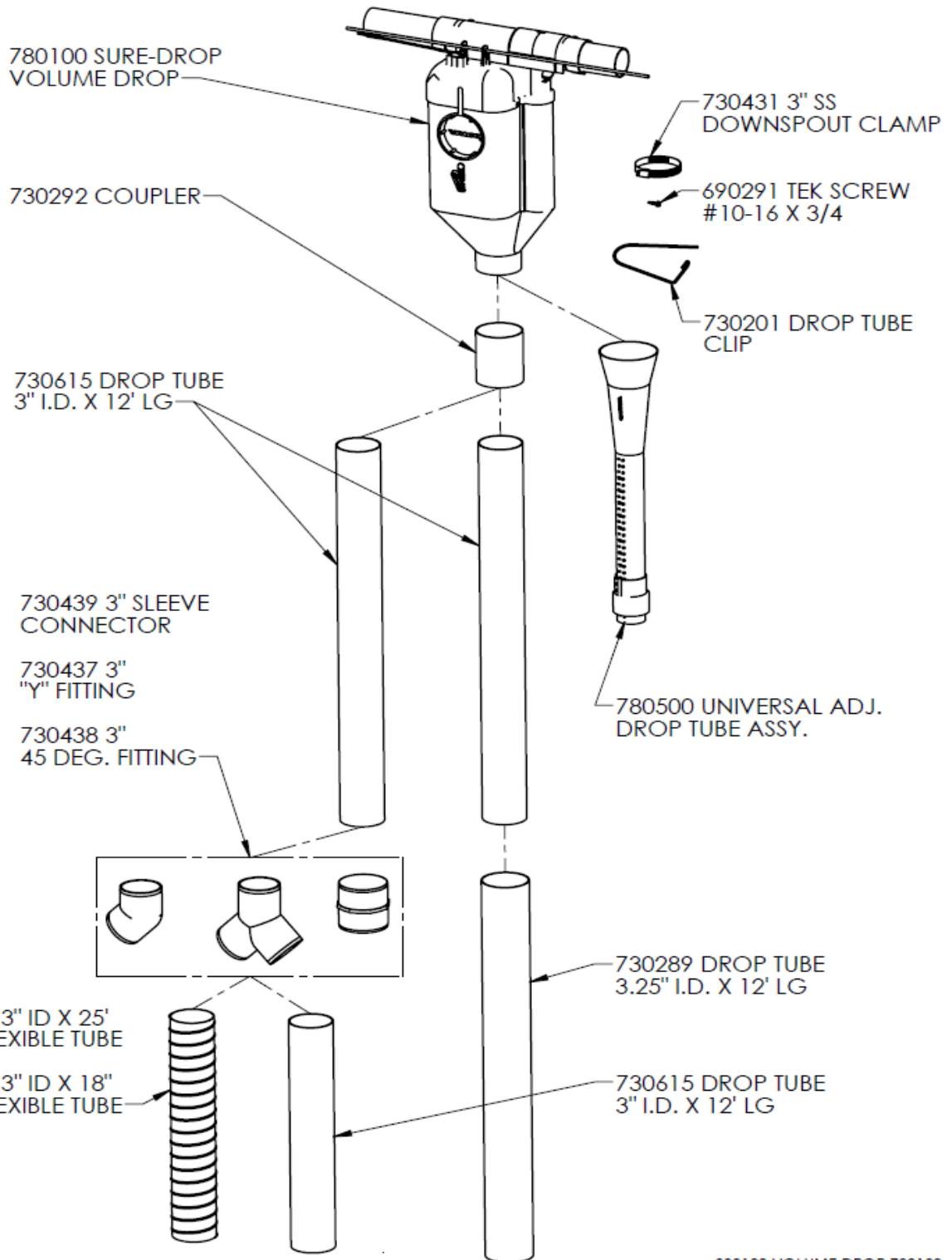


VOLUME DROP DOWNSPOUT TUBES

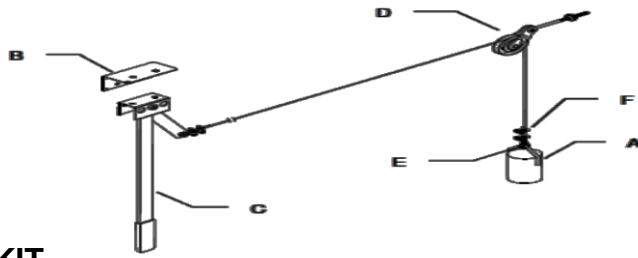
| DROP TUBES | | SHIP WEIGHT | | LIST PRICE |
|------------|--|-------------|-----|------------|
| CATALOG # | ITEM DESCRIPTION | LBS. | KG. | |
| 780500 | 12" to 20" Adj. Drop Tube Assy. Connects 780100 to G-stall drop tube | 0.80 | 0.4 | |
| 730292 | Coupler | 0.10 | 0.0 | |
| 730431 | 3" Stainless Steel Downspout Clamp | 0.10 | 0.0 | |
| 690291 | TEK Screw #10-16 X 3/4 | 0.02 | 0.0 | |
| 730289 | 3.25" I.D. x 12' Downspout Pipe Fits over 730615; connect with (1) 730201 | 3.08 | 1.4 | |
| 730615 | 3" I.D. X 12' Long Downspout Pipe | 3.00 | 1.4 | |
| 730449 | 3" I.D. X 18" pvc flexible tube | 0.40 | 0.2 | |
| 730480 | 3" I.D. X 25' pvc flexible tube | 14.80 | 6.7 | |
| 730201 | Drop Tube Wire Clip | 0.10 | 0.0 | |
| 730445 | 3.5" Stainless Steel Downspout Clamp | 0.08 | 0.0 | |
| 730437 | 3" "Y" Fitting | 0.40 | 0.2 | |
| 730438 | 3" 45 DEG. Fitting | 0.20 | 0.1 | |
| 735439 | 3.5" Downspout Sleeve Connector; connects to 730437, 730438 | 0.10 | 0.0 | |

For more information on drop tube components see page 06-05

SURE-DROP VOLUME DROP DOWNSPOUT TUBES

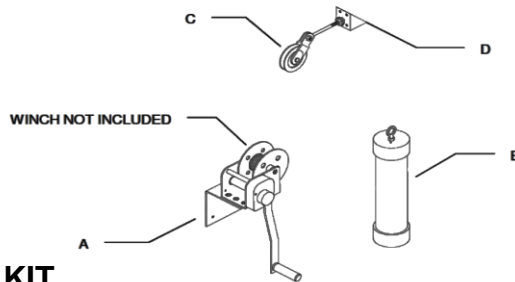


MANUAL TRIP KIT & WINCHES



MANUAL TRIP KIT

| CATALOG # | ITEM DESCRIPTION | SHIP WEIGHT | | LIST PRICE |
|-----------|---|-------------|-----|------------|
| | | LBS. | KG. | |
| 750027 | Manual Trip Kit for Volume Drops - Includes Lever, Pulley, Mounting Brackets, Counterweight and Installation Hardware - 1/8" cable not included. (Handles up to 30 drops) | 20.80 | 9.4 | |



WINCH ACCESSORY KIT

| CATALOG # | ITEM DESCRIPTION | SHIP WEIGHT | | LIST PRICE |
|-----------|---|-------------|-----|------------|
| | | LBS. | KG. | |
| 750051 | Winch Accessory Kit With Pulleys, Mounting Brackets, Counterweight and Installation Hardware - For Volume Drops - Winch is NOT Included - Order Separately (VB317 handles up to 150 drops, VB315 up to 110 drops) | 21.05 | 9.5 | |

For more winching accessories please see Section 19 of this catalogue